



KEOFITT SINGLE PORT W9



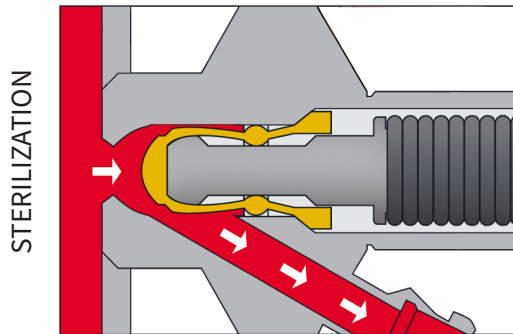
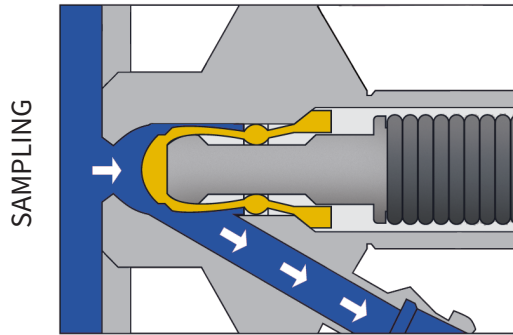
KEOFITT SINGLE-PORT SAMPLING VALVE

Replace your ordinary, non-hygienic sampling cocks with the KEOFITT Single-Port Sampling Valve.

This valve is CIP-able with process CIP and still true to the KEOFITT concept, as it is available with various process connections with manual or pneumatic operation.



HOW IT WORKS



KEOFITT SINGLE-PORT W9™ SAMPLING VALVE

The KEOFITT Single-Port W9™ sampling valve is our solution for CIP-able sampling from less demanding applications. If the KEOFITT Single-Port sampling valve BASIX™ does not cover your need due its smaller size, the 9mm outlet on the Single-Port W9 will do the job. With the W9-solution you have the added benefit of choosing products from a selected range within the W9 product outline.

This valve is designed for sampling of products with a viscosity of 0-1000 cP with particles up to 3 mm in diameter.






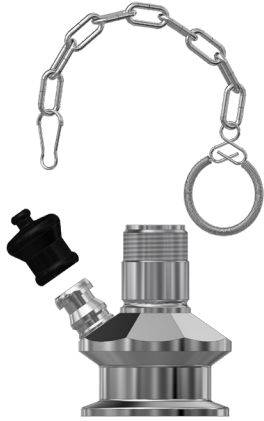
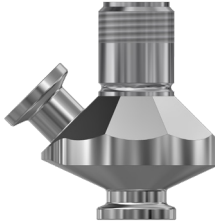
The Single-Port W9 valve is usable for simple, hygienic sampling in all industries for products such as:

- Water
- Milk
- Perfume
- Fruit juice

Available in many versions; choose your preferred type of head from our W9 product outline.



KEOFITT W9 SINGLE-PORT BODIES

W9 SINGLE-PORT BODIES	WELDING BODIES		CONNECTION BODIES			
	TANK WELDING	PIPE WELDING	VARIVENT Ø50	VARIVENT Ø68	MINI CLAMP	CLAMP 1" & 1 1/2"
HOSE PIECE	 <p>850001-1</p>	 <p>850011-1</p>	 <p>850008-1</p>	 <p>850009-1</p>	 <p>850036-1</p>	 <p>850021-1</p>
1/2" TRI-CLAMP	<p><i>on request</i></p>	<p><i>on request</i></p>	<p><i>on request</i></p>	<p><i>on request</i></p>	 <p>850039-1</p>	<p><i>on request</i></p>

* CHOOSE VALVE HEAD AND PARTS & ACCESSORIES FROM THE W9 SECTION

HOW IT WORKS

