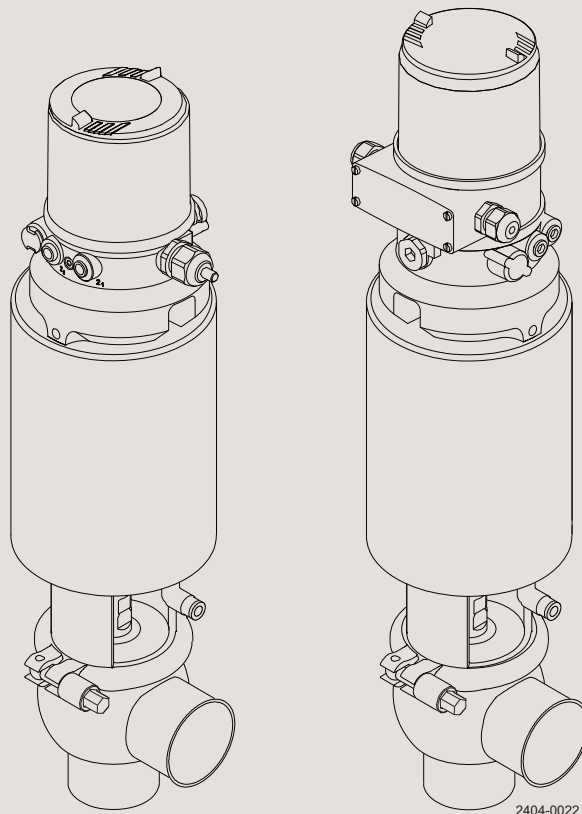


Spare Parts

Unique RV-ST Regulating Valve



ESE02161-EN5 2016-06

Original manual

The information herein is correct at the time of issue but may be subject to change without prior notice

1. Important information	4
2. Unique RV-ST Regulating Valve - Shut-off-valve	6
3. Unique RV-ST- Maintainable Actuator	14

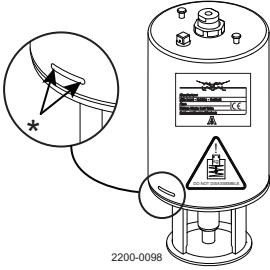
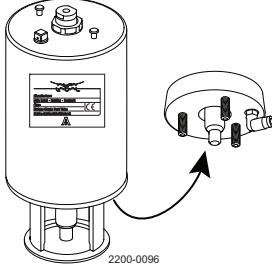

1 Important information

Different actuator types for the SSV valve

In June 2016 the below change was implemented and the "removable yoke with bolts" version is thereby phased out and replaced by the "yoke without bolts" version.

NOTE

It is important to check for warnings marked on the actuator when servicing an actuator- see below table.

Actuator type	Non-maintable actuator Spring under load and can NOT be opened  2200-0098 *) Lock wire opening is locked, when warning is marked on actuator	Fully maintainable actuator Spring cage and can be opened  2200-0096	Fully maintainable actuator Spring cage and can be opened  2200-0097
Yoke type	Non-removable yoke	"Removable yoke with bolts". If the yoke with bolts is damaged it has to be replaced by the "yoke without bolts"	"Yoke without bolts"
Service	Not possible to service internally (it is not possible to change piston o-rings)	Yes	Yes
Marked with warnings	Yes	No	No
Year of production	From 2006	From 2006 - June 2016	From June 2016

Unique RV-ST Regulating Valve - Shut-off-valve

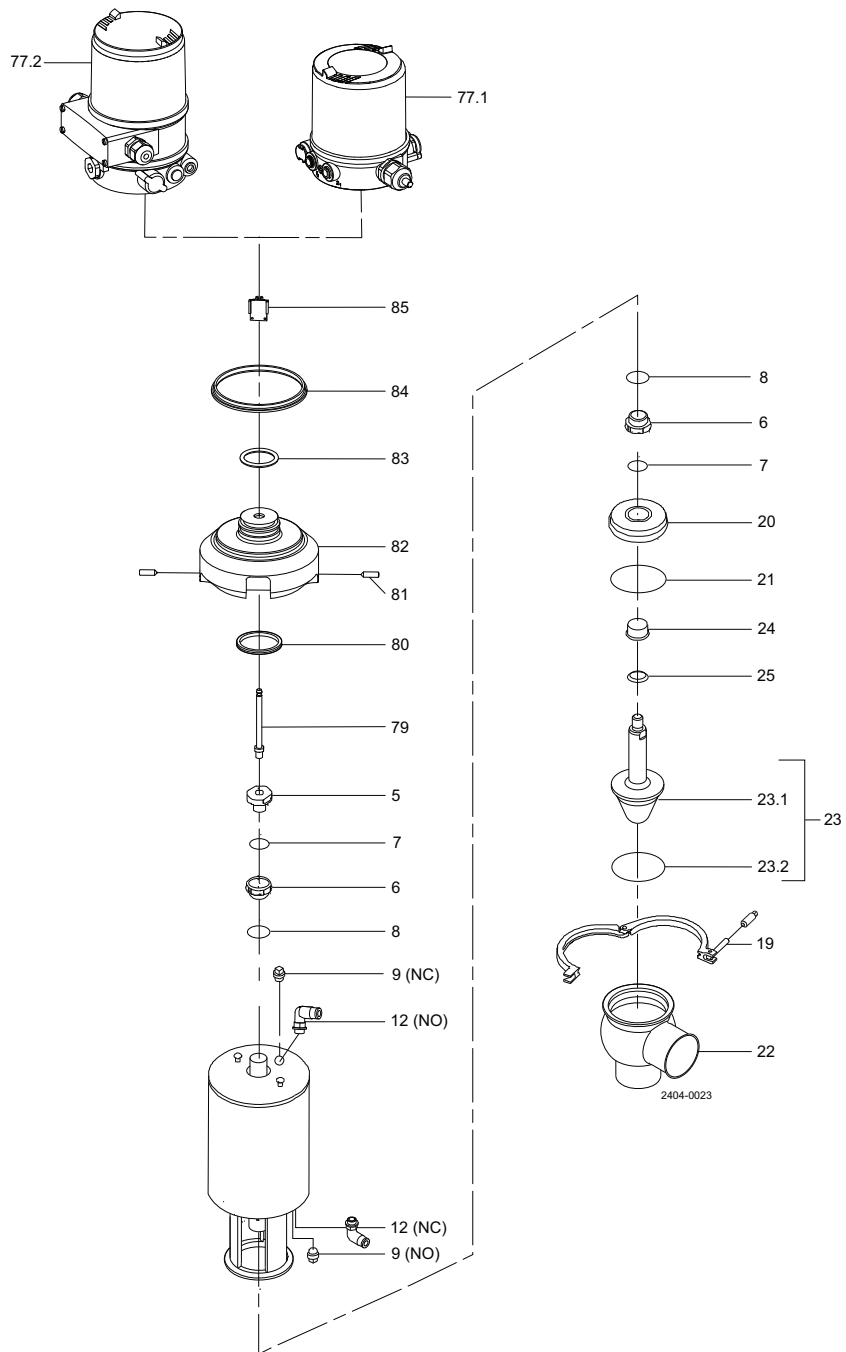
If the actuator is marked with a danger warning do **NOT** attempt to cut the actuator open.



Do **NOT** attempt to disassemble the actuator due to spring under load danger!



Do **NOT** attempt to cut the actuator open, due to spring under load danger!



Unique RV-ST Regulating Valve - Shut-off-valve

Pos	Qty	Denomination	DN40 38 mm	DN50 51 mm	DN65 63.5 mm	DN80 76.1 mm	DN100 101.6 mm
		Actuator, complete (NO)	9613154801	9613154802	9613154803	9613154804	9613154805
		Actuator, complete (NC)	9613154806	9613154807	9613154808	9613154809	9613154810
5	1	Adapter	9614065301	9614065301	9614065301	9614065301	9614065301
6	• 2	Bushing					
7	• 2	O-ring					
8	• 2	O-ring					
9	1	Plug	9613414101	9613414101	9613414101	9613414101	9613414101
12	1	Air fitting	9611991988	9611991988	9611991988	9611991988	9611991988
76	1	Positioner, Positioner 8694 (incl. Pos. 77 to 85) ..	9611995266	9611995266	9611995266	9611995266	9611995266
	1	Positioner, Positioner 8692 (incl. Pos. 77 to 85) ..	9611995268	9611995268	9611995268	9611995268	9611995268
77.1	1	Positioner 8694 without display					
77.2	1	Positioner 8692 with display					
78	1	Adapter, , cpl. (incl. Pos. 79 to 84)	9611995337	9611995337	9611995337	9611995337	9611995337
79	1	Spindle					
80	1	Special X-ring	9612569601	9612569601	9612569601	9612569601	9612569601
81	2	Allen screw	9611993409	9611993409	9611993409	9611993409	9611993409
82	1	Adapter					
83	1	O-ring	9611995273	9611995273	9611995273	9611995273	9611995273
85	1	Puck sensor pad, cpl., (green)					
	1	Puck sensor pad, cpl., (grey)					
Clamp							
19	1	Clamp	9612939303	9612939304	9612939305	9612939306	9612939307
Bonnet							
20	1	Bonnet	9613127102	9613127103	9613127104	9613127105	9613127106
21	□ 1	O-ring, EPDM (standard)					
	1	O-ring, HNBR					
	1	O-ring, FPM					
		O-ring, set (10 pcs.), EPDM	9614059422	9614059425	9614059428	9614059431	9614059434
		O-ring, set (10 pcs.), HNBR	9614059423	9614059426	9614059429	9614059432	9614059435
		O-ring, set (10 pcs.), FPM	9614059424	9614059427	9614059430	9614059433	9614059436
24	1	Bushing	9613125002	9613125002	9613125002	9613125002	9613125002
25	□ 1	Lip seal, EPDM (standard)					
	1	Lip seal, HNBR					
	1	Lip seal, FPM					
		Lip seal, set (10 pcs.), EPDM	9614059419	9614059419	9614059419	9614059419	9614059419
		Lip seal, set (10 pcs.), HNBR	9614059420	9614059420	9614059420	9614059420	9614059420
		Lip seal, set (10 pcs.), FPM	9614059421	9614059421	9614059421	9614059421	9614059421
Valve Body							
22	1	Valve body, lower, 2 ports ISO	9613139503	9613139505	9613139507	9613139509	9613139511
	1	Valve body, lower, 3 ports ISO	9613139504	9613139506	9613139508	9613139510	9613139512
	1	Valve body, lower, 2 ports DIN	9613139603	9613139605	9613139607	9613139609	9613139611
	1	Valve body, lower, 3 ports DIN	9613139604	9613139606	9613139608	9613139610	9613139612

Unique RV-ST Regulating Valve - Shut-off-valve

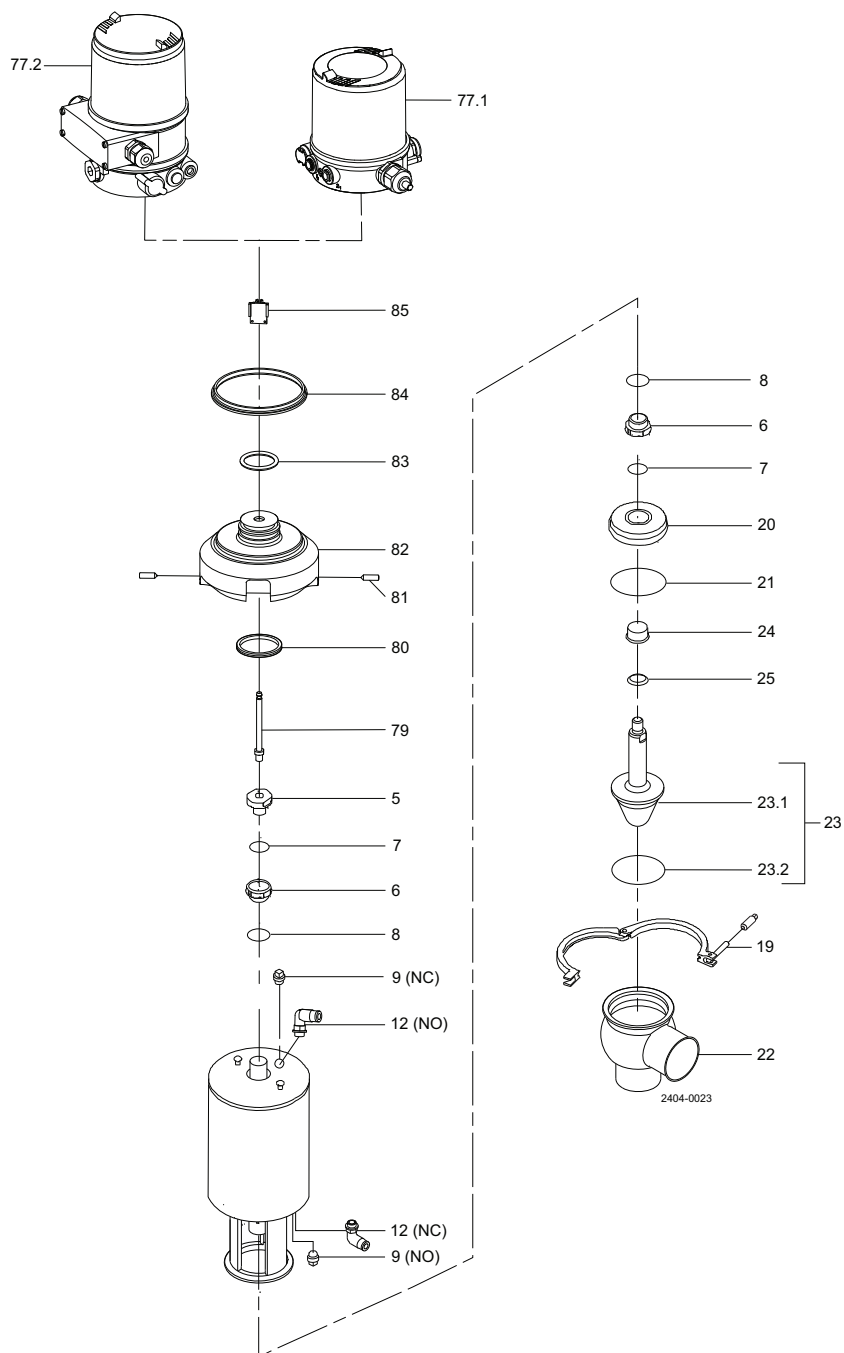
If the actuator is marked with a danger warning do **NOT** attempt to cut the actuator open.



Do **NOT** attempt to disassemble the actuator due to spring under load danger!



Do **NOT** attempt to cut the actuator open, due to spring under load danger!



Unique RV-ST Regulating Valve - Shut-off-valve

Pos	Qty	Denomination	DN40 38 mm	DN50 51 mm	DN65 63.5 mm	DN80 76.1 mm	DN100 101.6 mm
23	1	Plug, complete, ISO, EPDM (standard) Kv 14	9613158901				
	1	Plug, complete, ISO, EPDM (standard) Kv 44	9613158902				
	1	Plug, complete, ISO, EPDM (standard) Kv 16	9613168501				
	1	Plug, complete, ISO, EPDM (standard) Kv 25	9613168502				
	1	Plug, complete, ISO, EPDM (standard) Kv 75		9613158903			
	1	Plug, complete, ISO, EPDM (standard) Kv 9		9613168503			
	1	Plug, complete, ISO, EPDM (standard) Kv 30		9613168504			
	1	Plug, complete, ISO, EPDM (standard) Kv 51		9613168505			
	1	Plug, complete, ISO, EPDM (standard) Kv 107			9613158904		
	1	Plug, complete, ISO, EPDM (standard) Kv 26			9613168507		
	1	Plug, complete, ISO, EPDM (standard) Kv 172				9613158905	
	1	Plug, complete, ISO, EPDM (standard) Kv 101				9613168508	
	1	Plug, complete, ISO, EPDM (standard) Kv 59				9613168601	
	1	Plug, complete, ISO, EPDM (standard) Kv 250					9613158906
	1	Plug, complete, ISO, EPDM (standard) Kv 125					9613168602
	1	Plug, complete, ISO, EPDM (standard) Kv 164					9613168603
	1	Plug, complete, DIN, EPDM (standard) Kv 14	9613158907				
	1	Plug, complete, DIN, EPDM (standard) Kv 44	9613158908				
	1	Plug, complete, DIN, EPDM (standard) Kv 16	9613168509				
	1	Plug, complete, DIN, EPDM (standard) Kv 25	9613168510				
	1	Plug, complete, DIN, EPDM (standard) Kv 75		9613158909			
	1	Plug, complete, DIN, EPDM (standard) Kv 9		9613168511			
	1	Plug, complete, DIN, EPDM (standard) Kv 30		9613168512			
	1	Plug, complete, DIN, EPDM (standard) Kv 51		9613168513			
	1	Plug, complete, DIN, EPDM (standard) Kv 107			9613158910		
	1	Plug, complete, DIN, EPDM (standard) Kv 26			9613168515		
	1	Plug, complete, DIN, EPDM (standard) Kv 172				9613158911	
	1	Plug, complete, DIN, EPDM (standard) Kv 101				9613168516	
	1	Plug, complete, DIN, EPDM (standard) Kv 59				9613168604	
	1	Plug, complete, DIN, EPDM (standard) Kv 250					9613158912
	1	Plug, complete, DIN, EPDM (standard) Kv 125					9613168605
	1	Plug, complete, DIN, EPDM (standard) Kv 164					9613168606
	1	Plug, complete, ISO, HNBR Kv 14	9613158913				
	1	Plug, complete, ISO, HNBR Kv 44	9613158914				
	1	Plug, complete, ISO, HNBR Kv 16	9613168517				
	1	Plug, complete, ISO, HNBR Kv 25	9613168518				
	1	Plug, complete, ISO, HNBR Kv 75		9613158915			
	1	Plug, complete, ISO, HNBR Kv 9		9613168519			
	1	Plug, complete, ISO, HNBR Kv 30		9613168520			
	1	Plug, complete, ISO, HNBR Kv 51		9613168521			
	1	Plug, complete, ISO, HNBR Kv 107			9613158916		
	1	Plug, complete, ISO, HNBR Kv 26			9613168523		
	1	Plug, complete, ISO, HNBR Kv 172				9613158917	
	1	Plug, complete, ISO, HNBR Kv 101				9613168524	
	1	Plug, complete, ISO, HNBR Kv 59				9613168607	
	1	Plug, complete, ISO, HNBR Kv 250					9613158918
	1	Plug, complete, ISO, HNBR Kv 125					9613168608
	1	Plug, complete, ISO, HNBR Kv 164					9613168609
	1	Plug, complete, DIN, HNBR Kv 14	9613158919				
	1	Plug, complete, DIN, HNBR Kv 44	9613158920				
	1	Plug, complete, DIN, HNBR Kv 16	9613168525				
	1	Plug, complete, DIN, HNBR Kv 25	9613168526				
	1	Plug, complete, DIN, HNBR Kv 75		9613158921			
	1	Plug, complete, DIN, HNBR Kv 9		9613168527			
	1	Plug, complete, DIN, HNBR Kv 30		9613168528			
	1	Plug, complete, DIN, HNBR Kv 51		9613168529			
	1	Plug, complete, DIN, HNBR Kv 107			9613158922		
	1	Plug, complete, DIN, HNBR Kv 26			9613168531		
	1	Plug, complete, DIN, HNBR Kv 172				9613158923	
	1	Plug, complete, DIN, HNBR Kv 101				9613168532	
	1	Plug, complete, DIN, HNBR Kv 59				9613168610	
	1	Plug, complete, DIN, HNBR Kv 250					9613158924
	1	Plug, complete, DIN, HNBR Kv 125					9613168611
	1	Plug, complete, DIN, HNBR Kv 164					9613168612

Unique RV-ST Regulating Valve - Shut-off-valve

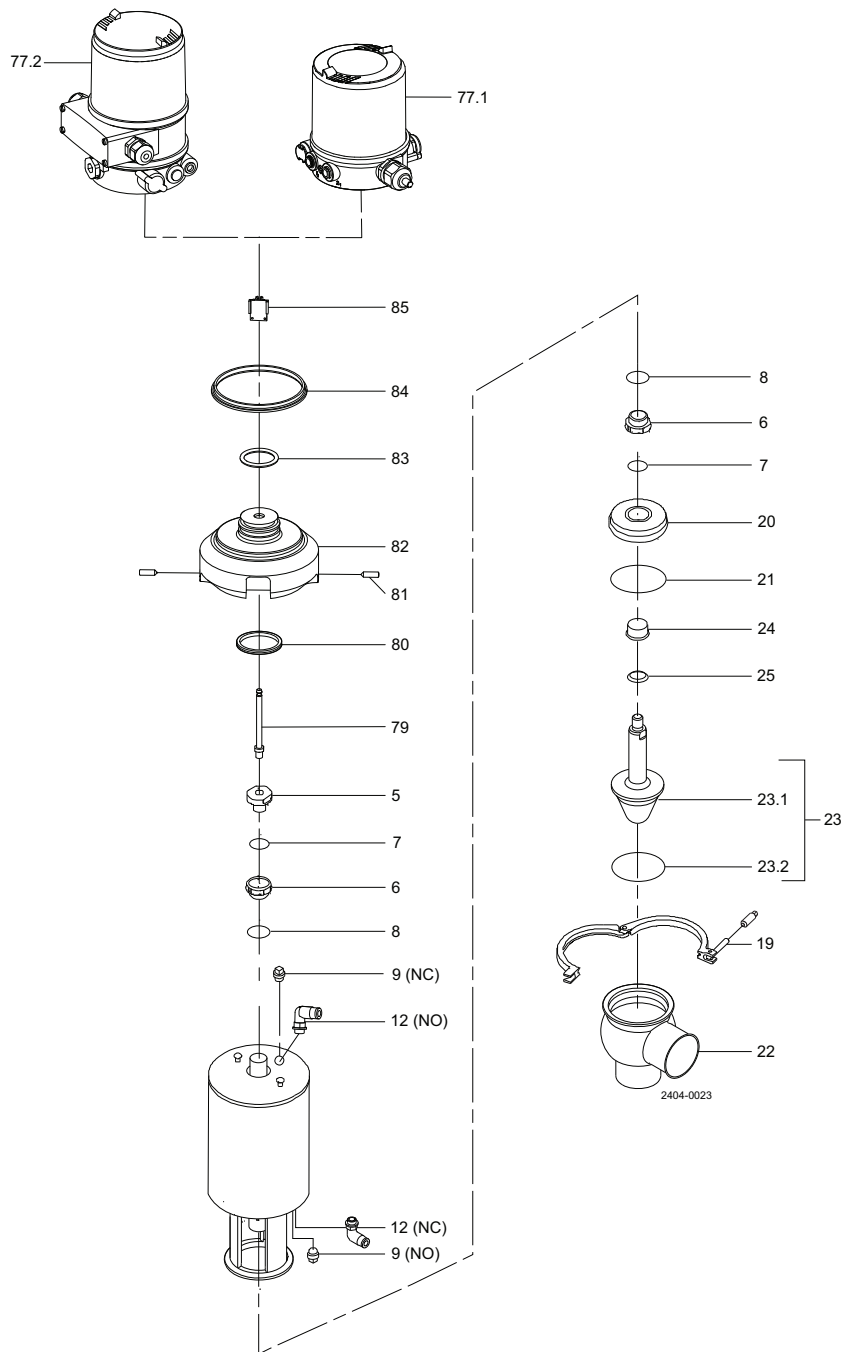
If the actuator is marked with a danger warning do **NOT** attempt to cut the actuator open.



Do **NOT** attempt to disassemble the actuator due to spring under load danger!



Do **NOT** attempt to cut the actuator open, due to spring under load danger!



Unique RV-ST Regulating Valve - Shut-off-valve

Pos	Qty	Denomination	DN40 38 mm	DN50 51 mm	DN65 63.5 mm	DN80 76.1 mm	DN100 101.6 mm
23	1	Plug, complete, ISO, FPM Kv 14	9613158925				
	1	Plug, complete, ISO, FPM Kv 44	9613158926				
	1	Plug, complete, ISO, FPM Kv 16	9613168533				
	1	Plug, complete, ISO, FPM Kv 25	9613168534				
	1	Plug, complete, ISO, FPM Kv 75		9613158927			
	1	Plug, complete, ISO, FPM Kv 9		9613168535			
	1	Plug, complete, ISO, FPM Kv 30		9613168536			
	1	Plug, complete, ISO, FPM Kv 51		9613168537			
	1	Plug, complete, ISO, FPM Kv 107			9613158928		
	1	Plug, complete, ISO, FPM Kv 26			9613168539		
	1	Plug, complete, ISO, FPM Kv 172				9613158929	
	1	Plug, complete, ISO, FPM Kv 101				9613168540	
	1	Plug, complete, ISO, FPM Kv 59				9613168613	
	1	Plug, complete, ISO, FPM Kv 250					9613158930
	1	Plug, complete, ISO, FPM Kv 125					9613168614
	1	Plug, complete, ISO, FPM Kv 164					9613168615
	1	Plug, complete, DIN, FPM Kv 14	9613158931				
	1	Plug, complete, DIN, FPM Kv 44	9613158932				
	1	Plug, complete, DIN, FPM Kv 16	9613168541				
	1	Plug, complete, DIN, FPM Kv 25	9613168542				
	1	Plug, complete, DIN, FPM Kv 75		9613158933			
	1	Plug, complete, DIN, FPM Kv 9		9613168543			
	1	Plug, complete, DIN, FPM Kv 30		9613168544			
	1	Plug, complete, DIN, FPM Kv 51		9613168545			
	1	Plug, complete, DIN, FPM Kv 107			9613158934		
	1	Plug, complete, DIN, FPM Kv 26			9613168547		
	1	Plug, complete, DIN, FPM Kv 172				9613158935	
	1	Plug, complete, DIN, FPM Kv 101				9613168548	
	1	Plug, complete, DIN, FPM Kv 59				9613168616	
	1	Plug, complete, DIN, FPM Kv 250					9613158936
	1	Plug, complete, DIN, FPM Kv 125					9613168617
	1	Plug, complete, DIN, FPM Kv 164					9613168618
23.1	1	Plug, ISO, Kv 14	9613158801				
	1	Plug, ISO, Kv 44	9613158802				
	1	Plug, ISO, Kv 16	9613165001				
	1	Plug, ISO, Kv 25	9613165002				
	1	Plug, DIN, Kv 14	9613158807				
	1	Plug, DIN, Kv 44	9613158808				
	1	Plug, DIN, Kv 16	9613165009				
	1	Plug, DIN, Kv 25	9613165010				
	1	Plug, ISO, Kv 75		9613158803			
	1	Plug, ISO, Kv 9		9613165003			
	1	Plug, ISO, Kv 30		9613165004			
	1	Plug, ISO, Kv 51		9613165005			
	1	Plug, DIN, Kv 75		9613158809			
	1	Plug, DIN, Kv 9		9613165011			
	1	Plug, DIN, Kv 30		9613165012			
	1	Plug, DIN, Kv 51		9613165013			
	1	Plug, ISO, Kv 107			9613158804		
	1	Plug, ISO, Kv 26			9613165007		
	1	Plug, DIN, Kv 107			9613158810		
	1	Plug, DIN, Kv 26			9613165015		
	1	Plug, DIN, Kv 172				9613158805	
	1	Plug, ISO, Kv 101				9613165008	
	1	Plug, ISO, Kv 59				9613167001	
	1	Plug, DIN, Kv 172				9613158811	
	1	Plug, DIN, Kv 101				9613165016	
	1	Plug, DIN, Kv 59				9613167004	
	1	Plug, ISO, Kv 250					9613158806
	1	Plug, ISO, Kv 125					9613167002
	1	Plug, ISO, Kv 164					9613167003
	1	Plug, DIN, Kv 250					9613158812
	1	Plug, DIN, Kv 125					9613167005
	1	Plug, DIN, Kv 164					9613167006

Unique RV-ST Regulating Valve - Shut-off-valve

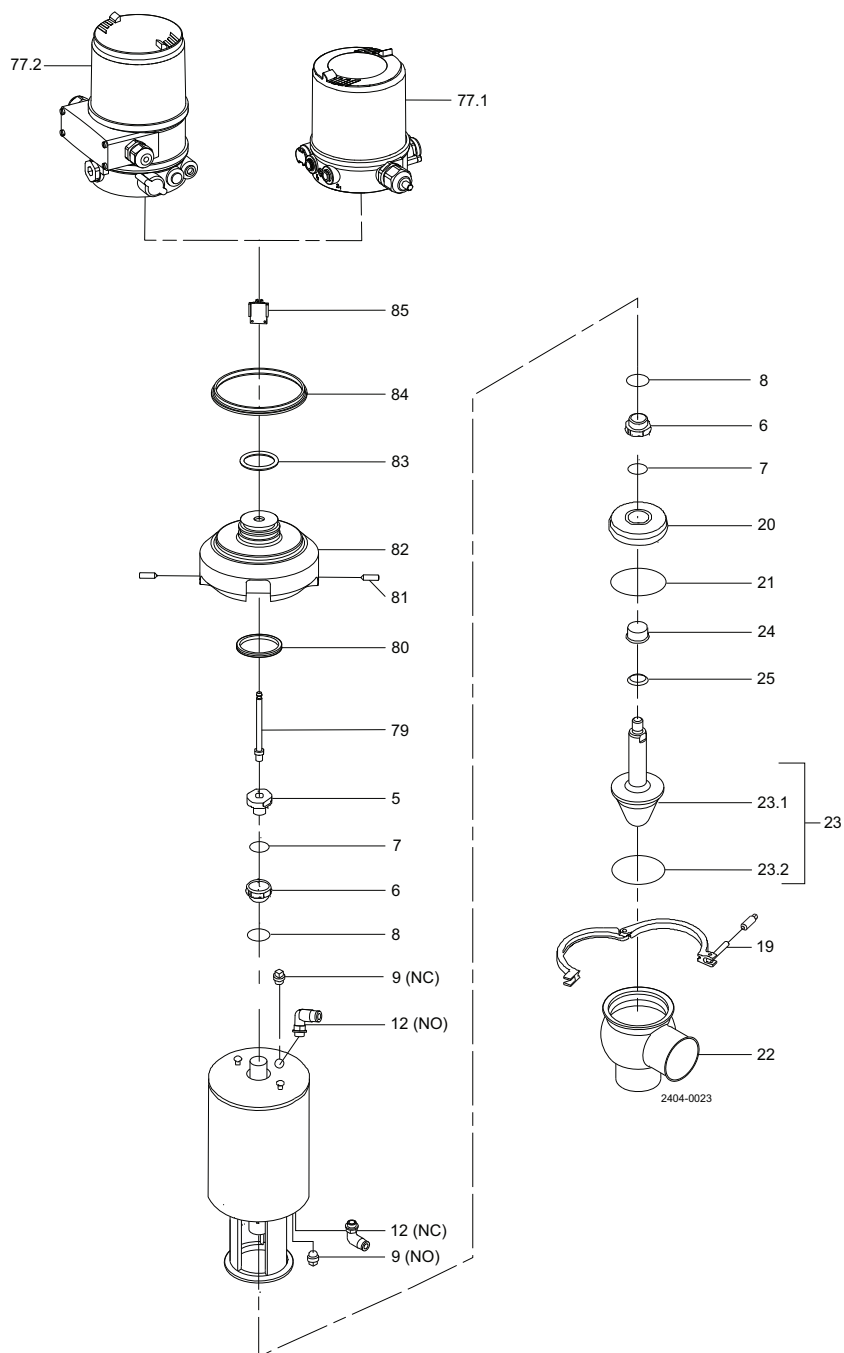
If the actuator is marked with a danger warning do **NOT** attempt to cut the actuator open.



Do **NOT** attempt to disassemble the actuator due to spring under load danger!



Do **NOT** attempt to cut the actuator open, due to spring under load danger!



Unique RV-ST Regulating Valve - Shut-off-valve

Pos	Qty	Denomination	DN40 38 mm	DN50 51 mm	DN65 63.5 mm	DN80 76.1 mm	DN100 101.6 mm
23.2	1	Plug seal, EPDM (standard)					
	1	Plug seal, HNBR					
	1	Plug seal, FPM					
		Plug seal, set (10 pcs.), EPDM	9614059404	9614059407	9614059410	9614059413	9614059416
		Plug seal, set (10 pcs.), HNBR	9614059405	9614059408	9614059411	9614059414	9614059417
		Plug seal, set (10 pcs.), FPM	9614059406	9614059409	9614059412	9614059415	9614059418

Recommended spare parts: Service kits

		DN40 38 mm	DN50 51 mm	DN65 63.5 mm	DN80 76.1 mm	DN100 101.6 mm
•	Service kit, actuator	9611926500	9611926500	9611926500	9611926500	9611926500
□	Service kit, EPDM	9611926502	9611926503	9611926504	9611926505	9611926506
□	Service kit, HNBR	9611926508	9611926509	9611926510	9611926511	9611926512
□	Service kit, FPM	9611926514	9611926515	9611926516	9611926517	9611926518

Parts marked with • are included in the service kits (actuator)

Parts marked with □ are included in the service kits (product wetted parts)

Tool for bushing (pos. 24) 9613160901

TD 900618/3

Unique RV-ST- Maintainable Actuator

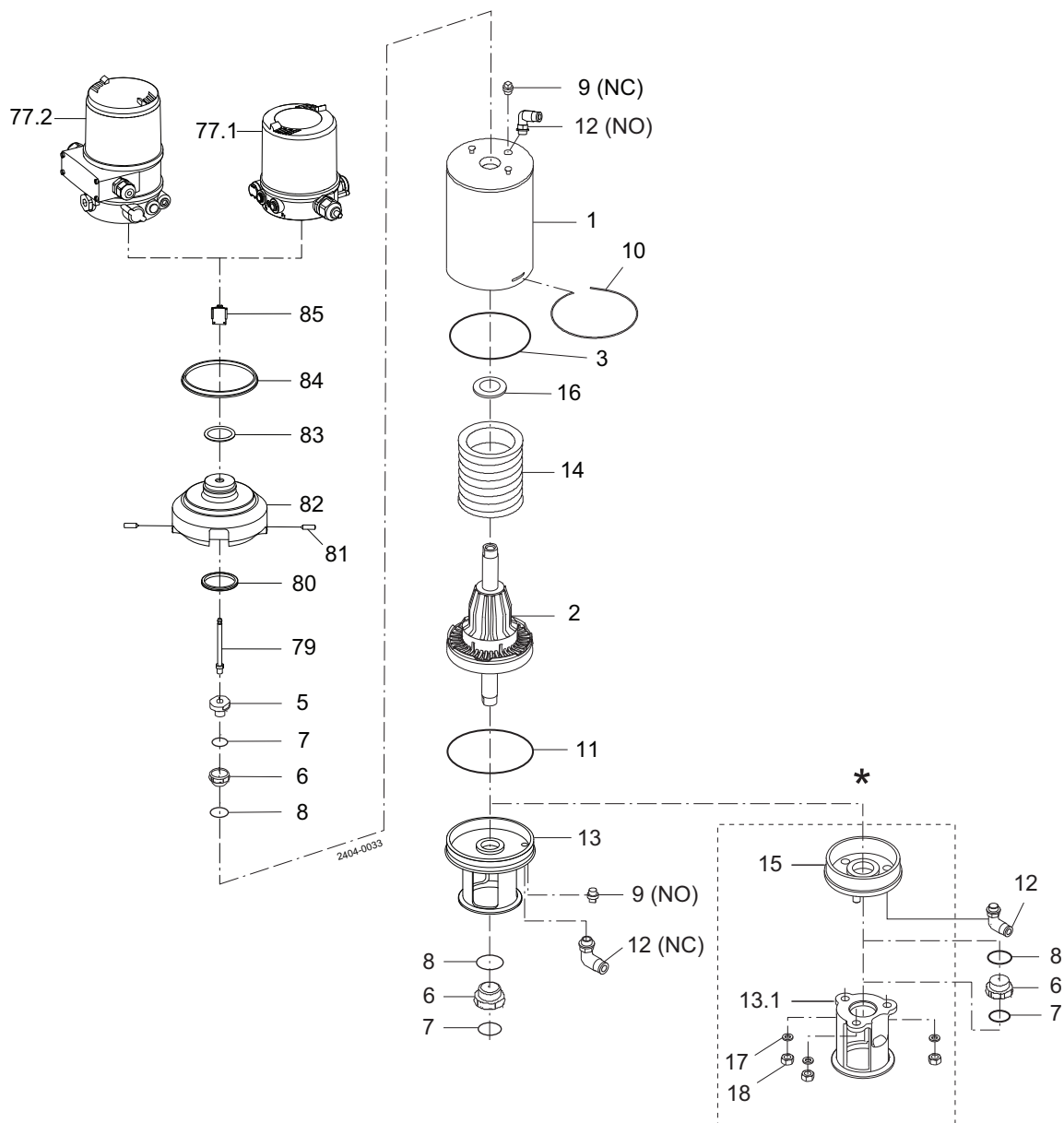
If the actuator is marked with a danger warning do **NOT** attempt to cut the actuator open.



Do **NOT** attempt to disassemble the actuator due to spring under load danger!



Do **NOT** attempt to cut the actuator open, due to spring under load danger!



*) "Removable yoke bolts" version, product from 2006 to June 2016.
Replaced by "yoke without bolts" (13)

Unique RV-ST- Maintainable Actuator

Pos	Qty	Denomination	DN40 38 mm	DN50 51mm	DN65 63.5 mm	DN80 76.1 mm	DN100 101.6 mm
		Actuator, complete (NO)	9613185301	9613185302	9613185303	9613185304	9613185305
		Actuator, complete (NC)	9613185306	9613185307	9613185308	9613185309	9613185310
1	1	Cylinder	9613142511	9613142512	9613142512	9613142513	9613142513
2	1	Piston	9613132201	9613132301	9613132301	9613132401	9613132401
3	●	O-ring					
5	1	Adaptor, steel (0115 -)					
	1	Adapter, plastic (- 0115)	9614065301	9614065301	9614065301	9614065301	9614065301
6	●	Bushing					
7	●	O-ring					
8	●	O-ring					
9	1	Plug, (NO+NC)	9613414101	9613414101	9613414101	9613414101	9613414101
10	1	Lock wire	9613143201	9613143202	9613143202	9613143203	9613143203
11	●	O-ring					
12	1	Air fitting, (NC)	9611991988	9611991988	9611991988	9611991988	9611991988
13	1	Yoke without bolts , (0616 -)	9613154301	9613154402	9613154502	9613154603	9613154703
14	1	Spring assembly	9613132501	9613132502	9613132502	9613132503	9613132503
16	●	Support disc					
76	1	Positioner 8694 (incl. Pos. 77 to 85)	9611995266	9611995266	9611995266	9611995266	9611995266
	1	Positioner 8692 (incl. Pos. 77 to 85)	9611995268	9611995268	9611995268	9611995268	9611995268
77.1	1	Positioner 8694 without display					
77.2	1	Positioner 8692 with display					
78	1	Adapter, cpl. (incl. Pos. 79 to 84)	9611995337	9611995337	9611995337	9611995337	9611995337
79	1	Spindle					
80	1	Special X-ring	9612569601	9612569601	9612569601	9612569601	9612569601
81	2	Allen screw	9611993409	9611993409	9611993409	9611993409	9611993409
82	1	Adapter					
83	1	O-ring	9611995273	9611995273	9611995273	9611995273	9611995273
84	1	Gasket for adapter	9611995274	9611995274	9611995274	9611995274	9611995274
85	1	Puck sensor pad, cpl., (green)					
	1	Puck sensor pad, cpl., (grey)					
Removeable yoke with bolts - OBSOLETE							
use position 13							
13.1	1	Yoke (- 0616)					
15	1	Bottom (- 0616)					
17	3	Washer (- 0616)					
18	3	Nut (- 0616)					

Service kit

		DN40 38 mm	DN50 51 mm	DN65 63.5 mm	DN80 76.1 mm	DN100 101.6 mm
●	Service kit, Actuator	9611926497	9611926498	9611926498	9611926499	9611926499

Parts marked with ● are included in the service kits (actuator)

Recommended spare parts: Service kits.

TD900619/4

How to contact Alfa Laval

Contact details for all countries are continually updated on our website.

Please visit www.alfalaval.com to access the information directly.

© Alfa Laval Corporate AB

This document and its contents is owned by Alfa Laval Corporate AB and protected by laws governing intellectual property and thereto related rights. It is the responsibility of the user of this document to comply with all applicable intellectual property laws. Without limiting any rights related to this document, no part of this document may be copied, reproduced or transmitted in any form or by any means (electronic, mechanical, photocopying, recording, or otherwise), or for any purpose, without the expressed permission of Alfa Laval Corporate AB. Alfa Laval Corporate AB will enforce its rights related to this document to the fullest extent of the law, including the seeking of criminal prosecution.