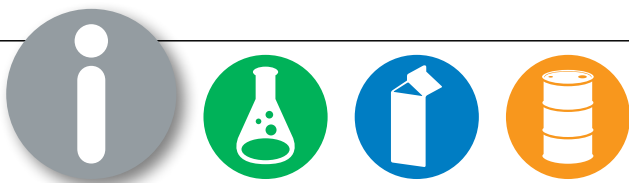


# HYGIENIC TUBE & PROCESS COMPONENTS



## COVERS AND DOORS



# TABLE OF CONTENTS

## ROUND PRESSURE MANHOLE COVERS.....8

HLSD-2	9
300/P	11
400/P	12
450/P	13
500/P	14
600/P	15
NL/250	16
300L	17
400L	18
450L	19
500L	20
600L	21
520	22

## OVAL MANWAY DOORS.....24

LKD 532x432	25
LKD 542x446	26
LKD 440X320	27
200	28
200pes	29
200/K/pes	30
200PEsnodo	31
200 R	32
200/RP	33
200/lkd	34
200/lzd	35
201/LW	36
206	37
170	38
170L	39
180	40
180SN	41
190	42
191	43
174/AE	44
630	45
Z/175	46

## MANHOLES.....48

LKDC	49
LKDS	50
T1/200	51
T1/300	52
T1/400	53
T1/450	54
T1/500	55
T1/600	56
T1/800	57
4V/400	58
6V/250	59

5V/450	60
6V/500	61
8V/600	62
10/V800	63
TV/400	64
TV/450	65
TV/500	66
TV/600	67
T/400	68
T/450	69
T/500	70
T/600	71
3V/200	72
3V/300	73
N/230	74
N/240	75
N240/4V	76
N/250	77
N/270	78
N/300	79
210	80
230	81
235	82
240	83
245	84
250	85
255	86
275	87
400/AZ-GN	88
400/AZ-NL	89
T1/G400	90
T1/G450	91
T1/G500	92

## RECTANGULAR MANWAY DOORS....94

285	96
295	97
160	98
160/2B	99
165	100
1500	101
1500/AI	102
1600	103
1700	104
P21	105
P22	105
B1	106
P23	106
Gaskets manwaydoors	107
Hand wheels	110



C.06.D1

GC.06.D2

GC.06.C2

GC.06.C2



# i COVERS AND DOORS

Every tank has multiple openings. This could function as an entrance or exit for the product, but also the a passage for maintenance or inspection. Regarding the function of the opening and the purpose of the tank, the valves can be divided into 4 groups: Covers, hatches, bottom valves and sampling valves.

**Covers:** are build in the top of the tank. These could be pressure covers or no-pressure covers. Covers are meant as a entrance for persons, inspection or the possibility to add some additives to the product.

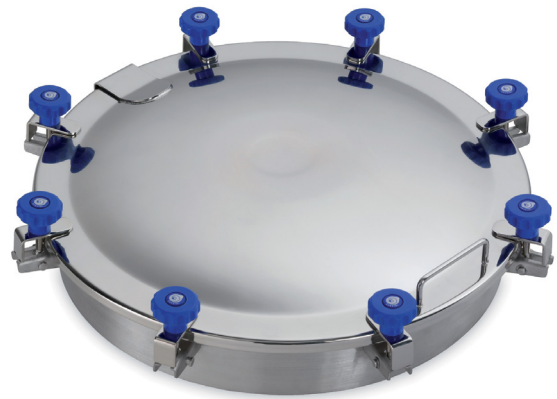
**Doors:** (also covers) are mounted on the sides of the tank or machine and are often mounted below the level of the content of the tank. This is because they are meant to reach a certain pressure. Hatches are often used as a entrance to the inside of a tank or machine.

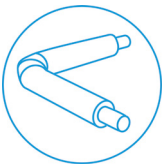
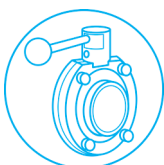
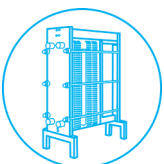
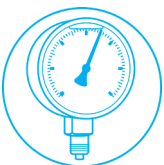
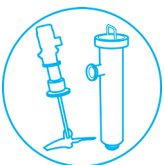
Per application the offer is to divide into:

- |            |                |   |
|------------|----------------|---|
| Pharma     | Manhole Covers | <ul style="list-style-type: none"> <li>&gt; Pressure covers (round)</li> <li>&gt; Non-pressure covers (round)</li> </ul>  |
| Food       | Manhole Covers | <ul style="list-style-type: none"> <li>&gt; Pressure covers (round and oval)</li> <li>&gt; Non pressure covers (round)</li> <li>&gt; Inspection covers (round, oval and rectangular)</li> </ul>                       |
|            | Manway door    | <ul style="list-style-type: none"> <li>&gt; Pressure covers (round and oval)</li> <li>&gt; Non pressure covers (round, oval and rectangular)</li> <li>&gt; Inspection covers (round, oval and rectangular)</li> </ul> |
| Industrial | Manhole Covers | <ul style="list-style-type: none"> <li>&gt; Pressure covers (round and oval)</li> <li>&gt; Non-pressure covers (round)</li> <li>&gt; Inspection covers (round, oval and rectangular)</li> </ul>                       |
|            | Manway door    | <ul style="list-style-type: none"> <li>&gt; Pressure covers (round and oval)</li> <li>&gt; Non pressure covers (round)</li> <li>&gt; Inspection covers (round, oval and rectangular)</li> </ul>                       |

As you can read, the covers and doors can be delivered with various options, or multiple versions







# ROUND PRESSURE MANHOLE COVERS

---

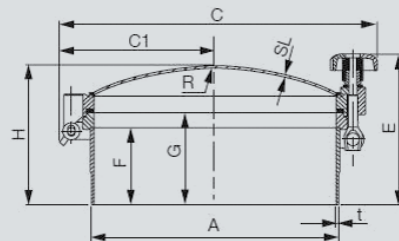
For tanks or storage rooms under pressure, S.K.S. offers a wide range of pressure manhole covers. These manhole covers are often mounted at the top of the tank.

Because these manholes are equipped with robust locks in combination with stainless steel hand wheels, they are very suitable for various pressure applications.

The covers are available in different versions and sizes. For example, an inspection door which can be used for visual inspection.

Besides the manhole covers the bottom of the tanks are often provided with an tank outlet . For all applications S.K.S. has a solution. Check our website for all tank outlet valves or contact our product specialists for more information.

**HLSD-2**



TD 529-001

**PRESSURE APPLICATION MANWAYDOOR WITH EPDM GASKET Ø 200 MM**

Type	Ø outside	H =...mm	T collar	P max	max Temp°C	nr. bolts	304	316
HLSD-2	208	150	4	10 bar	250	4	-	37538500AL
HLSD-2	308	150	4	6 bar	250	4	-	37538501AL
HLSD-2	308	150	4	6,7 bar	100	4	-	37538503AL
HLSD-2	308	150	4	7,6 bar	50	4	-	37538504AL
HLSD-2	308	150	4	6,4 bar	250	6	-	37538505AL
HLSD-2	308	150	4	6,9 bar	200	6	-	37538506AL
HLSD-2	308	150	4	7,5 bar	150	6	-	37538507AL
HLSD-2	308	150	4	8,4 bar	100	6	-	37538508AL
HLSD-2	308	150	4	9,4 bar	50	6	-	37538509AL
HLSD-2	408	150	4	3,4 bar	250	4	-	37538513AL
HLSD-2	408	150	4	3,8 bar	100	4	-	37538515AL
HLSD-2	408	150	4	4,4 bar	50	4	-	37538517AL
HLSD-2	408	150	4	5,2 bar	250	6	-	37538523AL
HLSD-2	408	150	4	6,6 bar	200	6	-	37538525AL
HLSD-2	408	150	4	7,1 bar	150	8	-	37538527AL
HLSD-2	408	150	4	7,7 bar	100	8	-	37538529AL
HLSD-2	408	150	4	8,7 bar	50	8	-	37538531AL
HLSD-2	458	150	4	4,1 bar	250	6	-	37538537AL
HLSD-2	458	150	4	5,2 bar	50	6	-	37538539AL
HLSD-2	458	150	4	5,5 bar	250	8	-	37538541AL
HLSD-2	458	150	4	6,1 bar	100	8	-	37538543AL
HLSD-2	458	150	4	7,0 bar	50	8	-	37538545AL
HLSD-2	458	150	4	6,8 bar	250	10	-	37538547AL
HLSD-2	458	150	4	7,1 bar	150	10	-	37538549AL
HLSD-2	458	150	4	7,7 bar	100	10	-	37538551AL
HLSD-2	458	150	4	8,7 bar	50	10	-	37538553AL
HLSD-2	508	150	4	3,3 bar	250	6	-	37538559AL
HLSD-2	508	150	4	4,2 bar	50	6	-	37538561AL
HLSD-2	508	150	4	4,5 bar	50	8	-	37538563AL
HLSD-2	508	150	4	5,0 bar	250	8	-	37538565AL
HLSD-2	508	150	4	5,7 bar	200	8	-	37538567AL

HLSD-2	508	150	4	6,2 bar	150	10	-	37538569AL
HLSD-2	508	150	4	6,9 bar	100	10	-	37538571AL
HLSD-2	508	150	4	7,5 bar	50	10	-	37538573AL
HLSD-2	608	150	4	2,3 bar	250	6	-	37538585AL
HLSD-2	608	150	4	3 bar	50	6	-	37538587AL
HLSD-2	608	150	4	3,1 bar	250	8	-	37538589AL
HLSD-2	608	150	4	4 bar	50	8	-	37538591AL
HLSD-2	608	150	4	4 bar	200	10	-	37538592AL
HLSD-2	608	150	4	5 bar	50	10	-	37538593AL
HLSD-2	608	150	4	4,7 bar	250	12	-	37538595AL
HLSD-2	608	150	4	5 bar	150	12	-	37538597AL
HLSD-2	608	150	4	6 bar	50	12	-	37538599AL
HLSD-2	608	150	4	5,4 bar	250	14	-	37538601AL
HLSD-2	608	150	4	6,1 bar	100	14	-	37538603AL
HLSD-2	608	150	4	7 bar	50	14	-	37538605AL

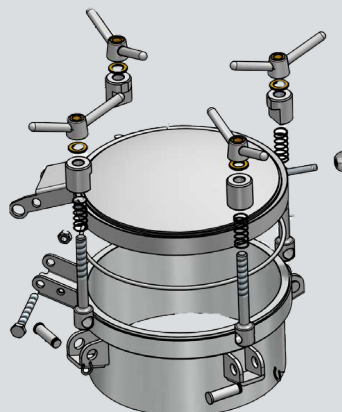
Gasket	EPDM	MVQ (Silikon)	FPM (Viton)	FEP FPM				
HLSD 200	AL9611992863	AL9611992862	AL9611992864	AL9611992866				
HLSD 300	AL9611992868	AL9611992867	AL9611992869	AL9611992871				
HLSD 400	AL9611992055	AL9611992054	AL9611992056	AL9611992058				
HLSD 450	AL9611992060	AL9611992059	AL9611992061	AL9611992063				
HLSD 500	AL9611992065	AL9611992064	AL9611992066	AL9611992068				
HLSD 600	AL9611992070	AL9611992069	AL9611992071	AL9611992073				

Options	art.nr.					
Spring opening assist	37534901AL					
Open-close locking device	37534902AL					
Bracket for indication unit	37534903AL					
Centring guide	37534904AL					
Stainless steel hand wheels	37534905AL					
Sight glasss DIN 28120	37534906AL					
Sight glasss DIN 11851	37534907AL					
Safety grid	37534908AL					
Special surface finish	37534909AL					
Frame height 300 mm	37534910AL					
Conical frame	37534911AL					

Available in AISI 316L, access Ø 200, 300, 400, 450, 500 and 600mm. Gasket clamped in cover. Selfdraining cover. Stainless steel handles. With PED certificate. Possible options : sightglasss, centreguide, brackets fot indication, spring opening assist, frame height on demand, Ra inside 0,4µm and built in safetygrid.



300/P



**PRESSURE APPLICATION MANWAYDOOR Ø 300 MM PED**

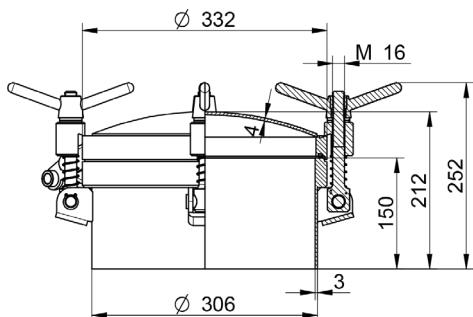
Type	ø outside	H =...mm	S1 collar	S2 cover	P max	304	316
300P4	306	150	3	4	-1 / 5,4 bar	37334300P4	37338300P4B
300P6	306	150	3	4	-1 / 5,4 bar	37334300P6	37338300P6B

Gasket	EPDM	MVQ (Silicone)	FPM (Viton)	NBR			
G/300P	37303243	37305243	37304243	37301243			

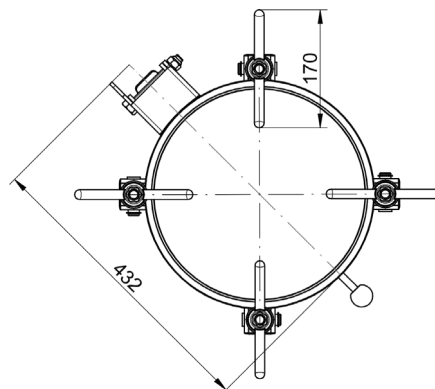
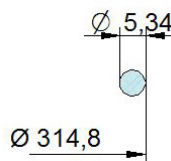
Hand wheel (M16)	art. nr.						
V/165 Stainless Steel hand wheel	37309010						
MEC/90 Stainless Steel hand wheel	37309007						
MEC 80/BLU Nylon hand wheel	37309095						

Available in AISI 304 and 316L, access Ø 400mm - 600mm.  
Gasket clamped in cover. Selfdraining cover. Stainless steel handles. With PED certificate.

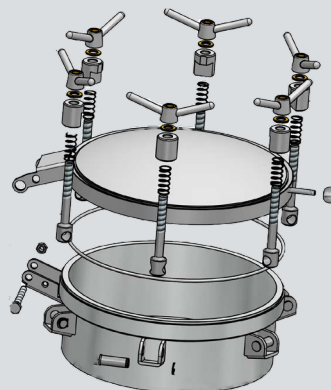
Material	temperature range
EPDM	-40° / 90°C
NBR	-15° / 90°C
MVQ (Silicone)	-50° / 200°C
FKM (Viton)	-17° / 240°C



H = Neck height  
S1 = Thickness collar  
S2 = Thickness cover  
V = Hand wheel  
G = Gasket



400/P



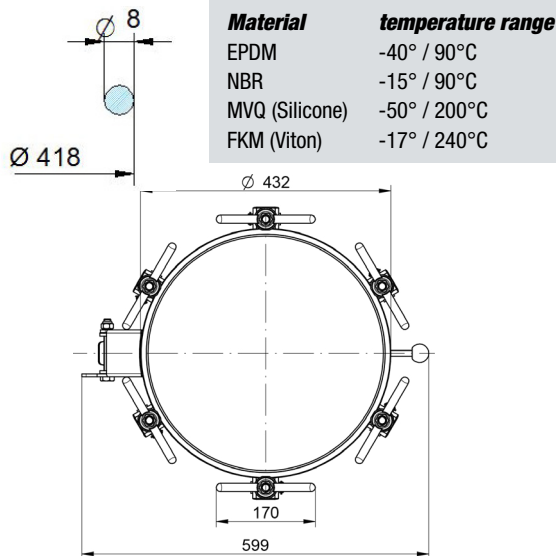
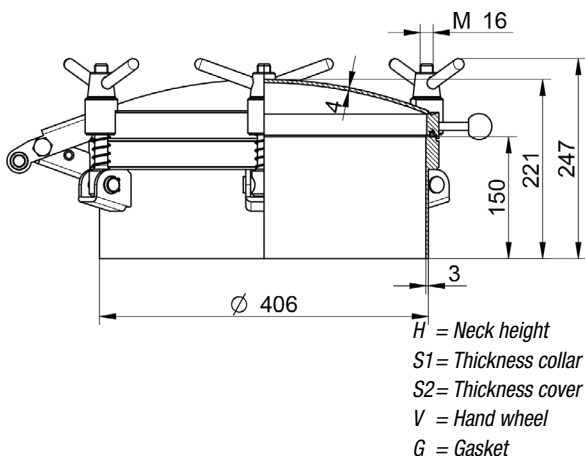
PRESSURE APPLICATION MANWAYDOOR WITH EPDM GASKET Ø 400 MM

Type	Ø outside	H =...mm	S1 collar	S2 cover	P max	max Temp °C	nr. bolts	304	316
400/P4 - 400/P4/B	406	150	3	4	-1 / 3 bar	-15 / +150°	4	37334400P4	37338400P4B
400/P6 - 400/P6/B	406	150	3	4	-1 / 4,3 bar	-15 / +150°	6	37334400P6	37338400P6B
400/P8 - 400/P8/B	406	150	30	4	-1 / 4,3 bar	-15 / +150°	8	37334400P8	37334400P8B

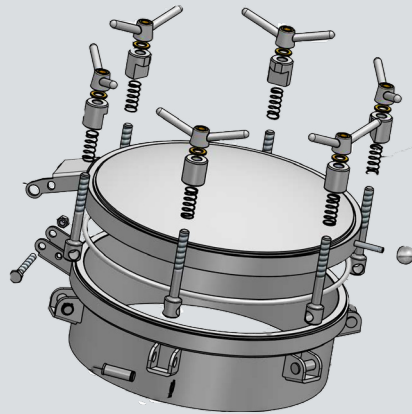
Gasket	EPDM	MVQ (Silicone)	FPM (Viton)	NBR					
G/400P	37303240	37313240	37304240	37301240					

Handle (M16)	art. nr.								
MEC/90 Stainless Steel hand wheel	37309008								
V/I/165 Stainless Steel hand wheel	37309010								
MEC 80/BLU Nylon hand wheel	37309095								

Available in AISI 304 and 316L, access Ø 400mm - 600mm.  
Gasket clamped in cover. Selfdraining cover. Stainless steel handles. With PED certificate.



450/P



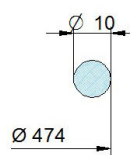
**PRESSURE APPLICATION MANWAYDOOR WITH EPDM GASKET Ø 450 MM**

Type	Ø outside	H =...mm	S1 collar	S2 cover	P max	max Temp °C	nr. bolts	304	316
450/4P - 450/4P/B	458	150	4	5	-1 / 2,6 bar	-15 / +150 °C	4	37334450P4	37338450P4B
450/6P - 450/6P/B	458	150	4	5	-1 / 3,9 bar	-15 / +150 °C	6	37334450P6	37338450P6B
450/8P - 450/8P/B	458	150	4	5	-1 / 4,9 bar	-15 / +200 °C	8	37334450P8	37338450P8B
450/10P - 450/10P/B	458	150	4	5	-1 / 5 bar	-15 / +200 °C	10	37334450P10	37338450P10B

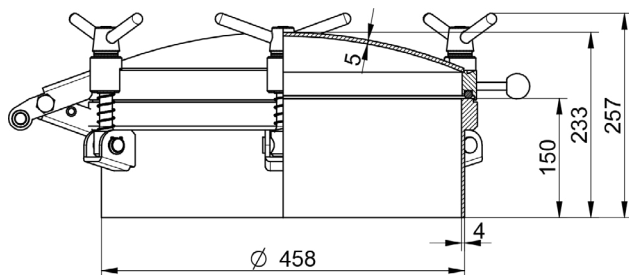
Gasket	EPDM	MVQ (Silicone)	FPM (Viton)	NBR
G/450P	37303241	37313241	37304241	37301241

Handle (M16)	art. nr.
MEC/90 Stainless Steel hand wheel	37309008
V/I/165 Stainless Steel hand wheel	37309010
MEC 80/BLU Nylon hand wheel	37309095

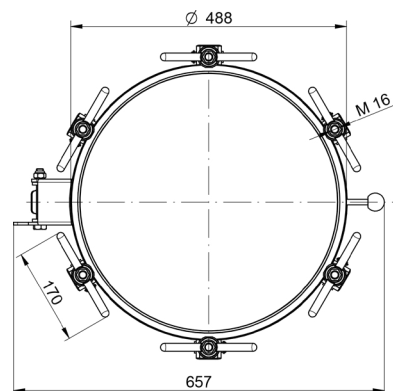
Available in AISI 304 and 316L, access Ø 400mm - 600mm.  
Gasket clamped in cover. Selfdraining cover. Stainless steel handles. With PED certificate.



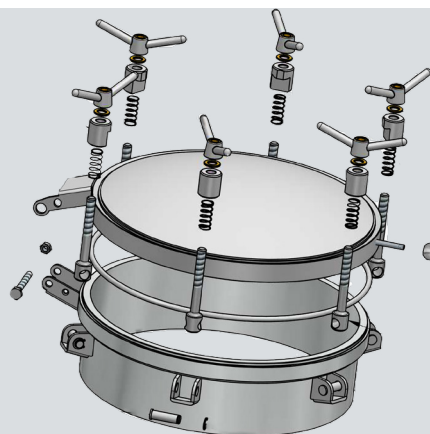
Material	temperature range
EPDM	-40° / 90°C
NBR	-15° / 90°C
MVQ (Silicone)	-50° / 200°C
FKM (Viton)	-17° / 240°C



H = Neck height  
S1 = Thickness collar  
S2 = Thickness cover  
V = Hand wheel  
G = Gasket



500/P



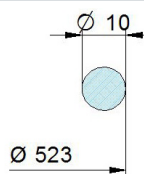
**PRESSURE APPLICATION MANWAYDOOR WITH EPDM GASKET Ø 500 MM**

Type	Ø outside	H =...mm	S1 collar	S2 cover	P max	max Temp°C	nr. bolts	304	316
500/P - 500/P/B	508	150	4	5	-1 / 3,2 bar	-15 / +150°	6	37334500P6	37338500P6B
500/P - 500/P/B	508	150	4	5	-1 / 3,6 bar	-15 / +150°	8	37334500P8	37338500P8B
500/P - 500/P/B	508	150	4	5	-1 / 4, bar	-15 / +150°	10	37334500P10	37338500P10B

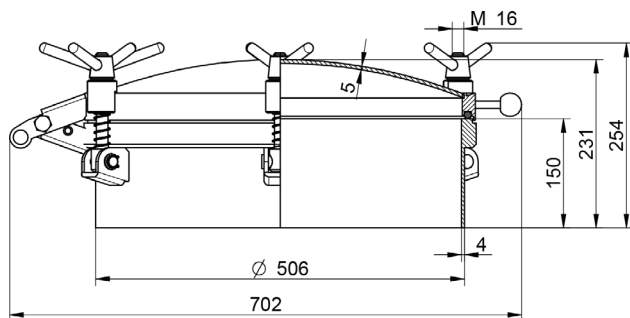
Gasket	EPDM	MVQ (Silicone)	FPM (Viton)	NBR					
G/500P	37303242	37313242	37304242	37301242					

Handle (M16)	art. nr.								
MEC/90 Stainless Steel hand wheel	37309008								
V/I/165 Stainless Steel hand wheel	37309010								
MEC 80/BLU Nylon hand wheel	37309095								

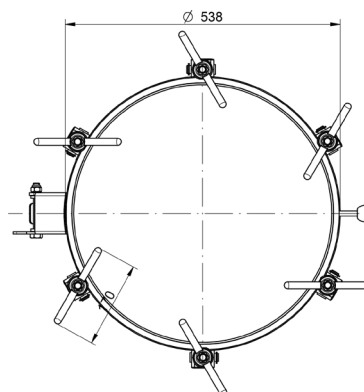
Available in AISI 304 and 316L, access Ø 400mm - 600mm.  
Gasket clamped in cover. Selfdraining cover. Stainless steel handles. With PED certificate.



Material	temperature range
EPDM	-40° / 90°C
NBR	-15° / 90°C
MVQ (Silicone)	-50° / 200°C
FKM (Viton)	-17° / 240°C



H = Neck height  
S1 = Thickness collar  
S2 = Thickness cover  
V = Hand wheel  
G = Gasket



600/P



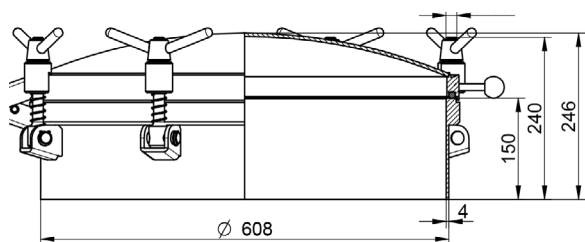
**PRESSURE APPLICATION MANWAYDOOR WITH EPDM GASKET Ø 600 MM**

Type	Ø outside	H =...mm	S1 collar	S2 cover	P max	max Temp °C	nr. bolts	304	316
600/6P - 600/6P/B	608	150	4	5	-1 / 2,1 bar	-15 / +150 °C	6	37334600P6	37338600P6B
600/8P - 600/8P/B	608	150	4	5	-1 / 2,9 bar	-15 / +150 °C	8	37334600P8	37338600P8B
600/10P - 600/10P/B	608	150	4	5	-1 / 3,7 bar	-15 / +150 °C	10	37334600P10	37338600P10B
600/12P - 600/12P/B	608	150	4	5	-1 / 4,2 bar	-15 / +150 °C	12	37334600P12	37338600P12B
600/14P - 600/14P/B	608	150	4	5	-1 / 4,2 bar	-15 / +150 °C	14	37334600P14	37338600P14B

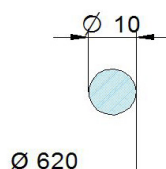
Gasket	EPDM	MVQ (Silicone)	FPM (Viton)	NBR
G/600P	37303243	37313243	37304243	37301243

Handle (M16)	art. nr.
MEC/90 Stainless Steel hand wheel	37309008
V/I/165 Stainless Steel hand wheel	37309010
MEC 80/BLU Nylon hand wheel	37309095

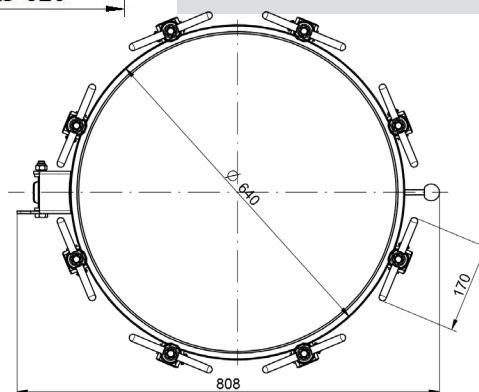
Available in AISI 304 and 316L, access Ø 400mm - 600mm.  
Gasket clamped in cover. Selfdraining cover. Stainless steel handles. With PED certificate.



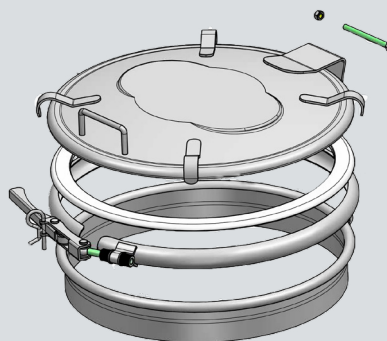
H = Neck height  
S1 = Thickness collar  
S2 = Thickness cover  
V = Hand wheel  
G = Gasket



Material	temperature range
EPDM	-40° / 90°C
NBR	-15° / 90°C
MVQ (Silicone)	-50° / 200°C
FKM (Viton)	-17° / 240°C



NL/250

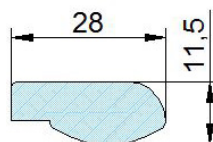


**PRESSURE APPLICATION MANWAYDOOR WITH EPDM GASKET Ø 400 MM**

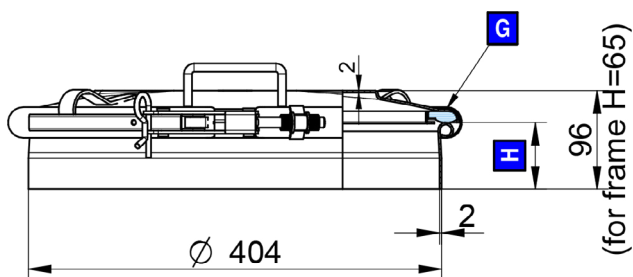
Type	Ø outside	H =...mm	S1 collar	S2 cover	P max	nr. bolts	304	316
NL/250 - NL/250/B	404	65	2	2	1 bar	Clamp	3734NL250	37338NL250B
NL/251 - NL/251/B	404	100	2	2	1 bar	Clamp	3734NL251	37338NL251B
NL/252 - NL/252/B	404	150	2	2	1 bar	Clamp	3734NL252	37338NL252B
NL/253 - NL/253/B	404	200	2	2	1 bar	Clamp	3734NL253	37338NL253B

Gasket	EPDM	MVQ (Silicone)	FPM (Viton)	NBR				
G/NL250	37303103	37305103	37304103	37301103				

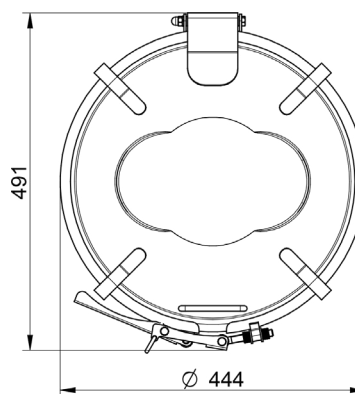
Available in AISI 304 and 316L, access Ø 400mm. Gasket clamped on cover. VS clamp



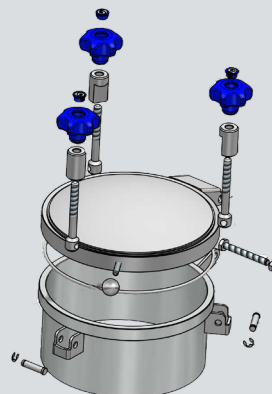
Material	temperature range
EPDM	-15° / 90°C
NBR	-30° / 110°C
MVQ (Silicone)	-50° / 200°C
FKM (Viton)	-10° / 250°C



H = Neck height  
 S1 = Thickness collar  
 S2 = Thickness cover  
 V = Hand wheel  
 G = Gasket



300L



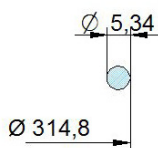
**PRESSURE APPLICATION MANWAYDOOR 1 BAR Ø 300 MM**

Type	ø outside	H = ...mm	S1 collar	S2 cover	P max	304	316
300L - 300L/B	306	150	3	4	-1 / 1 bar	37334300L	37338300LB

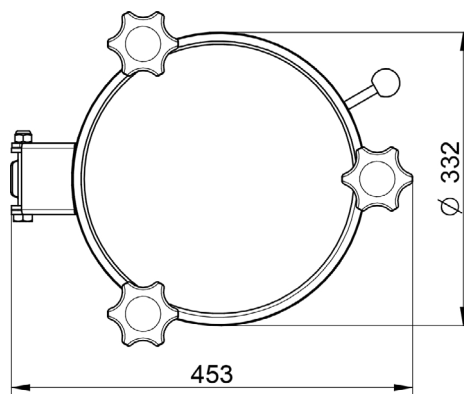
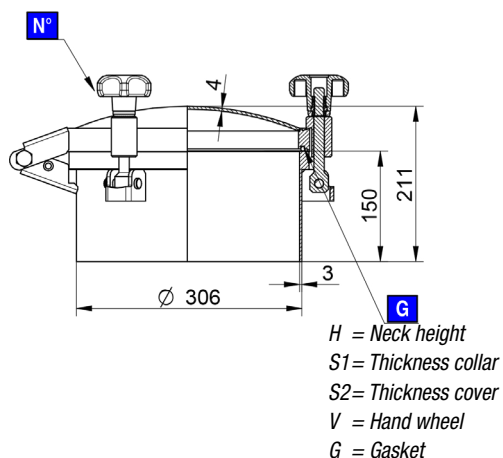
Gasket	EPDM	MVQ (Silicone)	FPM (Viton)	NBR		
G/300P	37303310	37305310	37304310	37301310		

Hand wheel (M14)	art. nr.					
MEC/80 Nylon hand wheel	37309003					
MEC/90 Stainless Steel hand wheel	37309007					

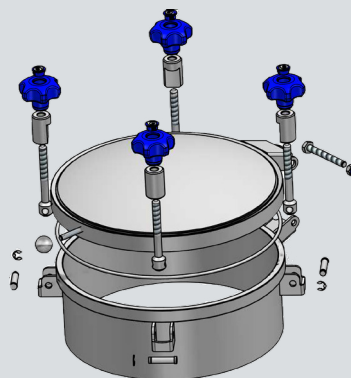
Available in AISI 304 and 316L. 3 nylon hand wheels. Gasket clamped on cover. Available with safety pin.



Material	temperature range
EPDM	-15° / 90°C
NBR	-30° / 110°C
MVQ (Silicone)	-50° / 200°C
FKM (Viton)	-10° / 250°C



400L



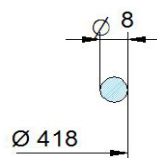
**PRESSURE MANWAY DOOR 1 BAR Ø 400 MM**

Type	ø outside	H =...mm	S1 collar	S2 cover	P max	304	316
400L - 400L/B	406	150	3	4	-1 / 1 bar	37334400L	37338400LB

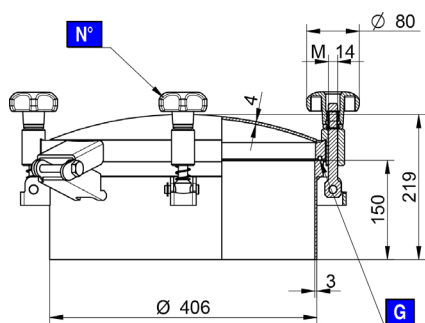
Gasket	EPDM	MVQ (Silicone)	FPM (Viton)	NBR		
G/400P	37303240	37305240	37304240	37301240		

Hand wheel (M14)	art. nr.				
MEC/80 Nylon hand wheel	37309003				
MEC/90 Stainless Steel hand wheel	37309007				
MEC 80/BLU Nylon hand wheel	37309095				

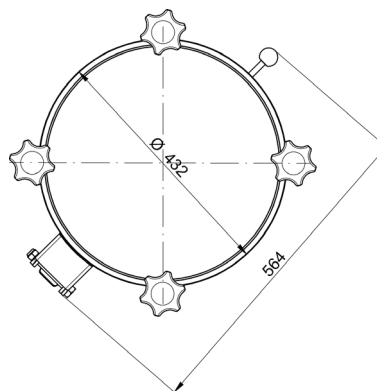
Available in AISI 304 and 316L. 4 nylon hand wheels. Gasket clamped on cover. Available with safety pin.



Material	temperature range
EPDM	-15° / 90°C
NBR	-30° / 110°C
MVQ (Silicone)	-50° / 200°C
FKM (Viton)	-10° / 250°C

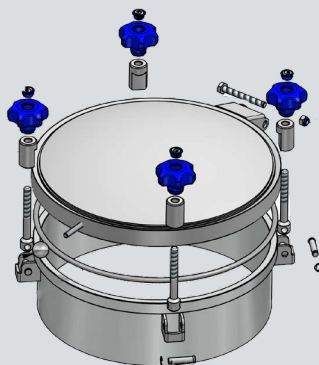


H = Neck height  
 S1 = Thickness collar  
 S2 = Thickness cover  
 V = Hand wheel  
 G = Gasket





450L



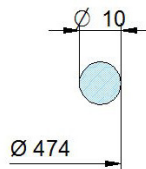
**PRESSURE MANWAY DOOR 1 BAR Ø 450 MM**

Type	ø outside	H = ...mm	S1 collar	S2 cover	P max	304	316
450L - 450L/B	458	150	4	5	-1 / 1 bar	37334450L	37338450LB

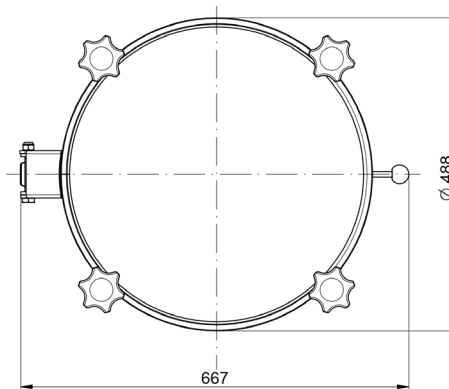
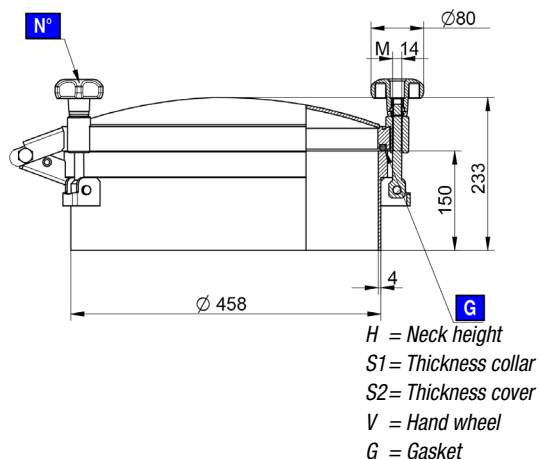
Gasket	EPDM	MVQ (Silicone)	FPM (Viton)	NBR			
G/450P	37303241	37305241	37304241	37301241			

Hand wheel (M14)	art. nr.						
MEC/80 Nylon hand wheel	37309003						
MEC/90 Stainless Steel hand wheel	37309007						

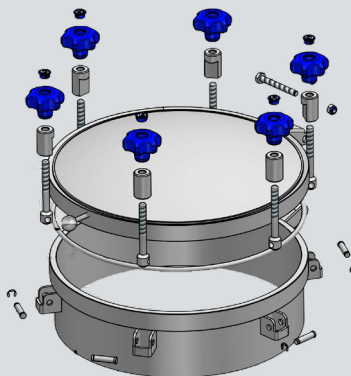
Available in AISI 304 and 316L. 4 nylon hand wheels. Gasket clamped on cover. Available with safety pin.



Material	temperature range
EPDM	-15° / 90°C
NBR	-30° / 110°C
MVQ (Silicone)	-50° / 200°C
FKM (Viton)	-10° / 250°C



500L



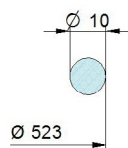
**PRESSURE MANWAYDOOR 1 BAR Ø 500 MM**

Type	ø outside	H =...mm	S1 collar	S2 cover	P max	304	316
500L - 500/B	506	150	4	5	-1 / 1 bar	37334500L	37338500LB

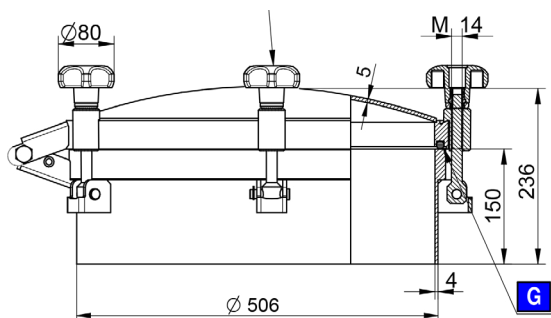
Gasket	EPDM	MVQ (Silicone)	FPM (Viton)	NBR			
G/500P	37303242	37305242	37304242	37301242			

Hand wheel (M14)	art. nr.						
MEC/80 Nylon hand wheel	37309003						
MEC/90 Stainless Steel hand wheel	37309007						

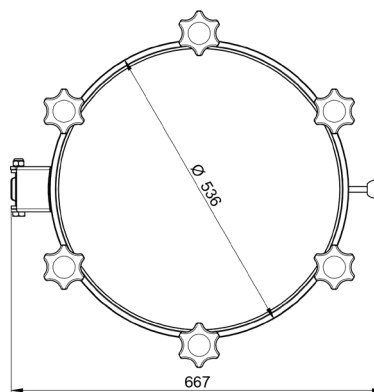
Available in AISI 304 and 316L. 6 nylon hand wheels. Gasket clamped on cover. Available with safety pin.



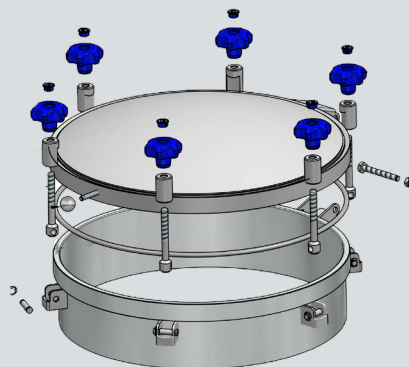
Material	temperature range
EPDM	-15° / 90°C
NBR	-30° / 110°C
MVQ (Silicone)	-50° / 200°C
FKM (Viton)	-10° / 250°C



H = Neck height  
 S1 = Thickness collar  
 S2 = Thickness cover  
 V = Hand wheel  
 G = Gasket



600L



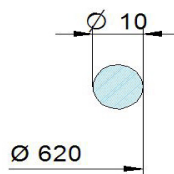
**PRESSURE MANWAYDOOR 1 BAR Ø 600 MM**

Type	ø outside	H = ... mm	S1 collar	S2 cover	P max	304	316
600L - 600L/B	608	150	4	5	-1 / 1 bar	37334600L	37338600LB

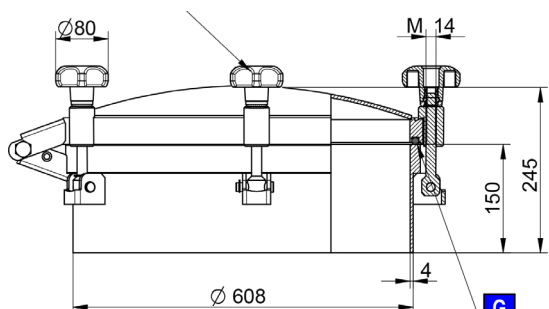
Gasket	EPDM	MVQ (Silicone)	FPM (Viton)	NBR			
G/600P	37303243	37305243	37304243	37301243			

Hand wheel (M14)	art. nr.						
MEC/80 Nylon hand wheel	37303003						
MEC/90 Stainless Steel hand wheel	37309007						

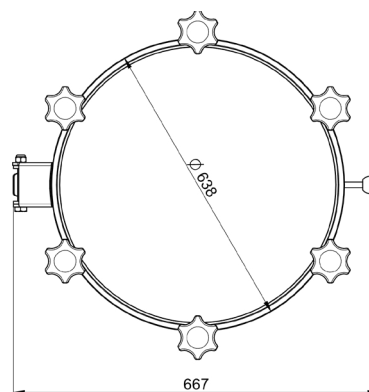
Available in AISI 304 and 316L. 6 nylon hand wheels. Gasket clamped on cover. Available with safety pin.



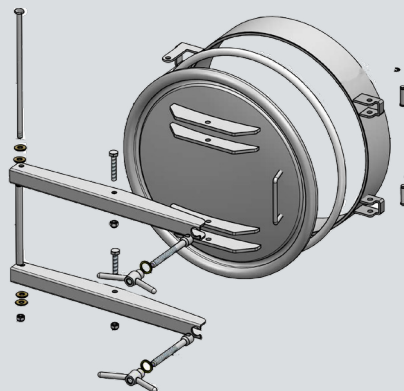
Material	temperature range
EPDM	-15° / 90°C
NBR	-30° / 110°C
MVQ (Silicone)	-50° / 200°C
FKM (Viton)	-10° / 250°C



H = Neck height  
 S1 = Thickness collar  
 S2 = Thickness cover  
 V = Hand wheel  
 G = Gasket



520



**PRESSURE MANWAYDOOR 1 BAR Ø 542 MM**

Type	ø outside	H =...mm	S1 collar	S2 cover	P max	304	316
520 - 520/B	542	80	8	4	1 bar	37334520	37338520B
521 - 521/B	542	100	4	1 bar	37334521	37338521B	

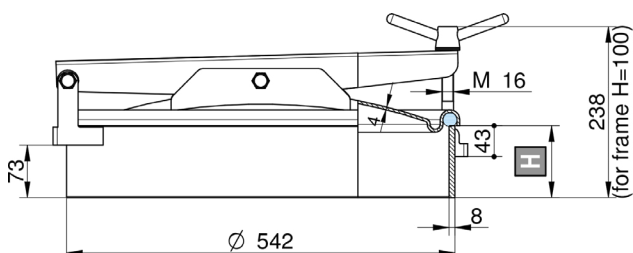
Gasket	EPDM	MVQ (Silicone)	FPM (Viton)	NBR		
G/TR500	37303111	37305111	37304111	37301111		

Hand wheel (M16)	art. nr.					
V/I/165A Stainless Steel hand wheel	37309012					
MEC/80 Nylon hand wheel	37309003					
MEC/150A Nylon hand wheel	37309050					

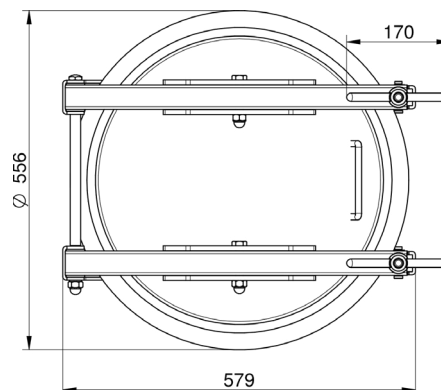
Available in AISI 304 and 316L. Stainless steel handle. Gasket clamped on cover.

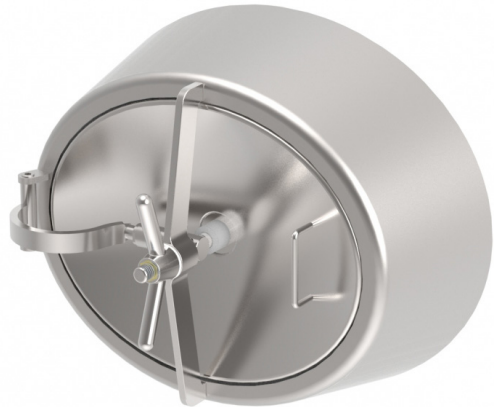


Material	temperature range
EPDM	-15° / 90°C
NBR	-30° / 110°C
MVQ (Silicone)	-50° / 200°C
FKM (Viton)	-10° / 250°C



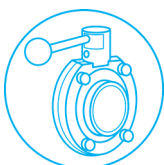
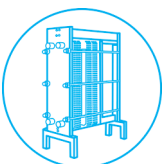
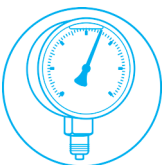
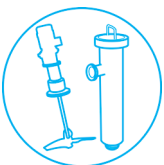
H = Neck height  
 S1 = Thickness collar  
 S2 = Thickness cover  
 V = Hand wheel  
 G = Gasket





# OVAL MANWAY DOORS

---



An oval manway door is usually placed on the side of a tank. Due to the robust stainless steel design in combination with the stainless steel hand wheels, these manway doors are also suitable for pressure applications. The oval manholes can be opened inward and outward and are available in different versions.

To complete the package a sampling valve can be added to the tank in order to take samples. In this way small amounts of product can easily be taken from the tank in order to inspect the product to the set requirements.

**LKD 532X432****PRESSURE APPLICATION INSPECTION DOOR OVAL WITH EPDM GASKET**

Type	L =...mm	W =...mm	H =...mm	S collar	P max	max Temp°C	Hinge	304	316L
LKD 532X432	532	432	Neck 60 mm	3 (ring 12 mm)	2,5 bar	-20° / +90°	yes	37534707AL	37538707AL
LKD 532X432	532	432	Neck 100 mm	3 (ring 12 mm)	2,5 bar	-20° / +90°	yes	37534705AL	37538705AL
LKD 532X432 3A	532	432	Neck 60 mm	3 (ring 12 mm)	2,5 bar	-20° / +90°	yes	37534707AL3A	37538707AL3A
LKD 532X432 3A	532	432	Neck 100 mm	3 (ring 12 mm)	2,5 bar	-20° / +90°	yes	37534705AL3A	37538705AL3A

Gasket	EPDM	NBR	FKM (Viton)	MVQ (Silicone)					
LKD 535x435	AL9613456836	AL9613456837	AL9613456838	AL9613456839					

Available in AISI 304 and 316L. In/outward opening with swing hinge and pivot. Gasket clamped on cover. Stainless steel handle. 3A execution has Ra in- and external 0,8µm.

Material	temperature range
EPDM	-15° / 90°C
NBR	-30° / 110°C
MVQ (Silicone)	-50° / 200°C
FKM (Viton)	-10° / 250°C

**LKD 542X446****PRESSURE APPLICATION INSPECTION DOOR OVAL WITH EPDM GASKET**

Type	L =...mm	W =...mm	H =...mm	S collar	P max	max Temp°C	Hinge	304	316L
LKD 546x446	542	446	Neck 76 mm	3 (ring 12 mm)	2 bar	-20° / +100°	yes	37534708AL	37538708AL

Gasket	EPDM	NBR	FKM (Viton)	MVQ (Silicone)					
LKD 546x446	AL9613456854	AL9613456855	AL9613456856	AL9613456857					

Available in AISI 304 and 316L. In/outward opening with swing hinge and pivot. Gasket clamped on cover. Stainless steel handle.

Material	temperature range
EPDM	-15° / 90°C
NBR	-30° / 110°C
MVQ (Silicone)	-50° / 200°C
FKM (Viton)	-10° / 250°C



**LKD 440X320**



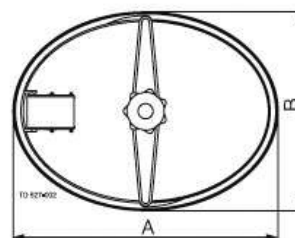
**PRESSURE APPLICATION INSPECTION DOOR OVAL WITH EPDM GASKET**

Type	L =...mm	W =...mm	H =...mm	S collar	P max	max Temp°C	Hinge	304	316
LKD 440x320	440	320	Neck 60 mm	2 (ring 12 mm)	1,5 bar	-20° / +90°	no	37534704AL	37538704AL
LKD 440x320	440	320	Neck 60 mm	2 (ring 12 mm)	1,5 bar	-20° / +90°	yes	37534703AL	37538703AL
LKD 440x320 3A	440	320	Neck 60 mm	2 (ring 12 mm)	1,5 bar	-20° / +90°	no	37534704AL3A	37538704AL3A
LKD 440x320 3A	440	320	Neck 60 mm	2 (ring 12 mm)	1,5 bar	-20° / +90°	yes	37534703AL3A	37538703AL3A

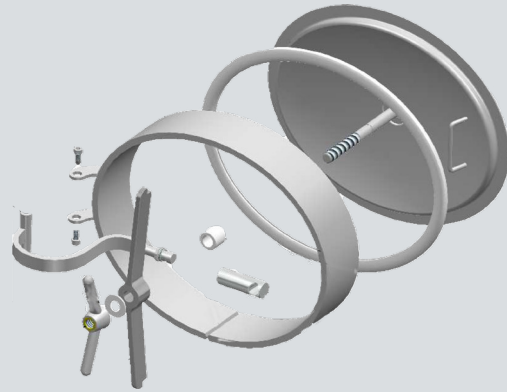
Gasket	EPDM	NBR	FKM (Viton)	MVQ (Silicone)					
LKD 440x320	AL9613456812	AL9613456813	AL9613456814	AL9613456815					

Available in AISI 304 and 316L. Inward opening without hinge.  
 Gasket clamped on cover. Stainless steel handle. 3A execution has  
 Ra in- and external 0,8µm.

Material	temperature range
EPDM	-15° / 90°C
NBR	-30° / 110°C
MVQ (Silicone)	-50° / 200°C
FKM (Viton)	-10° / 250°C



LKD 440 x 320



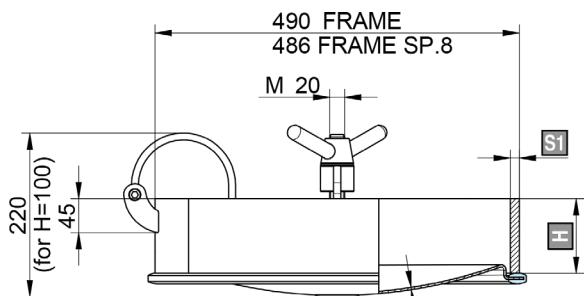
**PRESSURE APPLICATION INSPECTION DOOR OVAL WITH EPDM GASKET**

Type	L =...mm	W =...mm	H =...mm	S1 collar	S2 cover	P max	Hinge	304	316
200 - 200/B	490	400	80	8	3	2,7 bar	ja	37334200	37338200B
201 - 201/B	490	400	100	8		2,7 bar	ja	37334201	37338201B
202 - 202/B	490	400	80	12		2,7 bar	ja	37334202	37338202B
203 - 203/B	490	400	100	12		2,7 bar	ja	37334203	37338203B
202LDX - 202 LDX/B	490	400	80	12		4,1 bar	ja	37334202LDX	37338202LDXB
203LDX - 203LDX/B	490	400	100	12		4,1 bar	ja	37334203LDX	37338203LDXB

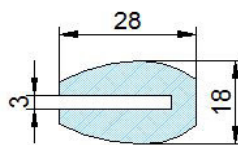
Gasket	EPDM	MVQ (Silicone)	FPM (Viton)	NBR					
G/15	37303209	37305209	37304209	37301209					

Handle (M14)	art. nr.								
V/I/190 Stainless Steel hand wheel	37309011								

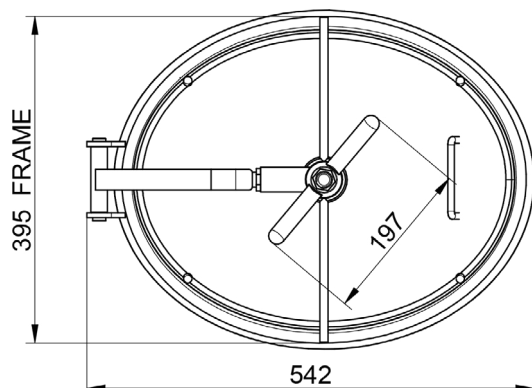
Available in AISI 304 and 316L. In/outward opening with swing hinge.  
Gasket clamped on cover. Stainless steel handle.  
With PED certificate.



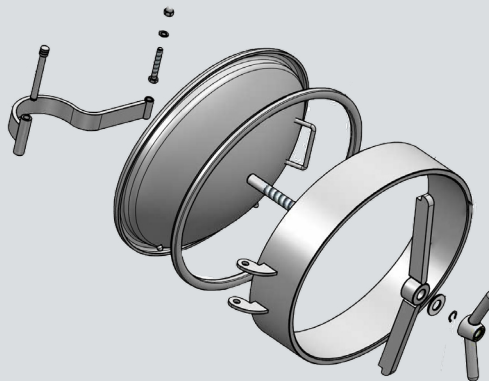
H = Neck height  
S1 = Thickness collar  
S2 = Thickness cover  
V = Hand wheel  
G = Gasket



Material	temperature range
EPDM	-15° / 90°C
NBR	-30° / 110°C
MVQ (Silicone)	-50° / 200°C
FKM (Viton)	-10° / 250°C



200PES



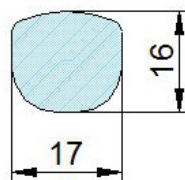
**PRESSURE APPLICATION INSPECTION DOOR OVAL WITH EPDM GASKET**

Type	L =...mm	W =...mm	H =...mm	S1 collar	S2 cover	P max	Hinge	304	316
200/PES - 200/PES/B	490	400	100	12	5	9 bar	no	37334200PES	37338200PESB

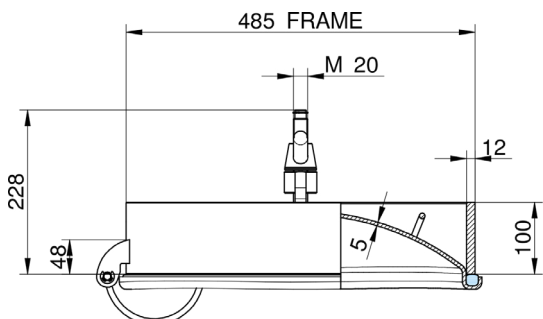
Gasket	EPDM	MVQ (Silicone)	FPM (Viton)	NBR
G/200PES	37303210	37305210	37304210	37301210

Handle (M14)	art. nr.
V/I/190 Stainless Steel hand wheel	37309011

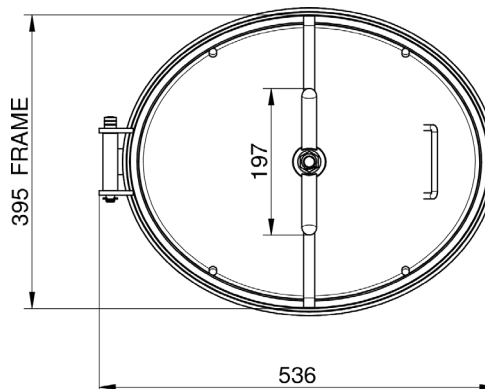
Available in AISI 304 and 316L. Inward opening without hinge. Gasket clamped on cover. Stainless steel handle. With PED certificate.



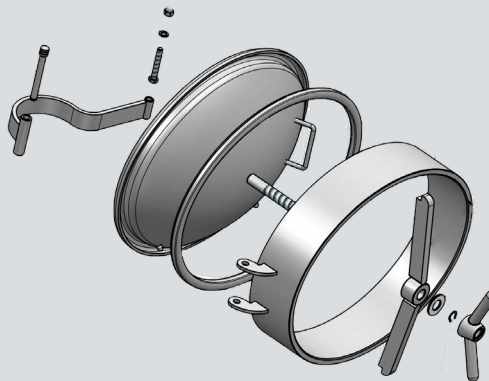
Material	temperature range
EPDM	-15° / 90°C
NBR	-30° / 110°C
MVQ (Silicone)	-50° / 200°C
FKM (Viton)	-10° / 250°C



H = Neck height  
 S1 = Thickness collar  
 S2 = Thickness cover  
 V = Hand wheel  
 G = Gasket



**200/K/PES**



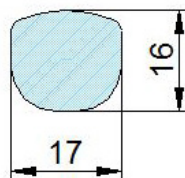
**PRESSURE APPLICATION INSPECTION DOOR OVAL WITH EPDM GASKET**

Type	L =...mm	W =...mm	H =...mm	S1 collar	S2 cover	P max	Hinge	304	316
200/K/PES - 200/K/PES/B	490	400	100	12	5	9 bar	yes	37334200PESK	37338200PESKB

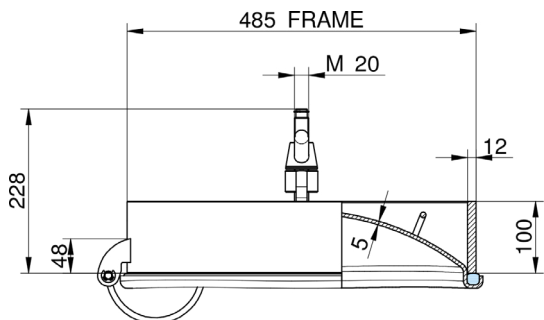
Gasket	EPDM	MVQ (Silicone)	FPM (Viton)	NBR					
G/200PES	37303210	37305210	37304210	37301210					

Handle (M14)	art. nr.								
V//190 Stainless Steel hand wheel	37309011								

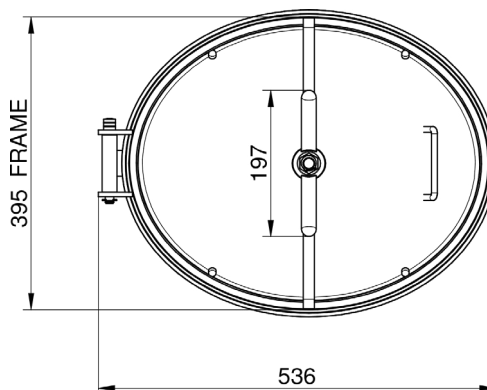
Available in AISI 304 and 316L. In-/Outward opening. Gasket clamped on cover. Stainless steel handle. With PED certificate.



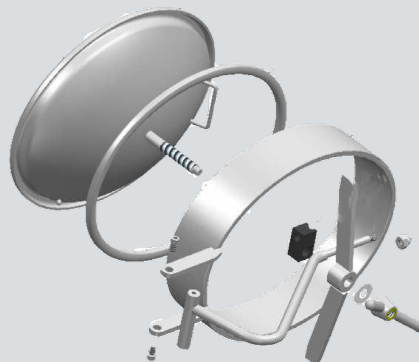
Material	temperature range
EPDM	-15° / 90°C
NBR	-30° / 110°C
MVQ (Silicone)	-50° / 200°C
FKM (Viton)	-10° / 250°C



H = Neck height  
 S1 = Thickness collar  
 S2 = Thickness cover  
 V = Hand wheel  
 G = Gasket



**200PESsnodo**



**PRESSURE APPLICATION INSPECTION DOOR OVAL**

Type	L =...mm	W =...mm	H =...mm	S1 collar	S2 cover	P max hinge	304	316
200PESsnodo	485	295	100	12	5	9 bar	37334200PESsnodo	37338200ESsnodoB

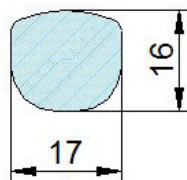
  

Gasket	EPDM	MVQ (Silicone)	FPM (Viton)	NBR				
G/200PES	37303210	37305210	37304210	37301210				

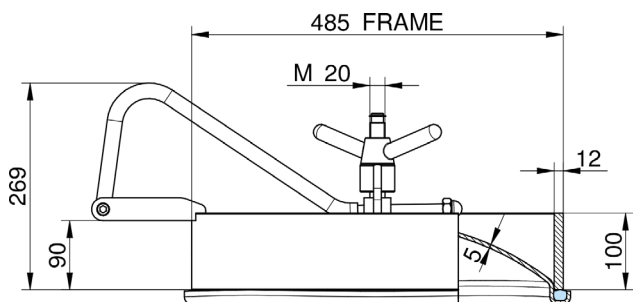
  

Hand wheel (M20)	art. nr.							
Stainless steel hand wheel V/I/190	37309011							

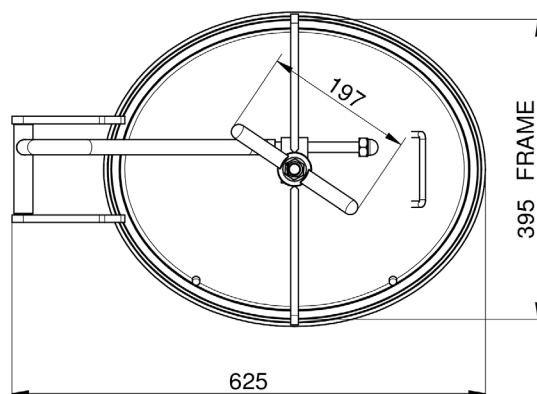
Available in AISI 304 and 316L. In/outward opening with swing hinge. Gasket clamped on cover. Stainless steel handle. With PED certificate.



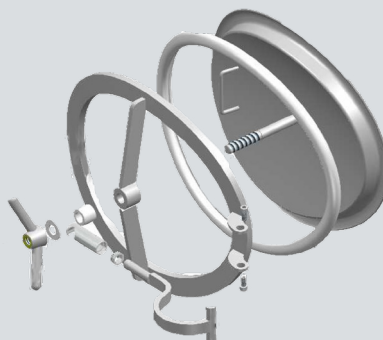
Material	temperature range
EPDM	-15° / 90°C
NBR	-30° / 110°C
MVQ (Silicone)	-50° / 200°C
FKM (Viton)	-10° / 250°C



H = Neck height  
 S1 = Thickness collar  
 S2 = Thickness cover  
 V = Hand wheel  
 G = Gasket



200 R



**PRESSURE APPLICATION INSPECTION DOOR OVAL WITH EPDM GASKET**

Type	L =...mm	W =...mm	H =...mm	S1 collar	S2 cover	P max	Hinge	304	316
200/R - 200/R/B	540	440	15	40	3	3,2 bar	yes	37334200R	37338200RB

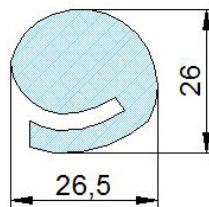
  

Gasket	EPDM	MVQ (Silicone)	FPM (Viton)	NBR
G/200R	37303203	37305203	37304203	37301203

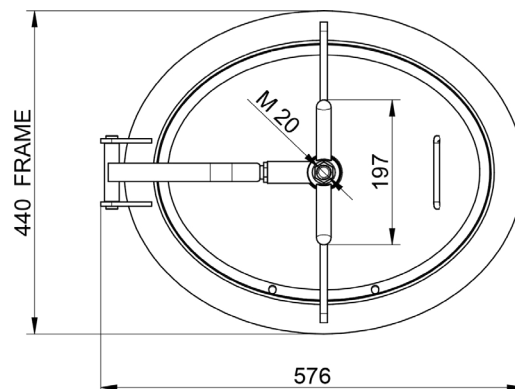
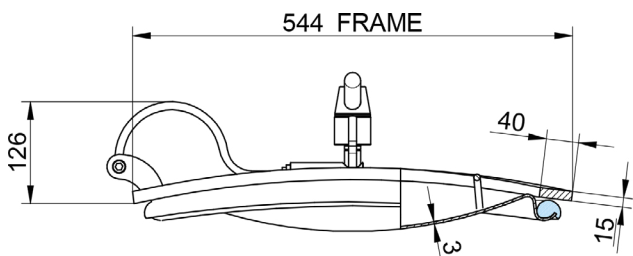
  

Handle (M14)	art. nr.
V/I/190 Stainless Steel hand wheel	37309011

Available in AISI 304 and 316L. In/outward opening with swing hinge.  
 Gasket clamped on cover. Stainless steel handle.  
 With PED certificate.

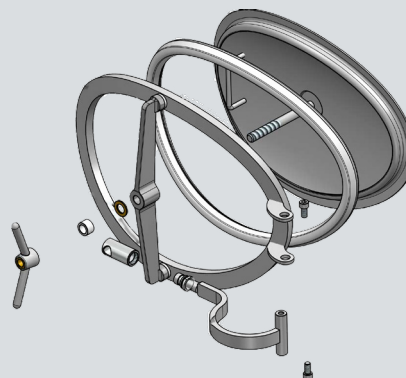


Material	temperature range
EPDM	-15° / 90°C
NBR	-30° / 110°C
MVQ (Silicone)	-50° / 200°C
FKM (Viton)	-10° / 250°C



H = Neck height  
 S1 = Thickness collar  
 S2 = Thickness cover  
 V = Hand wheel  
 G = Gasket

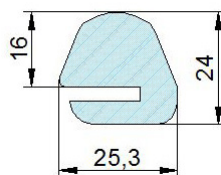
200/RP



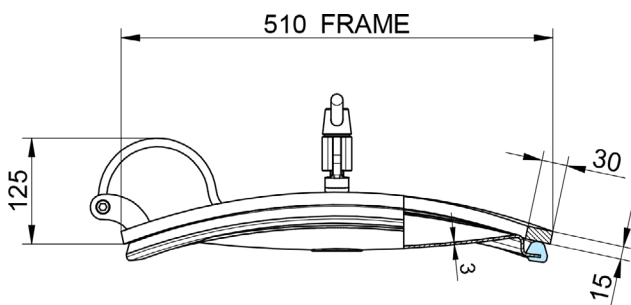
**PRESSURE APPLICATION INSPECTION DOOR OVAL WITH EPDM GASKET**

Type	L =...mm	W =...mm	H =...mm	S1 collar	S2 cover	P max	Hinge	304	316
200/RP - 200/RP/B	509	372	15	30	3	3,2 bar	yes	37334200RP	37338200RPB
Gasket	EPDM	MVQ (Silicone)	FPM (Viton)	NBR					
G/200RP	37303211	37305211	37304211	37301211					
Handle (M14)	art. nr.								
MEC/150 Nylon hand wheel	37309047								
V//165 Stainless Steel hand wheel	37309010								

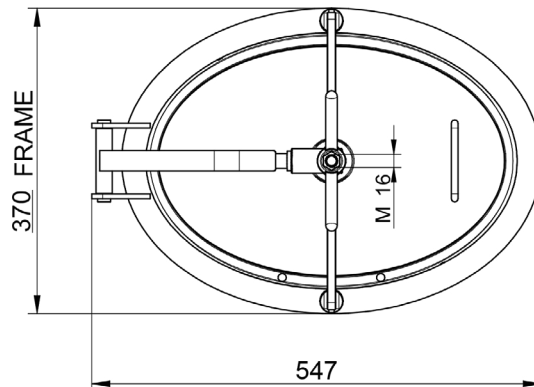
Available in AISI 304 and 316L. In/outward opening with swing hinge. Gasket clamped on cover. Nylon hand wheel. With PED certificate.



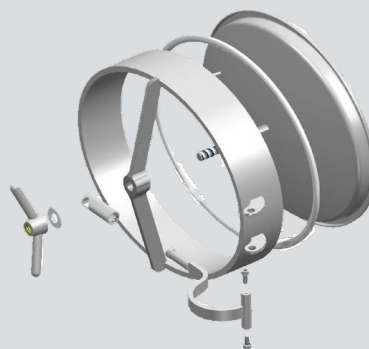
Material	temperature range
EPDM	-15° / 90°C
NBR	-30° / 110°C
MVQ (Silicone)	-50° / 200°C
FKM (Viton)	-10° / 250°C



H = Neck height  
 S1 = Thickness collar  
 S2 = Thickness cover  
 V = Hand wheel  
 G = Gasket



200/LKD



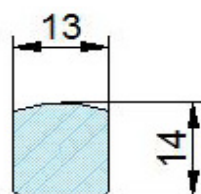
**PRESSURE APPLICATION INSPECTION DOOR OVAL WITH EPDM GASKET**

Type	L =...mm	W =...mm	H =...mm	S1 collar	S2 cover	P max	Hinge	304	316
200/LKD - 200/LKD/B	535	435	60	12	3	4,8 bar	yes	37334200LKD	37338200LKDB
201/LKD - 201/LKD/B	535	435	100	12	3	4,8 bar	yes	37334201LKD	37338201LKDB

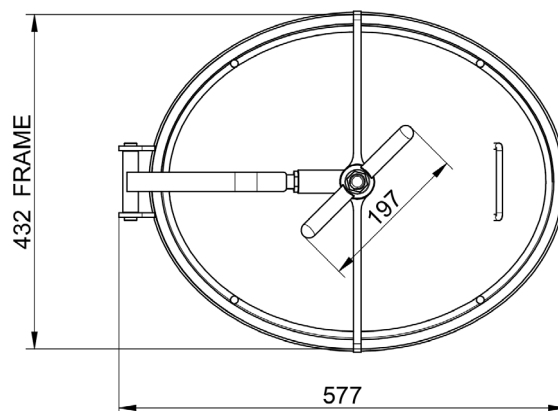
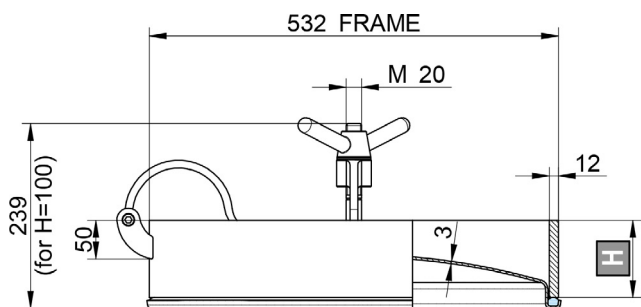
Gasket	EPDM	MVQ (Silicone)	FPM (Viton)	NBR					
G/200LKD	37303202	37305202	37304202	37301202					

Handle (M14)	art. nr.								
V/190 Stainless Steel hand wheel	37309011								

Available in AISI 304 and 316L. In/outward opening with swing hinge. Gasket clamped on cover. Stainless steel handle. With PED certificate.



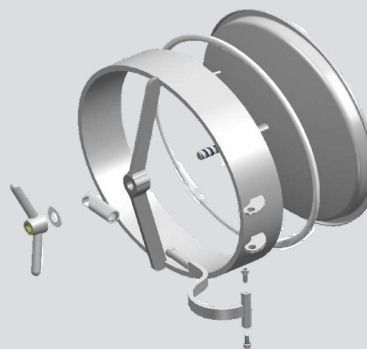
Material	temperature range
EPDM	-15° / 90°C
NBR	-30° / 110°C
MVQ (Silicone)	-50° / 200°C
FKM (Viton)	-10° / 250°C



H = Neck height  
 S1 = Thickness collar  
 S2 = Thickness cover  
 V = Hand wheel  
 G = Gasket



200/LZD



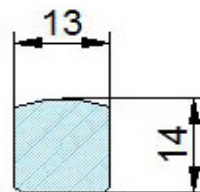
**PRESSURE APPLICATION INSPECTION DOOR OVAL WITH EPDM GASKET**

Type	L =...mm	W =...mm	H =...mm	S1 collar	S2 cover	P max	Hinge	304	316
200/LZD - 200/LZD/B	532	432	60	12	3	4,8 bar	yes	37334200LZD	37338200LZDB
201/LZD - 201/LZD/B	532	432	100	12	3	4,8 bar	yes	37334201LZD	37338201LZDB
207/LZD - 207/LZD/B	532	432	160	12	3	4,8 bar	yes	37334207LZD	37338270LZDB

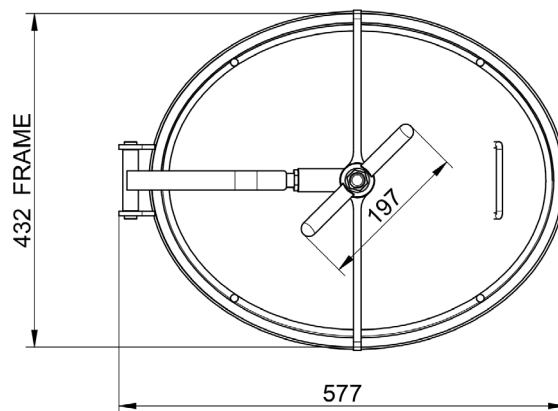
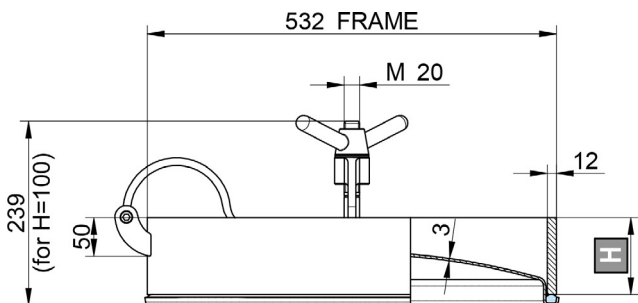
Gasket	EPDM	MVQ (Silicone)	FPM (Viton)	NBR					
G/200LKD	37303202	37305202	37304202	37301202					

Handle (M14)	art. nr.								
V/I/190 Stainless Steel hand wheel	37309011								

Available in AISI 304 and 316L. In/outward opening with swing hinge. Gasket clamped on cover. Stainless steel handle. With PED certificate.



Material	temperature range
EPDM	-15° / 90°C
NBR	-30° / 110°C
MVQ (Silicone)	-50° / 200°C
FKM (Viton)	-10° / 250°C



H = Neck height  
 S1 = Thickness collar  
 S2 = Thickness cover  
 V = Hand wheel  
 G = Gasket

201/LW



**PRESSURE APPLICATION INSPECTION DOOR OVAL WITH EPDM GASKET**

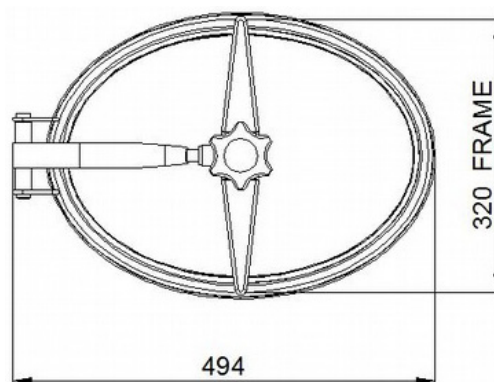
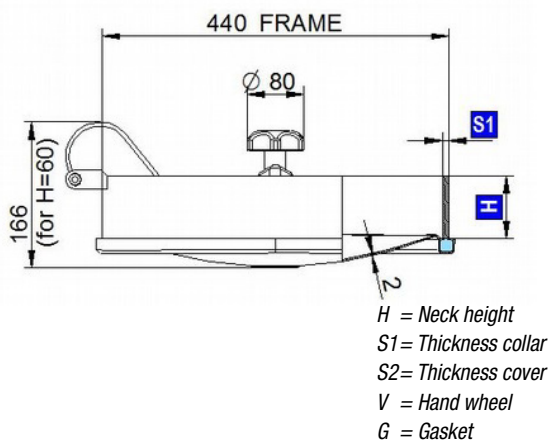
Type	L =...mm	W =...mm	H =...mm	S1 collar	P max	Hinge	304	316
201/LW - 201/LWB	489	378	80	8	2,7 bar	yes	37334201LW	37338201LWB

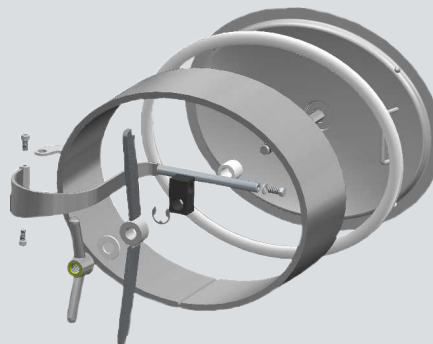
Gasket	EPDM	MVQ (Silicone)	FPM (Viton)	NBR				

Handle (M14)	art. nr.							

Available in AISI 304 and 316L. Inward opening with swing hinge.  
Stainless steel handle. With PED certificate.

Material	temperature range
EPDM	-15° / 90°C
NBR	-30° / 110°C
MVQ (Silicone)	-50° / 200°C
FKM (Viton)	-10° / 250°C





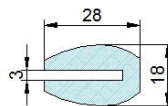
**PRESSURE APPLICATION INSPECTION DOOR OVAL WITH EPDM GASKET**

Type	L =...mm	W =...mm	H =...mm	S1 collar	P max	Hinge	304	316
206 - 206B	541	395	150	12	2,7 bar	yes	37334206	37338206B

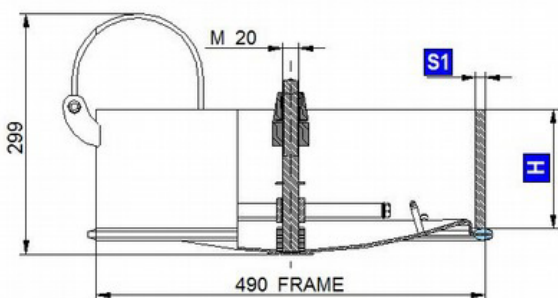
Gasket	EPDM	MVQ (Silicone)	FPM (Viton)	NBR				
G15	37303201	37305201	37304201	37301201				

Handle (M14)	art. nr.							
V/V190 Stainless Steel hand wheel	37309011							

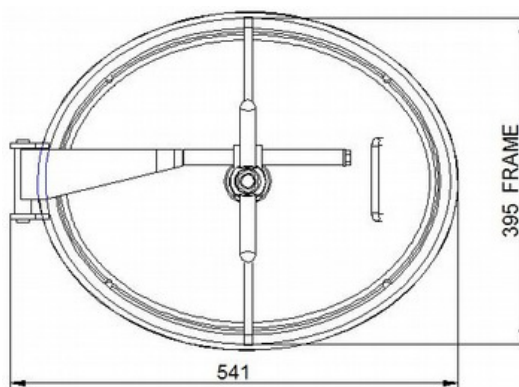
Available in AISI 304 and 316L. In/outward opening with swing hinge. Stainless steel handle. With PED certificate.



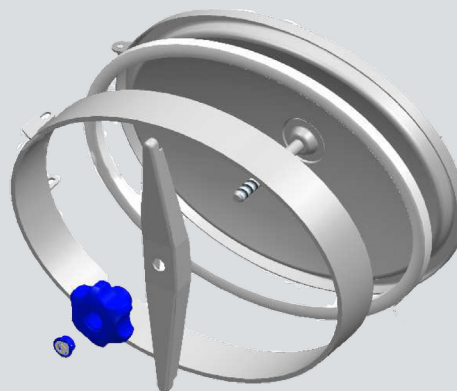
Material	temperature range
EPDM	-15° / 90°C
NBR	-30° / 110°C
MVQ (Silicone)	-50° / 200°C
FKM (Viton)	-10° / 250°C



H = Neck height  
S1 = Thickness collar  
S2 = Thickness cover  
V = Hand wheel  
G = Gasket



170



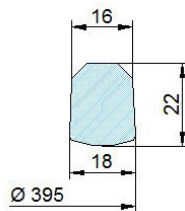
**PRESSURE APPLICATION INSPECTION DOOR OVAL WITH EPDM GASKET**

Type	L =...mm	W =...mm	H =...mm	S1 collar	S2 cover	P max	Hinge	304	316
170 - 170/B	440	320	60	6	2	1,3 bar	no	37334170	37338170B
172 - 172/B	440	320	80	6	2	1,3 bar	no	37334172	37338172B
174 - 174/B	440	320	60	8	2	1,3 bar	no	37334174	37338174B
176 - 176/B	440	320	80	8	2	1,3 bar	no	37334176	37338176B

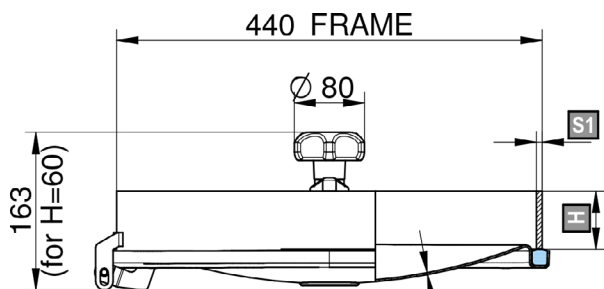
Gasket	EPDM	MVQ (Silicone)	FPM (Viton)	NBR					
G/170	37303200	37305200	37304200	37301200					

Handle (M14)	art. nr.								
MEC/90 Stainless Steel hand wheel	37309007								
MEC/80 Nylon hand wheel	37309003								
V/I/170 Stainless Steel hand wheel	37309023								
MEC/150 Nylon hand wheel	37309047								

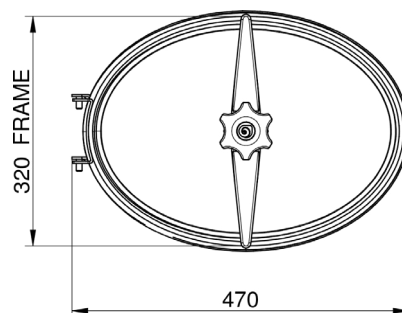
Available in AISI 304 and 316L. Inward opening without hinge. Gasket clamped on cover. Nylon hand wheel.



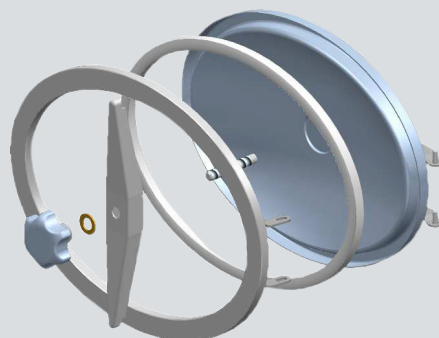
Material	temperature range
EPDM	-15° / 90°C
NBR	-30° / 110°C
MVQ (Silicone)	-50° / 200°C
FKM (Viton)	-10° / 250°C



H = Neck height  
 S1 = Thickness collar  
 S2 = Thickness cover  
 V = Hand wheel  
 G = Gasket



170L



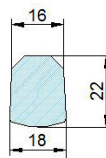
**PRESSURE APPLICATION INSPECTION DOOR OVAL WITH EPDM GASKET**

Type	L =...mm	W =...mm	H =...mm	S1 collar	P max	Hinge	304	316
170L - 170LB	483	360	30	15	1,2 bar	yes	37334170L	37338170LB

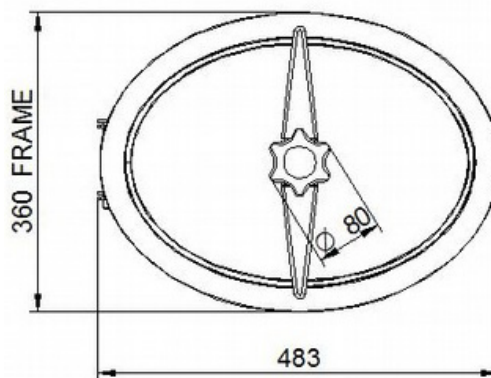
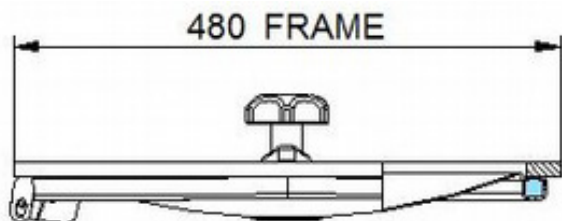
Gasket	EPDM	MVQ (Silicone)	FPM (Viton)	NBR				
G170	37303200	37305200	37304200	37301200				

Handle (M14)	art. nr.							
MEC80 INOX	37309092							

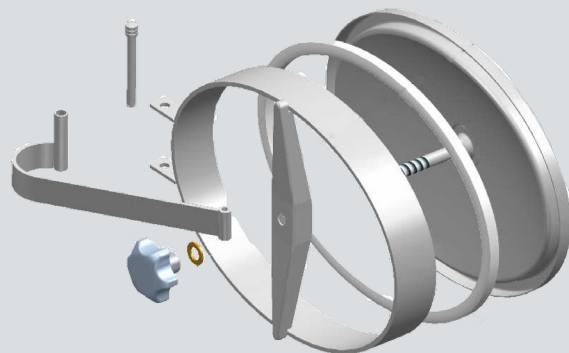
Available in AISI 304 and 316L. Outward opening with swing hinge. Stainless steel handle. With PED certificate.



Material	temperature range
EPDM	-15° / 90°C
NBR	-30° / 110°C
MVQ (Silicone)	-50° / 200°C
FKM (Viton)	-10° / 250°C



H = Neck height  
 S1 = Thickness collar  
 S2 = Thickness cover  
 V = Hand wheel  
 G = Gasket



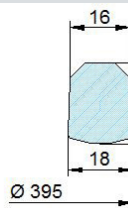
**PRESSURE APPLICATION INSPECTION DOOR OVAL WITH EPDM GASKET**

Type	L =...mm	W =...mm	H =...mm	S1 collar	S2 cover	P max	Hinge	304	316
180 - 180/B	440	320	60	6	2	1,3 bar	yes	37334180	37338180B
182 - 182/B	440	320	80	6	2	1,3 bar	yes	37334182	37338182B
184 - 184/B	440	320	60	8	2	1,3 bar	yes	37334184	37338184B
186 - 186/B	440	320	80	8	2	1,3 bar	yes	37334186	37338186B

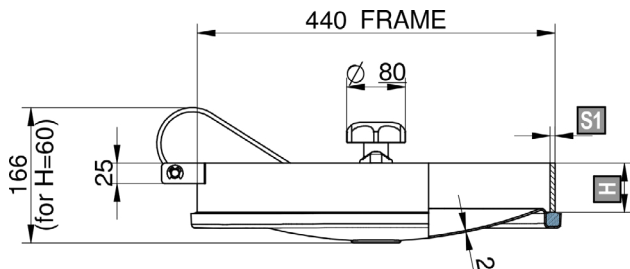
Gasket	EPDM	MVQ (Silicone)	FPM (Viton)	NBR					
G/170	37303200	37305200	37304200	37301200					

Handle (M14)	art. nr.								
MEC/90 Stainless Steel hand wheel	37309007								
V/I/170 Stainless Steel hand wheel	37309023								
MEC/150 mm Nylon hand wheel	37309047								

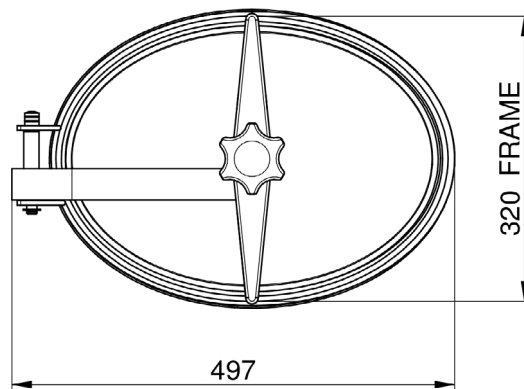
Available in AISI 304 and 316L. Inward opening with hinge. Gasket clamped on cover. Stainless steel hand wheel.



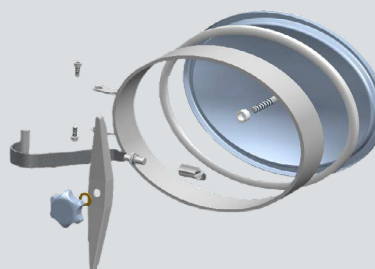
Material	temperature range
EPDM	-15° / 90°C
NBR	-30° / 110°C
MVQ (Silicone)	-50° / 200°C
FKM (Viton)	-10° / 250°C



H = Neck height  
S1 = Thickness collar  
S2 = Thickness cover  
V = Hand wheel  
G = Gasket



180SN



**PRESSURE APPLICATION INSPECTION DOOR OVAL WITH EPDM GASKET**

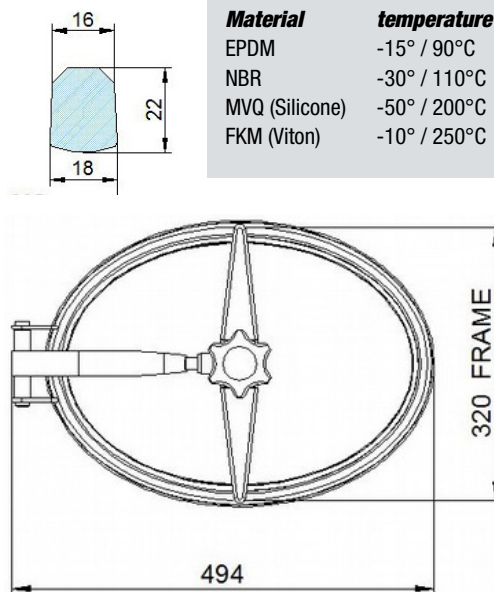
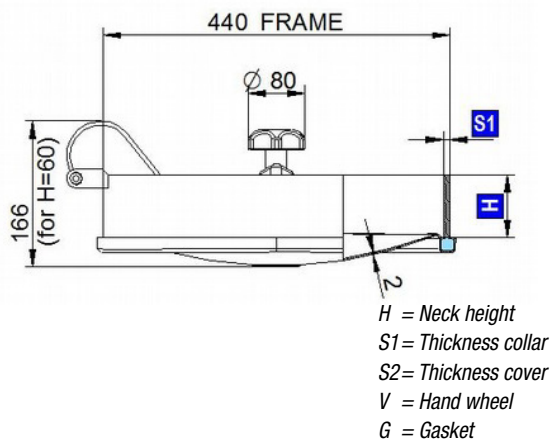
Type	L =...mm	W =...mm	H =...mm	S1 collar	S2 cover	P max	Hinge	304	316
180SN - 180SNB	494	320	60	6	2	1,3 bar	yes	37334180SN	37338180SNB
182SN - 182SNB	494	320	80	6	2	1,3 bar	yes	37334182SN	37338182SNB
184SN - 184SN	494	320	60	8	2	1,3 bar	yes	37334184SN	37338184SNB
186SN - 186SN	494	320	80	8	2	1,3 bar	yes	37334186SN	37338186SNB

Gasket	EPDM	MVQ (Silicone)	FPM (Viton)	NBR
G/170	37303200	37305200	37304200	37301200

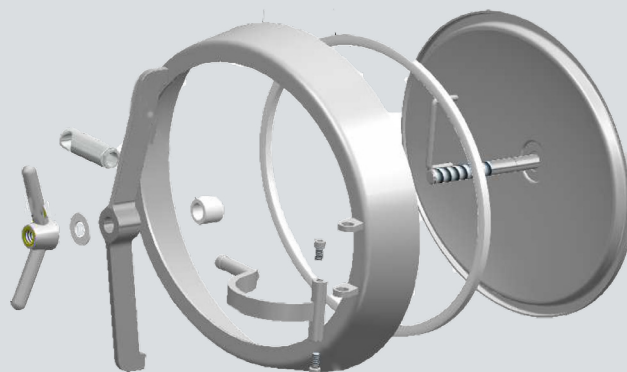
Handle (M14)	art. nr.
MEC/80 Nylon hand wheel	37309003

Available in AISI 304 and 316L. In/outward opening with swing hinge. Stainless steel handle. With PED certificate.

Material	temperature range
EPDM	-15° / 90°C
NBR	-30° / 110°C
MVQ (Silicone)	-50° / 200°C
FKM (Viton)	-10° / 250°C



190



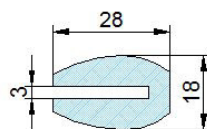
**PRESSURE APPLICATION INSPECTION DOOR OVAL WITH EPDM GASKET**

Type	L =...mm	W =...mm	H =...mm	S1 collar	S2 cover	P max	Hinge	304	316
190 - 190/B	546	447	76	4	3	2,8 bar	yes	37334190	37338190B
190LDX- 190LDX/B	546	447	76	4	3	3,4 bar	yes	37334190LDX	37338190LDXB

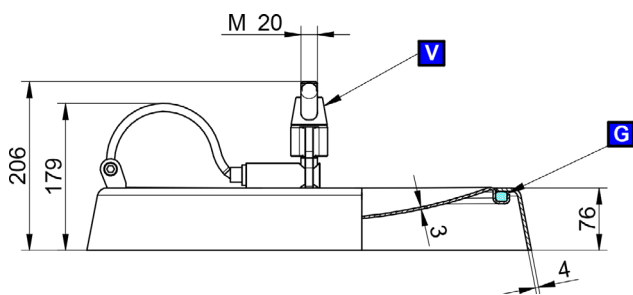
Gasket	EPDM	MVQ (Silicone)	FPM (Viton)	NBR					
G/15	37303201	37305201	37304201	37301201					

Handle (M14)	art. nr.								
V//190 Stainless Steel hand wheel	37309011								

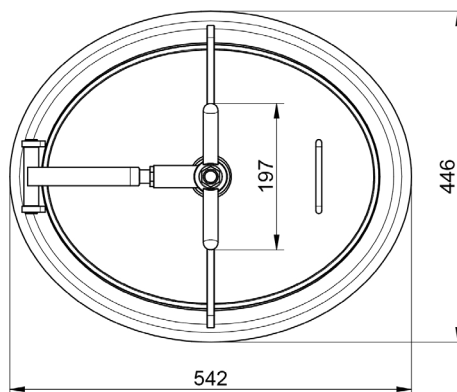
Available in AISI 304 and 316L. In/outward opening with swing hinge.  
Gasket clamped on cover. Stainless steel handle.  
With PED certificate.



Material	temperature range
EPDM	-15° / 90°C
NBR	-30° / 110°C
MVQ (Silicone)	-50° / 200°C
FKM (Viton)	-10° / 250°C

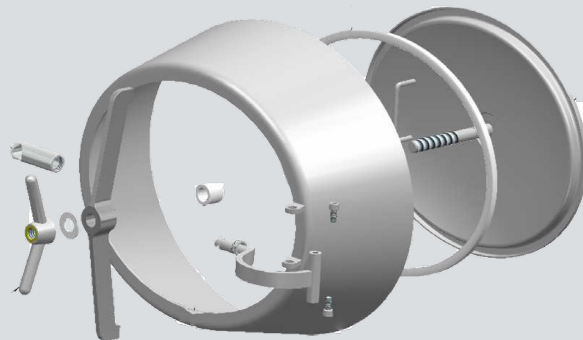


H = Neck height  
S1 = Thickness collar  
S2 = Thickness cover  
V = Hand wheel  
G = Gasket





191



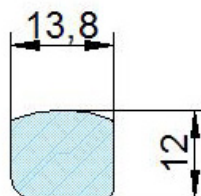
**PRESSURE APPLICATION INSPECTION DOOR OVAL**

Type	L =...mm	W =...mm	H =...mm	S1 collar	S2 cover	P max	hinge	304	316
191 - 191B	542	446	195	4	3	2,7 bar	yes	37334191	37338191B
191LDX - 191LDXB	542	446	195	4	3	3,3 bar	yes	37334191	37338191B

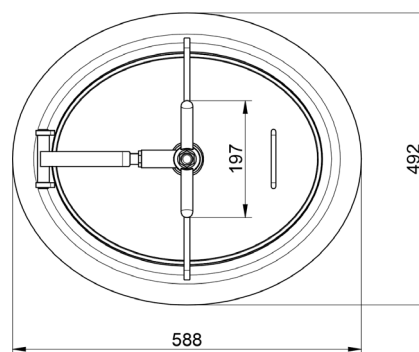
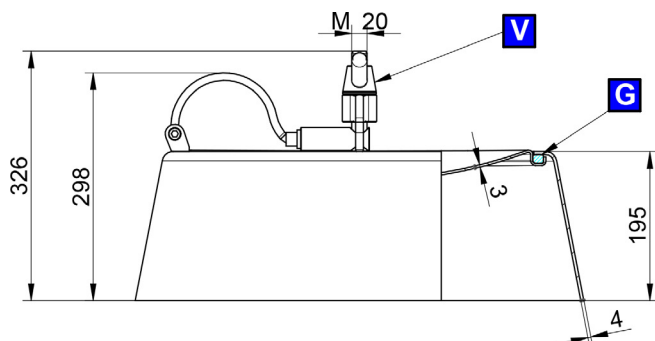
Gasket	EPDM	MVQ (Silicone)	FPM (Viton)	NBR					
G/480	37303302	37395392	37304302	37301302					

Hand wheel (M20)	art. nr.								
V/I/190 Stainless Steel hand wheel	37309011								

Available in AISI 304 and 316L. Stainless steel handle. Gasket clamped on cover.

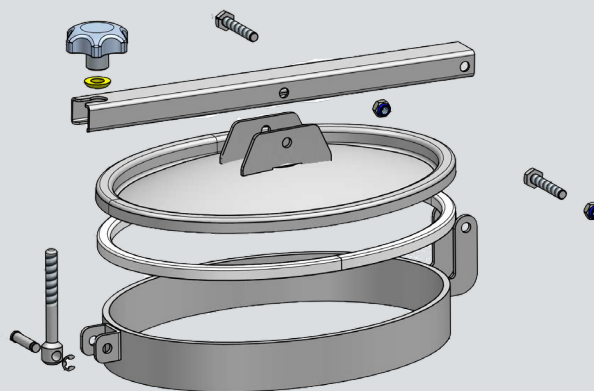


Material	temperature range
EPDM	-15° / 90°C
NBR	-30° / 110°C
MVQ (Silicone)	-50° / 200°C
FKM (Viton)	-10° / 250°C



H = Neck height  
 S1 = Thickness collar  
 S2 = Thickness cover  
 V = Hand wheel  
 G = Gasket

174/AE



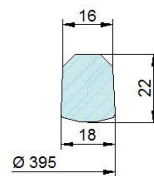
INSPECTION DOOR OVAL WITH EPDM GASKET

Type	L =...mm	W =...mm	H =...mm	S1 collar	S2 cover	P max	304	316
174/AE - 174/AE/B	440	320	60	8	2	0,1 bar	37334174AE	37338174AEB
176/AE - 176/AE/B	440	320	80	8	2	0,1 bar	37334176AE	37338176AEB

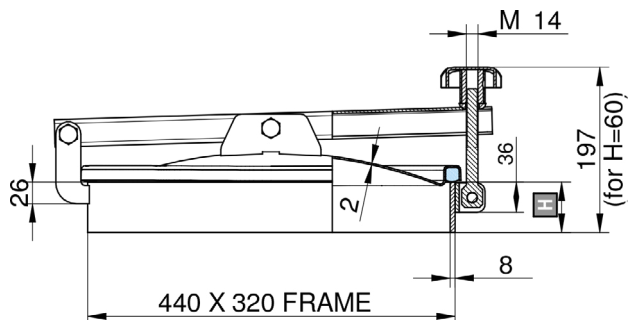
Gasket	EPDM	MVQ (Silicone)	FPM (Viton)	NBR				
G/170	37303200	37305200	37304200	37301200				

Handle (M14)	art. nr.							
V/I/170 Stainless Steel hand wheel	37309023							
MEC/90 Stainless Steel hand wheel	37309007							
MEC/150 Nylon hand wheel	37309047							

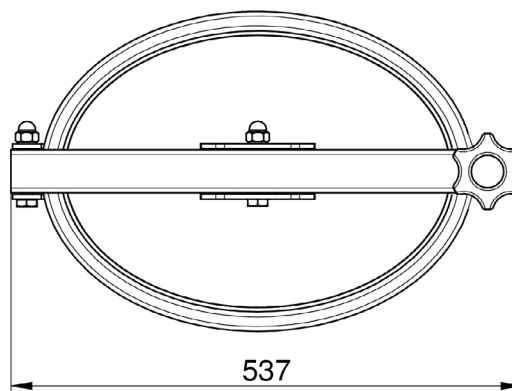
Available in AISI 304 and 316L. Outward opening with hinge. Gasket clamped on cover. Not selfdraining cover. Stainless steel hand wheel.



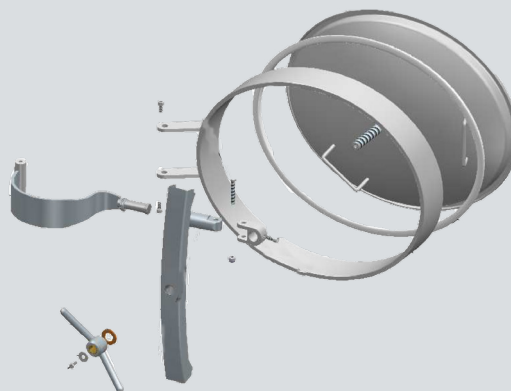
Material	temperature range
EPDM	-15° / 90°C
NBR	-30° / 110°C
MVQ (Silicone)	-50° / 200°C
FKM (Viton)	-10° / 250°C



H = Neck height  
 S1 = Thickness collar  
 S2 = Thickness cover  
 V = Hand wheel  
 G = Gasket



630



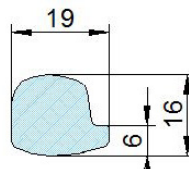
**PRESSURE APPLICATION INSPECTION DOOR OVAL**

Type	L =...mm	W =...mm	H =...mm	S1 collar	S2 cover	P max	hinge	304	316
630	658	532	100	12	4	4 bar	yes	37334630	37338630B
631	658	532	160	4	4 bar	yes	37334631	37338631B	

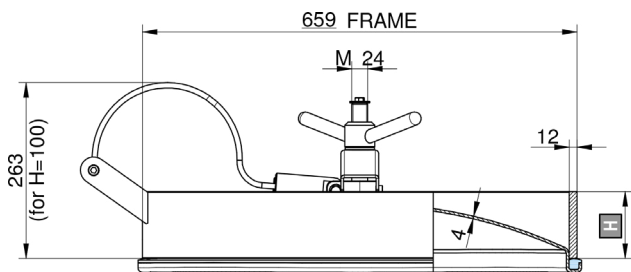
Gasket	EPDM	MVQ (Silicone)	FPM (Viton)	NBR					
G/630	37303303	37305303	37304303	37301303					

Hand wheel (M24)	art. nr.								
V/I/260 Stainless Steel hand wheel	37309016								

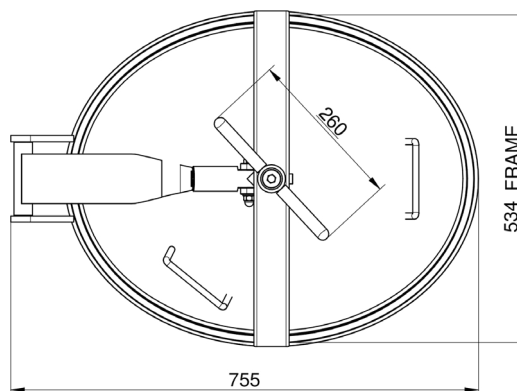
Available in AISI 304 and 316L. In/outward opening with swing hinge. Gasket clamped on cover. Stainless steel handle. Met PED certificaat



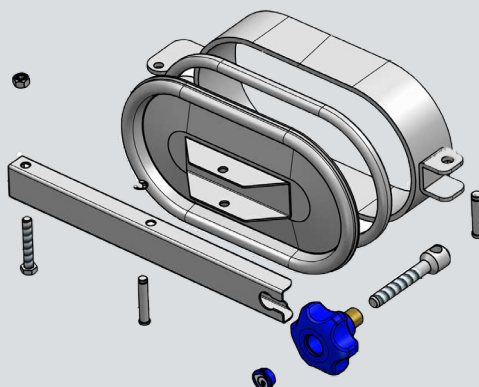
Material	temperature range
EPDM	-15° / 90°C
NBR	-30° / 110°C
MVQ (Silicone)	-50° / 200°C
FKM (Viton)	-10° / 250°C



H = Neck height  
 S1 = Thickness collar  
 S2 = Thickness cover  
 V = Hand wheel  
 G = Gasket



Z/175



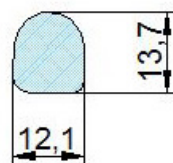
**INSPECTION DOOR OVAL WITH EPDM GASKET**

Type	L =...mm	W =...mm	H =...mm	S1 collar	S2 cover	P max	304	316
Z/175 - Z/175/B	300	165	60	6	2	0,5 bar	37334Z175	37338Z175B
Z/176 - Z/176/B	300	165	100	6	2	0,5 bar	37334Z176	37338Z176B
Z/175/K - Z/175/K/B	300	165	60	6	2	0,5 bar	37334Z175K	37338Z175KB
Z/176/K - Z/176/K/B	300	165	100	6	2	0,5 bar	37334Z176K	37338Z176KB

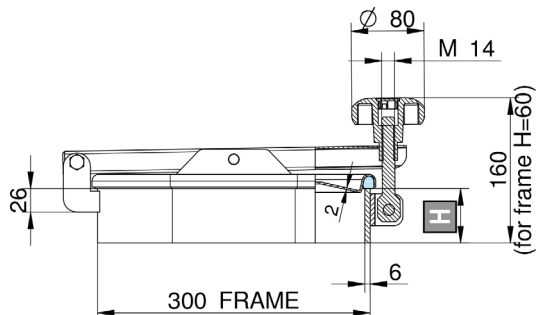
K: with s.s. hand wheel and safety nut and gradual opening system

Gasket	EPDM	MVQ (Silicone)	FPM (Viton)	NBR				
G/Z175	37303025	37305025	37304025	37301025				
Handle (M14)		art. nr.						
MEC/80A Nylon hand wheel		37309004						
MEC/90 Stainless Steel hand wheel		37309007						
V/I/Z/175A Stainless Steel hand wheel		37309024						
V/I/Z/175K Stainless Steel hand wheel		37309025						

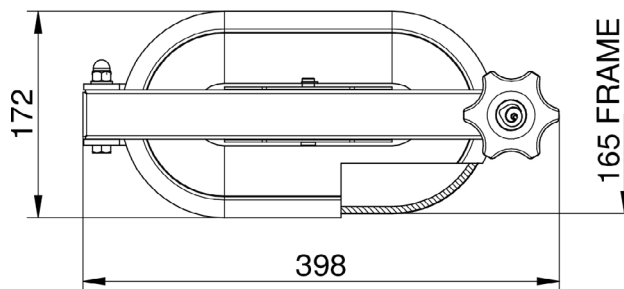
Available in AISI 304 and 316L, Gasket glued in cover.  
Not selfdraining cover. Nylon hand wheel.



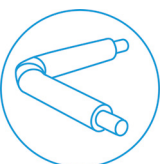
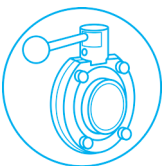
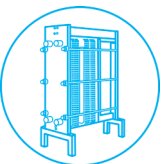
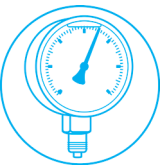
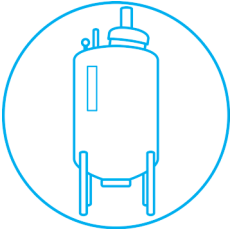
Material	temperature range
EPDM	-15° / 90°C
NBR	-30° / 110°C
MVQ (Silicone)	-50° / 200°C
FKM (Viton)	-10° / 250°C



H = Neck height  
S1 = Thickness collar  
S2 = Thickness cover  
V = Hand wheel  
G = Gasket







# MANHOLES

---

Round manholes are usually placed on the top of the tank. They serve to easily and quickly inspect the contents of your tank. S.K.S. offers a wide range of round stainless steel manholes. The covers are available with different types of handles and various editions.

Whenever a tank needs to be optimally protected against over pressure and/or under pressure such as vacuum S.K.S. has various tank safety systems available. Check our website for all the possibilities or contact one of our product specialists for more information.

**LKDC****HANDWAYDOOR WITH EPDM GASKET**

Type	Ø outside	H =...mm	T collar	P max	304	316L
LKDC-202	202	85	2	0 bar	37534022AL	37538022AL
LKDC-202 3A	202	85	2	0 bar	37534025AL	37538025AL
LKDC-306	306	100	2	0 bar	37534031AL	37538031AL
LKDC-306 3A	306	100	2	0 bar	37534035AL	37538035AL
LKDC-454	454	100	3	0 bar	37534045AL	37538045AL
LKDC-454	454	200	3	0 bar	37534046AL	37538046AL
LKDC-454 3A	454	100	3	0 bar	37534048AL	37538048AL
LKDC-454 3A	454	200	3	0 bar	37534049AL	37538049AL
LKDC-518	518	100	3	0 bar	37534051AL	37538051AL
LKDC-518	518	200	3	0 bar	37534052AL	37538052AL
LKDC-518 3A	518	100	3	0 bar	37534055AL	37538055AL
LKDC-518 3A	518	200	3	0 bar	37534056AL	37538056AL
LKDC-614	614	100	3	0 bar	37534061AL	37538061AL
LKDC-614	614	200	3	0 bar	37534062AL	37538062AL
LKDC-614 3A	614	100	3	0 bar	37534065AL	37538065AL
LKDC-614 3A	614	200	3	0 bar	37534066AL	37538066AL

Gasket	NBR	EPDM	FPM (Viton)			
G-LKDC-202	AL9612317901	AL9612317902	AL9612317903			
G-LKDC-306	AL9612318001	AL9612318002	AL9612318003			
G-LKDC-454	AL9611700450	AL9611700451	AL9611700452			
G-LKDC-516	AL9611701250	AL9611701251	AL9611701252			
G-LKDC-614	AL9613437756	AL9613437757	AL9613437758			

Available in AISI 304 and 316L, access Ø 198, 302, 400, 448, 510 en 614mm. Gasket clamped on collar.  
Selfdraining cover. Nylon hand wheel. 3A edition has Ra 0,8µm.

Material	temperature range
EPDM	-15° / 90°C
NBR	-30° / 110°C
MVQ (Silicone)	-50° / 200°C
FKM (Viton)	-10° / 250°C

**LKDS****MANWAYDOOR**

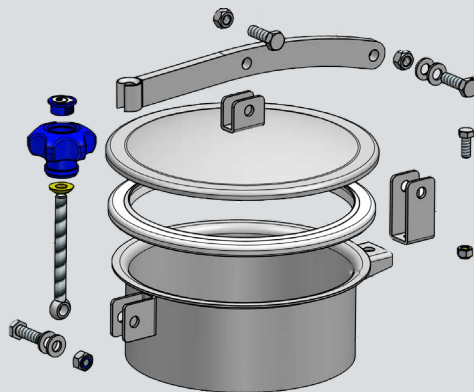
Type	Ø outside	H =...mm	T collar	P max	304	316
LKDS	448	24	3	0 bar	37534140	37538140
LKDS	448	100	3	0 bar	37534141	37538141

Available in AISI 304 and 316L, access Ø 448mm. NO gasket. Selfdraining cover. No closing handle.

<b>Material</b>	<b>temperature range</b>
EPDM	-15° / 90°C
NBR	-30° / 110°C
MVQ (Silicone)	-50° / 200°C
FKM (Viton)	-10° / 250°C



**T1/200**



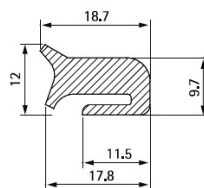
**HANDWAYDOOR WITH EPDM GASKET**

Type	Ø outside	H =...mm	S1 collar	S2 cover	P max	304	316
T1/200 - T1/200/B	202	85	2	1,5	0,5 bar	37334T1200	37338T1200B
T1/201 - T1/201/B	202	150	2	1,5	0,5 bar	37334T1201	37338T1201B
T1/202 - T1/202/B	202	200	2	1,5	0,5 bar	37334T1202	37338T1202B

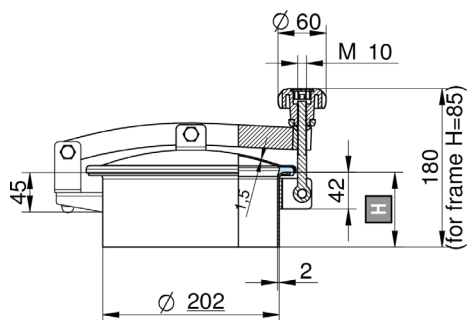
Gasket	EPDM	MVQ (Silicone)	FPM (Viton)	NBR
G/T230	37303099	37305099	37304099	37301099

Handle (M10)	art. nr.
MEC/60 Nylon hand wheel	37309001
VII/295 Stainless Steel hand wheel	37309013

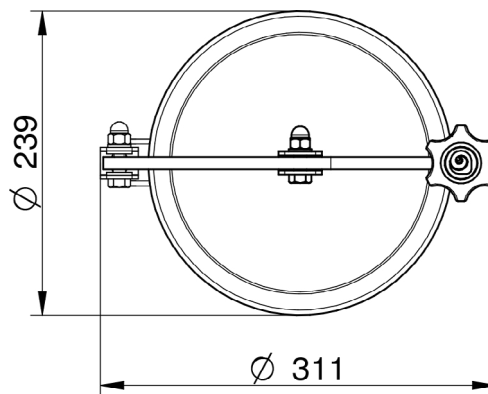
Available in AISI 304 and 316L, access Ø 198mm. Gasket clamped on collar. Selfdraining cover. Nylon hand wheel.



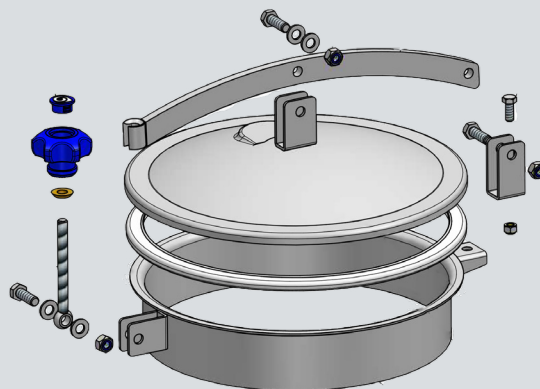
Material	temperature range
EPDM	-15° / 90°C
NBR	-30° / 110°C
MVQ (Silicone)	-50° / 200°C
FKM (Viton)	-10° / 250°C



H = Neck height  
 S1 = Thickness collar  
 S2 = Thickness cover  
 V = Hand wheel  
 G = Gasket



**T1/300**



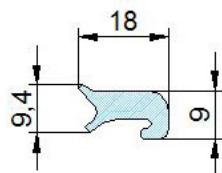
**HANDWAYDOOR WITH EPDM GASKET**

Type	Ø outside	H =...mm	S1 collar	S2 cover	P max	304	316
T1/300 - T1/300/B	306	65	2	1,5	0,1 bar	37334T1300	37338T1300B
T1/301 - T1/301/B	306	100	2	1,5	0,1 bar	37334T1301	37338T1301B
T1/302 - T1/302/B	306	150	2	1,5	0,1 bar	37334T1302	37338T1302B
T1/303 - T1/303/B	306	200	2	1,5	0,1 bar	37334T1303	37338T1303B

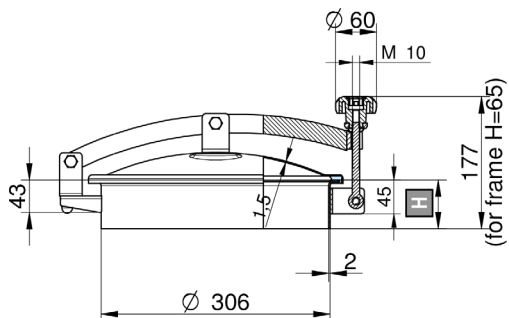
Gasket	EPDM	MVQ (Silicone)	FPM (Viton)	NBR
G/T300	37303213	37305213	37304213	37301213

Handle (M10)	art. nr.
MEC/60 Nylon hand wheel	37309001
V/I/295 Stainless Steel hand wheel	37309013

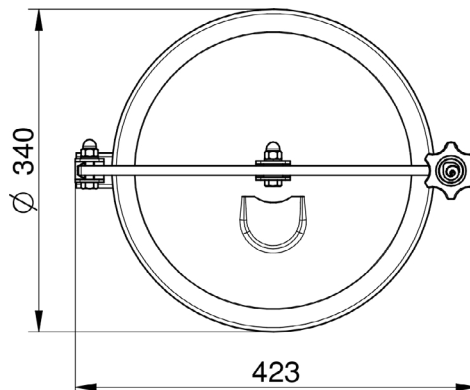
Available in AISI 304 and 316L, access Ø 302mm. Gasket clamped on collar. Selfdraining cover. Nylon hand wheel.



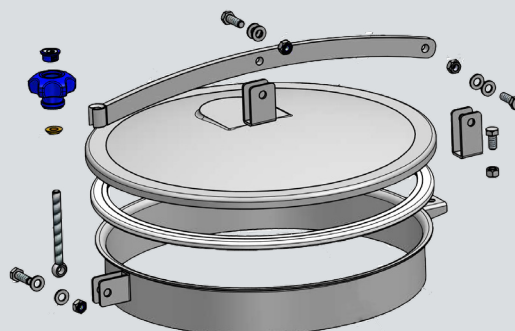
Material	temperature range
EPDM	-15° / 90°C
NBR	-30° / 110°C
MVQ (Silicone)	-50° / 200°C
FKM (Viton)	-10° / 250°C



H = Neck height  
 S1 = Thickness collar  
 S2 = Thickness cover  
 V = Hand wheel  
 G = Gasket



T1/400



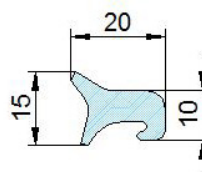
MANWAYDOOR WITH EPDM GASKET

Type	Ø outside	H =...mm	S1 collar	S2 cover	P max	304	316
T1/400 - T1/400/B	404	65	2	2	0 bar	37334T1400	37338T1400B
T1/401 - T1/401/B	404	100	2	2	0 bar	37334T1401	37338T1401B
T1/402 - T1/402/B	404	150	2	2	0 bar	37334T1402	37338T1402B
T1/403 - T1/403/B	404	200	2	2	0 bar	37334T1403	37338T1403B

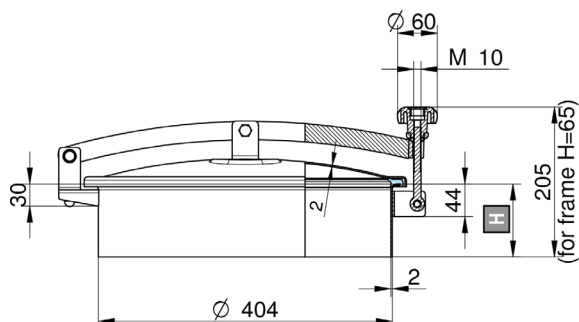
Gasket	EPDM	MVQ (Silicone)	FPM (Viton)	NBR		
G/T400	37303104	37305104	37304104	37301104		

Handle (M10)	art. nr.					
MEC/60 Nylon hand wheel	37309001					
MEC/90 Stainless Steel hand wheel	37309005					
VI/295 Stainless Steel hand wheel	37309013					

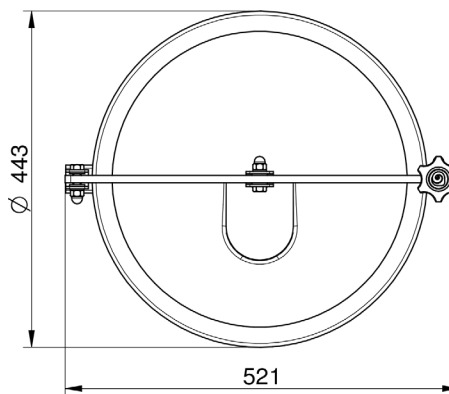
Available in AISI 304 and 316L, access Ø 400mm. Gasket clamped on collar. Selfdraining cover. Nylon hand wheel.



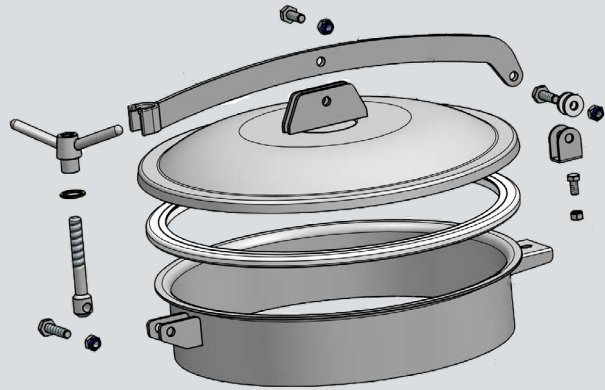
Material	temperature range
EPDM	-15° / 90°C
NBR	-30° / 110°C
MVQ (Silicone)	-50° / 200°C
FKM (Viton)	-10° / 250°C



H = Neck height  
 S1 = Thickness collar  
 S2 = Thickness cover  
 V = Hand wheel  
 G = Gasket



**T1/450**



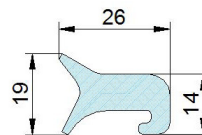
**MANWAYDOOR WITH EPDM GASKET**

Type	Ø outside	H =...mm	S1 collar	S2 cover	P max	304	316
T1/450 - T1/450/B	454	100	3	2	0 bar	37334T1450	37338T1450B
T1/451 - T1/451/B	454	150	3	2	0 bar	37334T1451	37338T1451B
T1/452 - T1/452/B	454	200	3	2	0 bar	37334T1452	37338T1452B

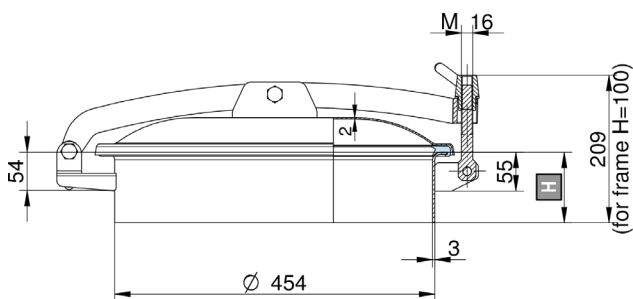
Gasket	EPDM	MVQ (Silicone)	FPM (Viton)	NBR
G/T450	37303105	37305105	37304105	37301105

Handle (M16)	art. nr.
MEC/90 Stainless Steel hand wheel	37309008
V/I/165 Stainless Steel hand wheel	37309010

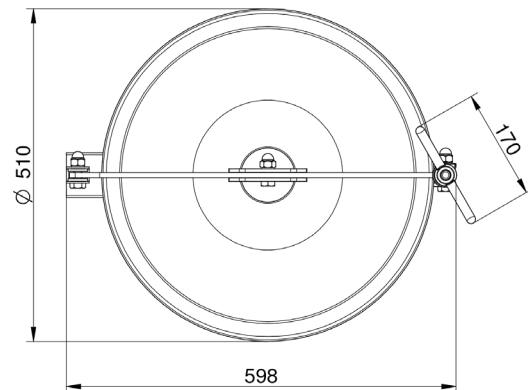
Available in AISI 304 and 316L, access Ø 448mm. Gasket clamped on collar. Selfdraining cover. Stainless steel handle.



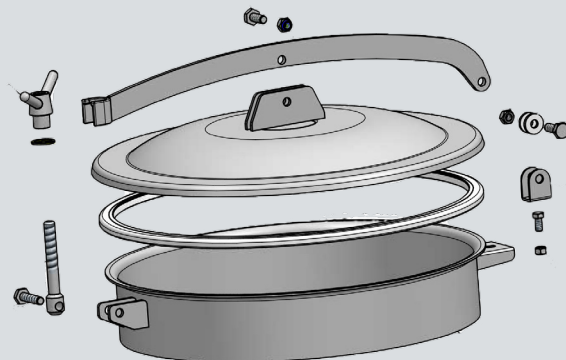
Material	temperature range
EPDM	-15° / 90°C
NBR	-30° / 110°C
MVQ (Silicone)	-50° / 200°C
FKM (Viton)	-10° / 250°C



H = Neck height  
 S1 = Thickness collar  
 S2 = Thickness cover  
 V = Hand wheel  
 G = Gasket



**T1/500**



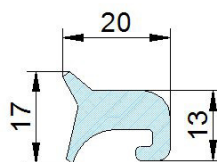
**MANWAYDOOR WITH EPDM GASKET**

Type	Ø outside	H =...mm	S1 collar	S2 cover	P max	304	316
T1/500 - T1/500/B	520	100	3	3	0 bar	37334T1500	37338T1500B
T1/501 - T1/501/B	520	150	3	3	0 bar	37334T1501	37338T1501B
T1/502 - T1/502/B	520	200	3	3	0 bar	37334T1502	37338T1502B

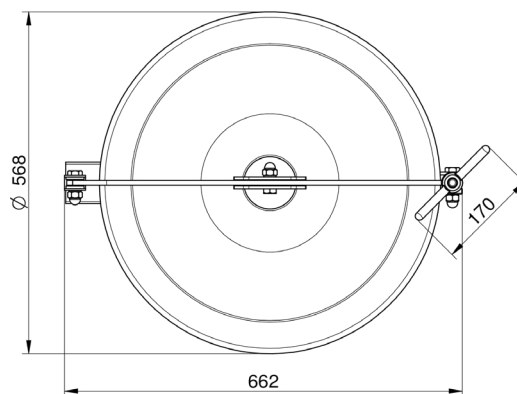
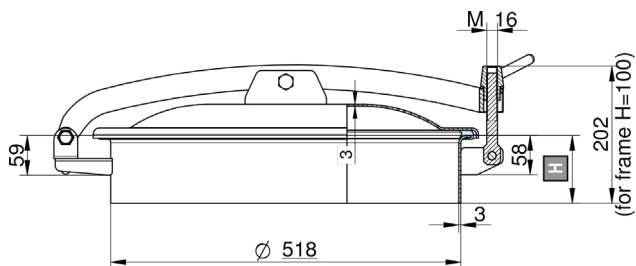
Gasket	EPDM	MVQ (Silicone)	FPM (Viton)	NBR
G/T550	37303113	37313113	37304113	37301113

Handle (M16)	art. nr.
MEC/90 Stainless Steel hand wheel	37309008
V/I/165 Stainless Steel hand wheel	37309010

Available in AISI 304 and 316L, access Ø 514mm. Gasket clamped on collar. Selfdraining cover. Stainless steel handle.

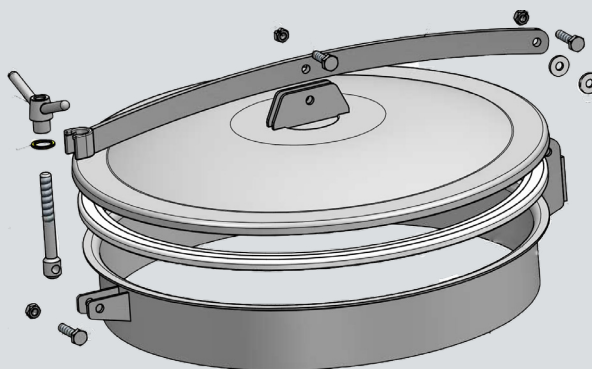


Material	temperature range
EPDM	-15° / 90°C
NBR	-30° / 110°C
MVQ (Silicone)	-50° / 200°C
FKM (Viton)	-10° / 250°C



H = Neck height  
 S1 = Thickness collar  
 S2 = Thickness cover  
 V = Hand wheel  
 G = Gasket

**T1/600**



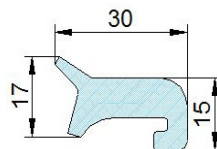
**MANWAYDOOR Ø 600 MM**

Type	ø outside	H =...mm	S1 collar	S2 cover	P max	304	316
T1/600 - T1/600/B	620	100	3	3	0 bar	37334T1600	37338T1600B
T1/601 - T1/601/B	620	150	3	3	0 bar	37334T1601	37338T1601B
T1/602 - T1/602/B	620	200	3	3	0 bar	37334T1602	37338T1602B

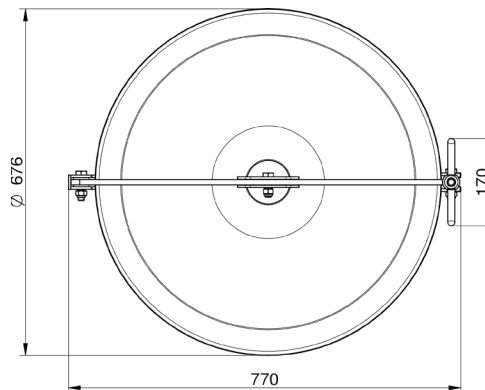
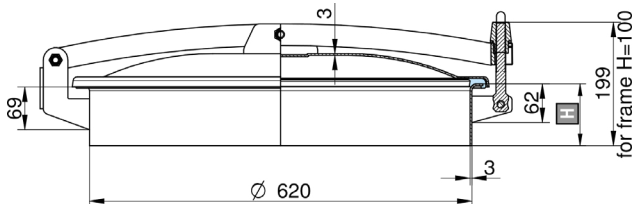
Gasket	EPDM	MVQ (Silicone)	FPM (Viton)	NBR			
G/T600	37303116	37305116	37304116	37301116			

Hand wheel (M16)	art. nr.					
V/I/165A Stainless Steel hand wheel	37309012					
MEC/80 Nylon hand wheel	37309003					

Available in AISI 304 and 316L. Stainless steel hand wheel. Gasket clamped on frame. Selfdraining cover.

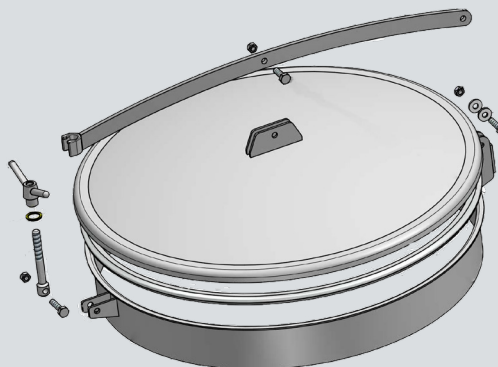


Material	temperature range
EPDM	-15° / 90°C
NBR	-30° / 110°C
MVQ (Silicone)	-50° / 200°C
FKM (Viton)	-10° / 250°C



H = Neck height  
 S1 = Thickness collar  
 S2 = Thickness cover  
 V = Hand wheel  
 G = Gasket

**T1/800**



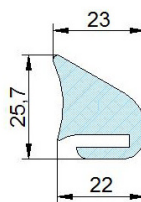
**MANWAYDOOR Ø 800 MM**

Type	ø outside	H =...mm	S1 collar	S2 cover	P max	304	316
T1/800 - T1/800/B	805	100	3	3	0 bar	37334T1800	37338T1800B
T1/801 - T1/801/B	805	150	3	3	0 bar	37334T1801	37338T1801B
T1/802 - T1/802/B	805	200	3	3	0 bar	37334T1802	37338T1802B

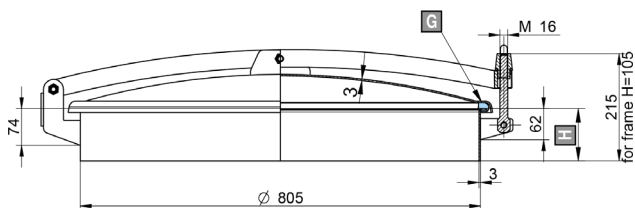
Gasket	EPDM	MVQ (Silicone)	FPM (Viton)	NBR		
G/800	37303307	37305307	37304307	37301307		

Hand wheel (M16)	art. nr.					
V/I/165A Stainless Steel hand wheel	37309012					
MEC/80 Nylon hand wheel	37309003					

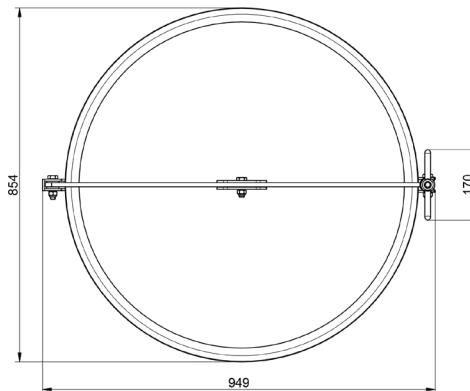
Available in AISI 304 and 316L. Stainless steel hand wheel. Gasket clamped on frame. Selfdraining cover. Available with an opening for breather valve.



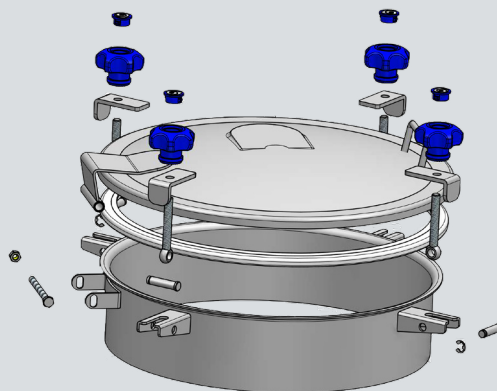
Material	temperature range
EPDM	-15° / 90°C
NBR	-30° / 110°C
MVQ (Silicone)	-50° / 200°C
FKM (Viton)	-10° / 250°C



H = Neck height  
 S1 = Thickness collar  
 S2 = Thickness cover  
 V = Hand wheel  
 G = Gasket



4V/400



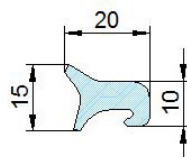
MANWAYDOOR Ø 400 MM

Type	ø outside	H = ...mm	S1 collar	S2 cover	P max	304	316
4V400 - 4V400/B	404	65	2	2	0,2 bar	373344V400	373384V400B
4V401 - 4V401/B	404	100	2	2	0,2 bar	373344V401	373384V401B
4V402 - 4V402/B	404	150	2	2	0,2 bar	373344V402	373384V402B
4V403 - 4V403/B	404	200	2	2	0.2 bar	373344V403	373384V403B

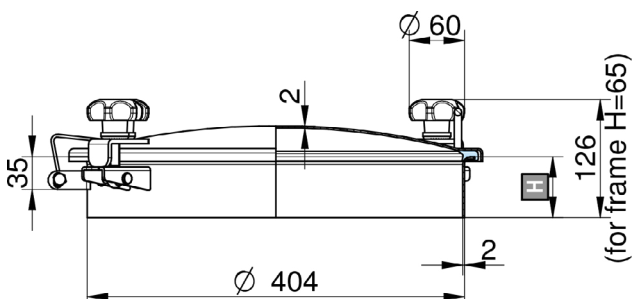
Gasket	EPDM	MVQ (Silicone)	FPM (Viton)	NBR			
G/T400	37303309	37305309	37304309	37301309			

Hand wheel (M10)	art. nr.						
MEC/60 Nylon hand wheel	37309001						
V/I/295 Stainless Steel hand wheel	37309013						

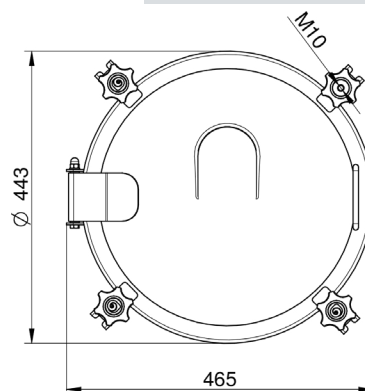
4Available in AISI 304 and 316L. 4 nylon hand wheels. Gasket clamped on cover.



Material	temperature range
EPDM	-15° / 90°C
NBR	-30° / 110°C
MVQ (Silicone)	-50° / 200°C
FKM (Viton)	-10° / 250°C

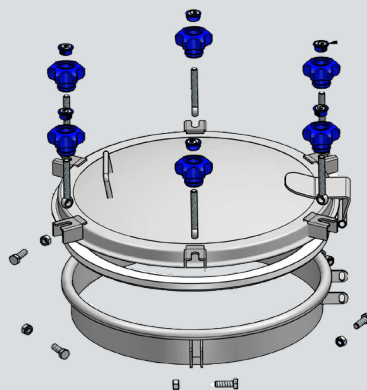


H = Neck height  
 S1 = Thickness collar  
 S2 = Thickness cover  
 V = Hand wheel  
 G = Gasket





6V/250



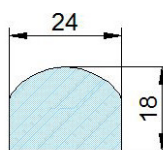
MANWAYDOOR WITH EPDM GASKET Ø 400 MM

Type	Ø outside	H =...mm	S1 collar	S2 cover	P max	nr. bolts	304	316
6V/250 - 6V/250/B	404	65	3	3	1,2 bar	6	373346V250	373386V250B
6V/251 - 6V/251/B	404	100	3	3	1,2 bar	6	373346V251	373386V251B
6V/252 - 6V/252/B	404	150	3	3	1,2 bar	6	373346V252	373386V252B
6V/253 - 6V/253/B	404	200	3	3	1,2 bar	6	373346V253	373386V253B

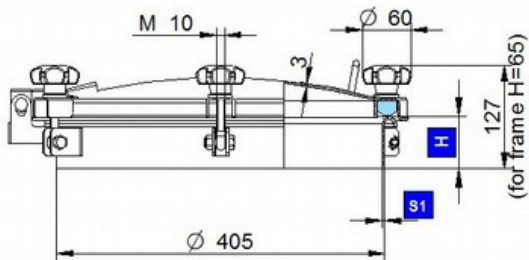
Gasket	EPDM	MVQ (Silicone)	FPM (Viton)	NBR				
G/6V250	37303020	37305020	37304020	37301020				

Hand wheel (M10)	art. nr.							
MEC/60 Nylon hand wheel	37309001							
MEC/60A Nylon hand wheel	37309002							

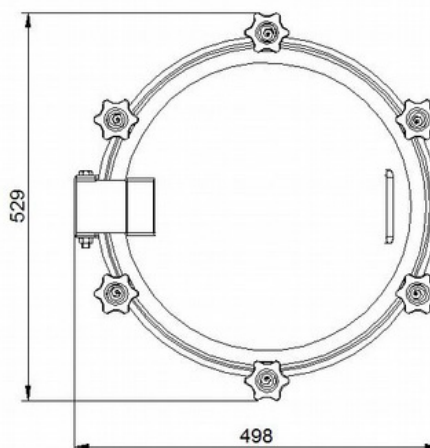
Available in AISI 304 and 316L, access Ø 400mm. Gasket clamped on cover. Selfdraining cover. 6 Nylon hand wheels.



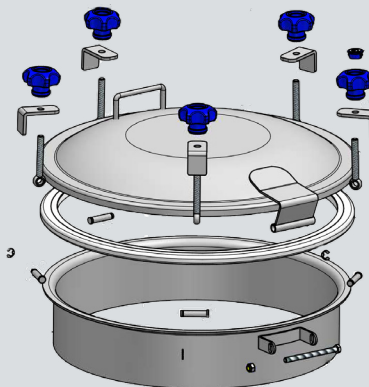
Material	temperature range
EPDM	-15° / 90°C
NBR	-30° / 110°C
MVQ (Silicone)	-50° / 200°C
FKM (Viton)	-10° / 250°C



H = Neck height  
 S1 = Thickness collar  
 S2 = Thickness cover  
 V = Hand wheel  
 G = Gasket



5V/450



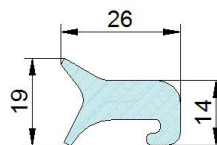
MANWAYDOOR WITH EPDM GASKET Ø 400 MM

Type	Ø outside	H =...mm	S1 collar	S2 cover	P max	nr. bolts	304	316
5V/450 - 5V/450/B	454	100	3	2	0,5 bar	5	373345V450	373385V450B
5V/451 - 5V/451/B	454	150	3	2	0,5 bar	5	373345V451	373385V451B
5V/452 - 5V/452/B	454	200	3	2	0,5 bar	5	373345V452	373385V452B

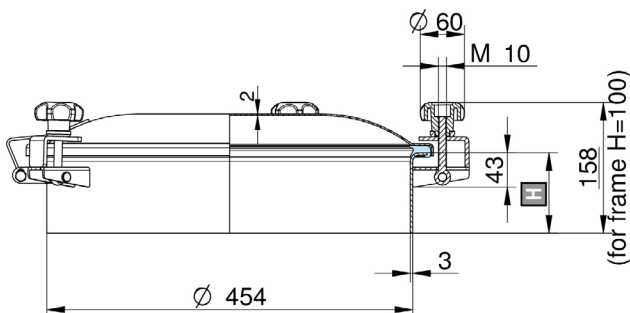
Gasket	EPDM	MVQ (Silicone)	FPM (Viton)	NBR				
G/T450	37303105	37305105	37304105	37301105				

Hand wheel (M10)	art. nr.							
MEC/60 Nylon hand wheel	37309001							
MEC/60A Nylon hand wheel	37309002							

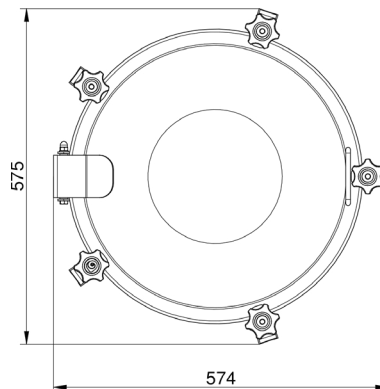
Available in AISI 304 and 316L, access Ø 448mm. Gasket clamped on cover. Selfdraining cover. 5 Nylon hand wheels.



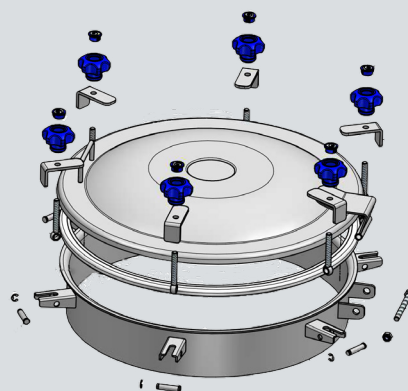
Material	temperature range
EPDM	-15° / 90°C
NBR	-30° / 110°C
MVQ (Silicone)	-50° / 200°C
FKM (Viton)	-10° / 250°C



H = Neck height  
 S1 = Thickness collar  
 S2 = Thickness cover  
 V = Hand wheel  
 G = Gasket



6V/500



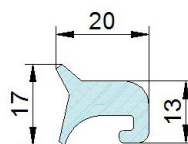
MANWAYDOOR WITH EPDM GASKET Ø 400 MM

Type	Ø outside	H =...mm	S1 collar	S2 cover	P max	nr. bolts	304	316
6V/500 - 6V/500/B	520	100	3	3	0,5 bar	6	373346V500	373386V500B
6V/501 - 6V/501/B	520	150	3	3	0,5 bar	6	373346V501	373386V501B
6V/502 - 6V/502/B	520	200	3	3	0,5 bar	6	373346V502	373386V502B

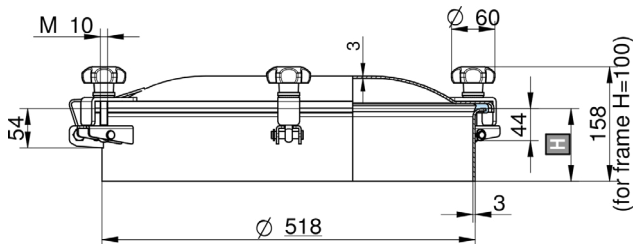
Gasket	EPDM	MVQ (Silicone)	FPM (Viton)	NBR				
G/T500	37303113	37305113	37304113	37301113				

Hand wheel (M10)	art. nr							
MEC/60 Nylon hand wheel	37309001							
MEC/60A Nylon hand wheel	37309002							

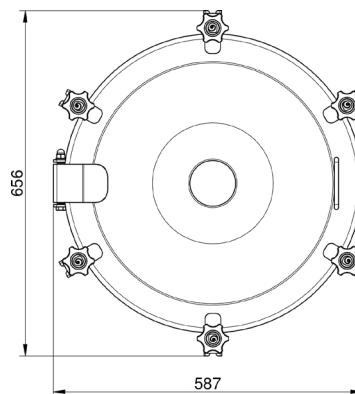
Available in AISI 304 and 316L, access Ø 514mm. Gasket clamped on cover. Selfdraining cover. 6 Nylon hand wheels.



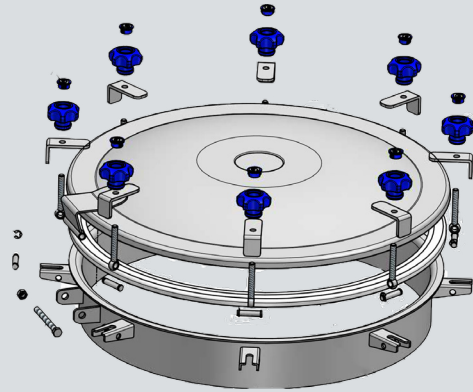
Material	temperature range
EPDM	-15° / 90°C
NBR	-30° / 110°C
MVQ (Silicone)	-50° / 200°C
FKM (Viton)	-10° / 250°C



H = Neck height  
 S1 = Thickness collar  
 S2 = Thickness cover  
 V = Hand wheel  
 G = Gasket



**8V/600**



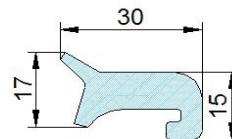
**MANWAYDOOR WITH EPDM GASKET Ø 400 MM**

Type	Ø outside	H =...mm	S1 collar	S2 cover	P max	nr. bolts	304	316
8V/600 - 8V/600/B	620	100	3	3	0,2 bar	8	373348V600	373388V600B
8V/601 - 8V/601/B	620	150	3	3	0,2 bar	8	373348V601	373388V601B
8V/602 - 8V/602/B	620	200	3	3	0,2 bar	8	373348V602	373388V602B

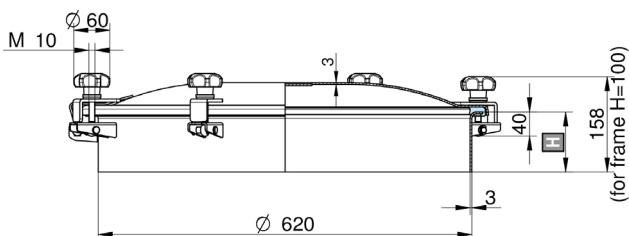
Gasket	EPDM	MVQ (Silicone)	FPM (Viton)	NBR				
G/T600	37303110	37305110	37304110	37301110				

Hand wheel (M10)	art. nr							
MEC/60 Nylon hand wheel	37309001							
MEC/60A Nylon hand wheel	37309002							

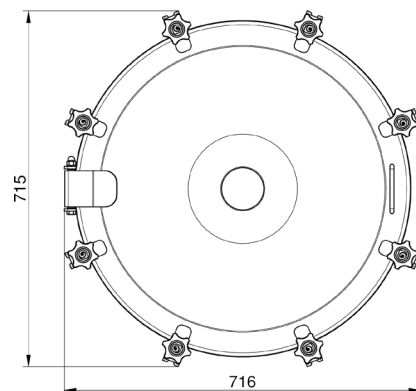
Available in AISI 304 and 316L, access Ø 614mm. Gasket clamped on cover. Selfdraining cover. 8 Nylon hand wheels.



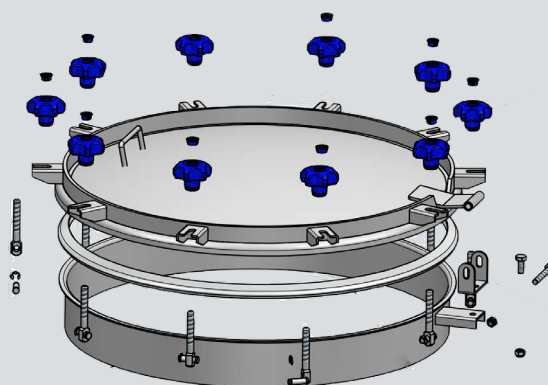
Material	temperature range
EPDM	-15° / 90°C
NBR	-30° / 110°C
MVQ (Silicone)	-50° / 200°C
FKM (Viton)	-10° / 250°C



H = Neck height  
 S1 = Thickness collar  
 S2 = Thickness cover  
 V = Hand wheel  
 G = Gasket



10/V800



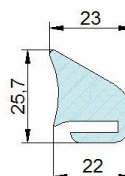
**MANWAYDOOR Ø 800 MM**

Type	ø outside	H =...mm	S1 collar	S2 cover	P max	304	316
10V800	805	105	3	3	0,2 bar	3733410V800	3733810V800B

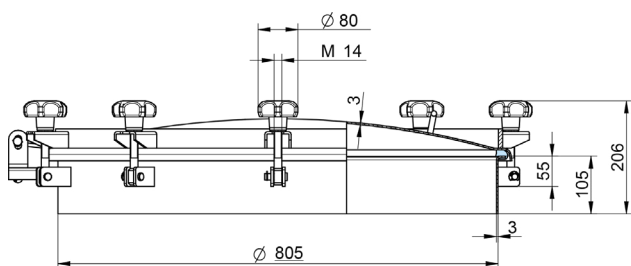
Gasket	EPDM	MVQ (Silicone)	FPM (Viton)	NBR		
G/800	37303307	37305307	37304307	37301307		

Hand wheel (M14)	art. nr.			
MEC/80 Nylon hand wheel	37303003			
V/I/170 Stainless steel hand wheel	37309023			

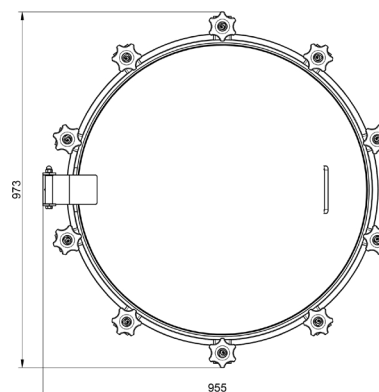
Available in AISI 304 and 316L, access Ø 805 mm. Gasket clamped on cover. Selfdraining cover. 10 nylon hand wheels.



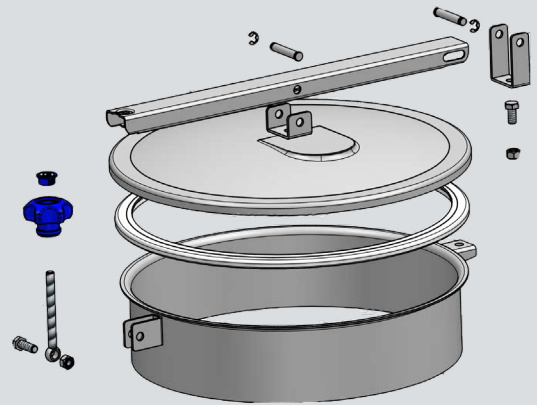
Material	temperature range
EPDM	-15° / 90°C
NBR	-30° / 110°C
MVQ (Silicone)	-50° / 200°C
FKM (Viton)	-10° / 250°C



H = Neck height  
 S1 = Thickness collar  
 S2 = Thickness cover  
 V = Hand wheel  
 G = Gasket



**TV/400**



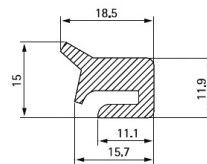
**MANWAYDOOR WITH EPDM GASKET**

Type	Ø outside	H =...mm	S1 collar	S2 cover	P max	304	316
TV/400 - TV/400/B	404	65	2	2	0 bar	37334TV400	37338TV400B
TV/401 - TV/401/B	404	100	2	2	0 bar	37334TV401	37338TV401B
TV/402 - TV/402/B	404	150	2	2	0 bar	37334TV402	37338TV402B
TV/403 - TV/403/B	404	200	2	2	0 bar	37334TV403	37338TV403B

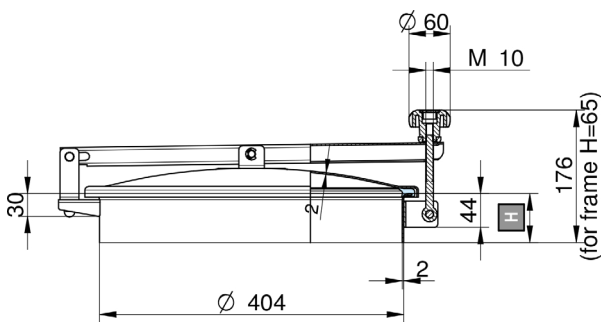
Gasket	EPDM	MVQ (Silicone)	FPM (Viton)	NBR
G/T240	37303104	37305104	37304104	37301104

Handle (M10)	art. nr.
MEC/60 Nylon hand wheel	37309001
VI/295 Stainless Steel hand wheel	37309013

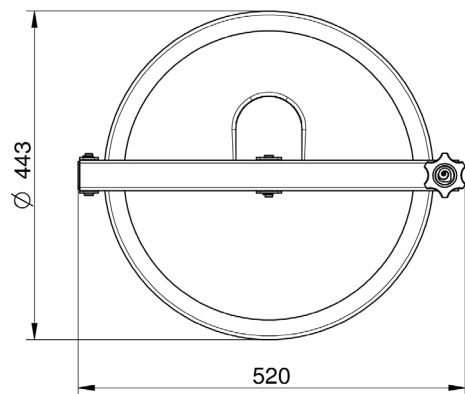
Available in AISI 304 and 316L, access Ø 400mm. Gasket clamped on collar. Selfdraining cover. Nylon hand wheel.



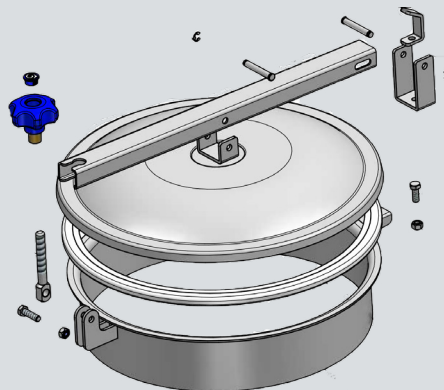
Material	temperature range
EPDM	-15° / 90°C
NBR	-30° / 110°C
MVQ (Silicone)	-50° / 200°C
FKM (Viton)	-10° / 250°C



H = Neck height  
 S1 = Thickness collar  
 S2 = Thickness cover  
 V = Hand wheel  
 G = Gasket



TV/450



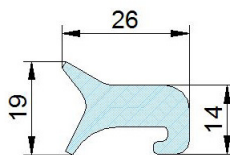
MANWAYDOOR WITH EPDM GASKET

Type	Ø outside	H =...mm	S1 collar	S2 cover	P max	304	316
TV/450 - TV/450/B	454	100	3	2	0 bar	37334TV450	37338TV450B
TV/451 - TV/451/B	454	150	3	2	0 bar	37334TV451	37338TV451B
TV/452 - TV/452/B	454	200	3	2	0 bar	37334TV452	37338TV452B

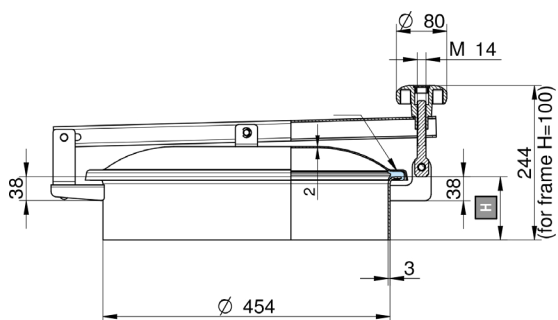
Gasket	EPDM	MVQ (Silicone)	FPM (Viton)	NBR
G/T450	37303105	37305105	37304105	37301105

Handle (M14)	art. nr.
MEC/80A Nylon hand wheel	37309004
MEC/90 Stainless Steel hand wheel	37309007
V/I/170 Stainless Steel hand wheel	37309023

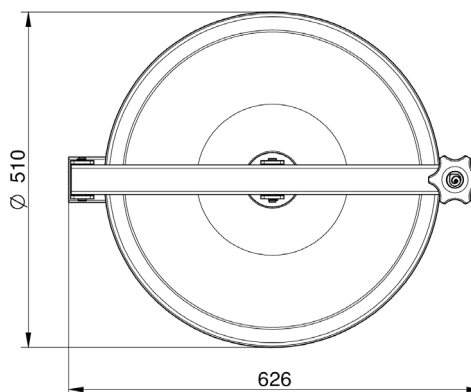
Available in AISI 304 and 316L, access Ø 448mm. Gasket clamped on collar. Selfdraining cover. Nylon hand wheel.



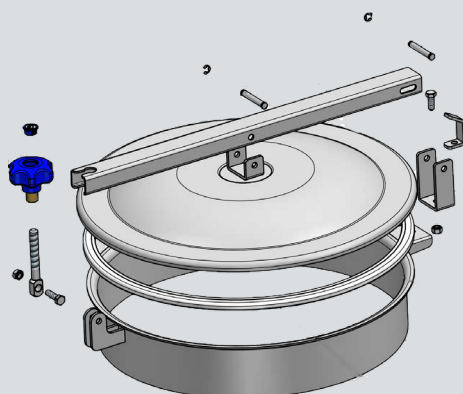
Material	temperature range
EPDM	-15° / 90°C
NBR	-30° / 110°C
MVQ (Silicone)	-50° / 200°C
FKM (Viton)	-10° / 250°C



H = Neck height  
 S1 = Thickness collar  
 S2 = Thickness cover  
 V = Hand wheel  
 G = Gasket



TV/500



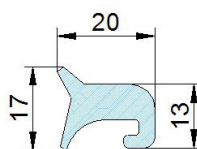
MANWAYDOOR Ø 500 MM

Type	ø outside	H =...mm	S1 collar	S2 cover	P max	304	316
TV/500 - TV/500/B	518	100	3	3	0 bar	37334TV500	37338TV500B
TV/501 - TV/501/B	518	150	3	3	0 bar	37334TV501	37338TV501B
TV/502 - TV/502/B	518	200	3	3	0 bar	37334TV502	37338TV502B

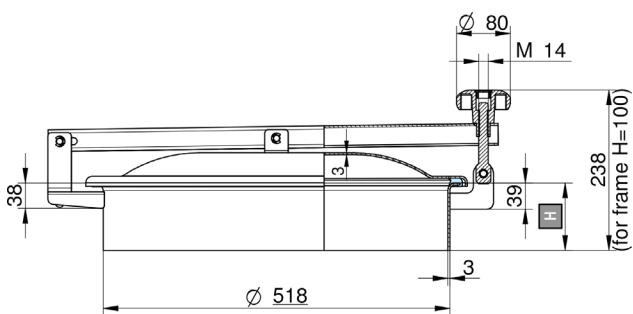
Gasket	EPDM	MVQ (Silicone)	FPM (Viton)	NBR			
G/T500	37303115	37305115	37304115	37301115			

Hand wheel (M14)	art. nr.				
MEC/80A Nylon hand wheel	37309003				
V/Z/175K Stainless Steel hand wheel	37309025				
MEC/80 Nylon hand wheel	37309003				

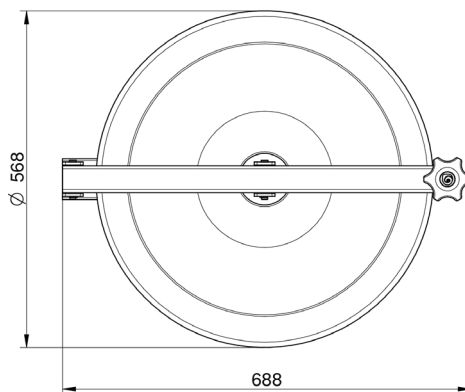
Available in AISI 304 and 316L. Stainless steel hand wheel. Gasket clamped on frame. Selfdraining cover. Available with an opening for breather valve.



Material	temperature range
EPDM	-15° / 90°C
NBR	-30° / 110°C
MVQ (Silicone)	-50° / 200°C
FKM (Viton)	-10° / 250°C

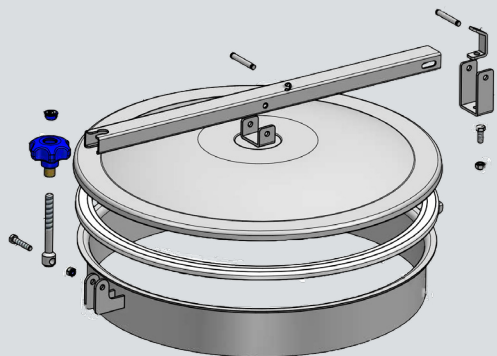


H = Neck height  
 S1 = Thickness collar  
 S2 = Thickness cover  
 V = Hand wheel  
 G = Gasket





TV/600



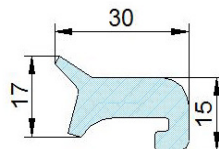
MANWAYDOOR Ø 600 MM

Type	ø outside	H =...mm	S1 collar	S2 cover	P max	304	316
TV/600 - TV/600/B	620	100	3	3	0 bar	37334TV600	37338TV600B
TV/601 - TV/601/B	620	150	3	3	0 bar	37334TV601	37338TV601B
TV/602 - TV/602/B	620	200	3	3	0 bar	37334TV602	37338TV602B

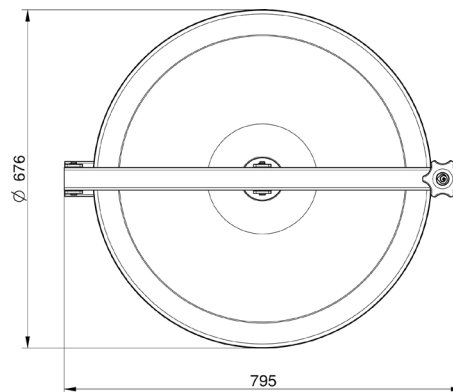
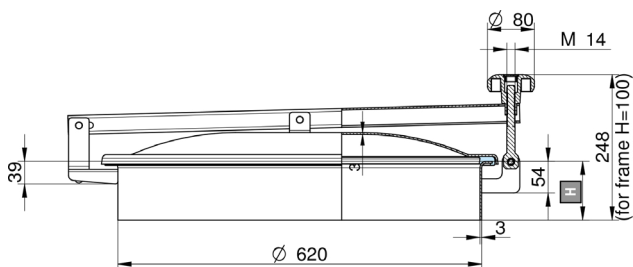
Gasket	EPDM	MVQ (Silicone)	FPM (Viton)	NBR			
G/T600	37303116	37305116	37304116	37301116			

Hand wheel (M14)	art. nr.					
MEC/80 Nylon hand wheelA	37303003					
V/I/Z/175K Stainless Steel hand wheel	37309025					
MEC/80 Nylon hand wheel	37309092					

Available in AISI 304 and 316L. Stainless steel hand wheel. Gasket clamped on frame. Selfdraining cover. Available with an opening for breather valve.

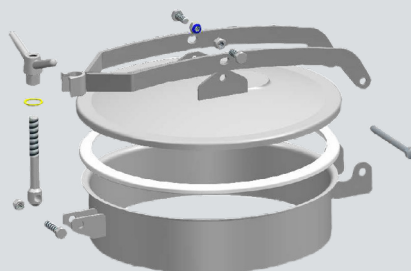


Material	temperature range
EPDM	-15° / 90°C
NBR	-30° / 110°C
MVQ (Silicone)	-50° / 200°C
FKM (Viton)	-10° / 250°C



H = Neck height  
 S1 = Thickness collar  
 S2 = Thickness cover  
 V = Hand wheel  
 G = Gasket

**T/400**



**MANWAY DOOR WITH EPDM GASKET**

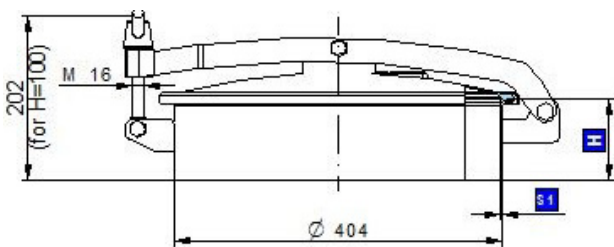
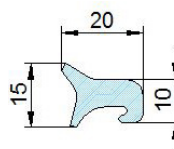
Type	Ø outside	H =...mm	S1 collar	P max	max Temp °C	304	316
T/400	404	100	2	0 / 0,1		37334T400	37338T400B
T/401	404	150	2	0 / 0,1		37334T401	37338T401B
T/402	404	200	2	0 / 0,1		37334T402	37338T402B

Gasket	EPDM	MVQ (Silicone)	FPM (Viton)	NBR		
GT/400	37303309	37305309	37304309	37301309		

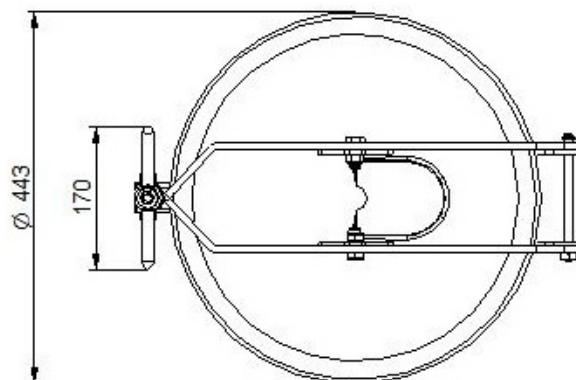
Handwheel (M16)	art. nr.				
V/I/165A Stainless Steel hand wheel	37309012				

Available in AISI 304 and 316L. Outward opening with swing hinge. Stainless steel handle. With PED certificate.

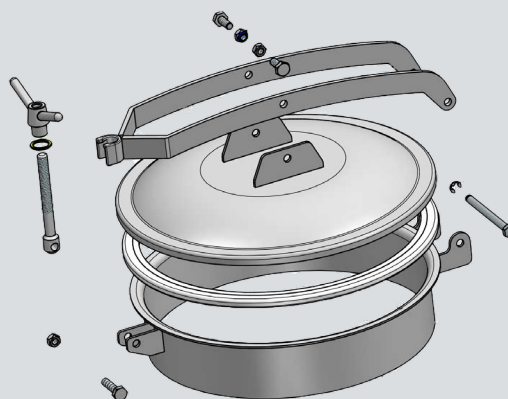
Material	temperature range
EPDM	-15° / 90°C
NBR	-30° / 110°C
MVQ (Silicone)	-50° / 200°C
FKM (Viton)	-10° / 250°C



H = Neck height  
 S1 = Thickness collar  
 S2 = Thickness cover  
 V = Hand wheel  
 G = Gasket



T/450



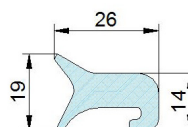
MANWAYDOOR Ø 450 MM

Type	ø outside	H =...mm	S1 collar	S2 cover	P max	304	316
T/450 - T/450/B	454	100	3	2	0,1 bar	37334T450	37338T450B
T/451 - T/451/B	454	150	3	2	0,1 bar	37334T451	37338T451B
T/452 - T/452/B	454	200	3	2	0,1 bar	37334T452	37338T452B

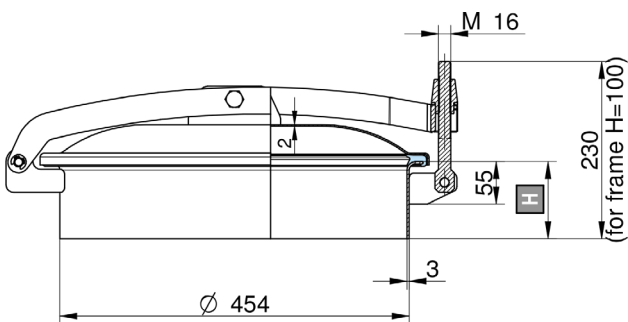
Gasket	EPDM	MVQ (Silicone)	FPM (Viton)	NBR			
G/T450	37303105	37305105	37304105	37301105			

Hand wheel (M16)	art. nr.						
V/I/165A Stainless Steel hand wheel	37309012						
MEC/90 Stainless Steel hand wheel	37309007						

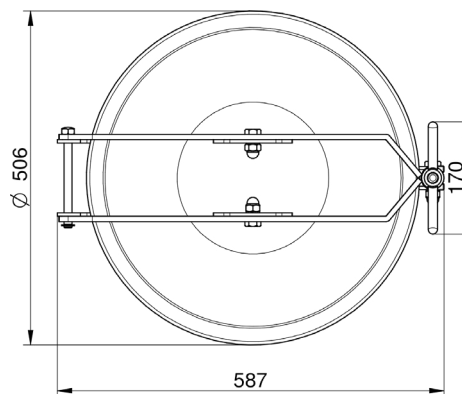
Available in AISI 304 and 316L. Stainless steel hand wheel. Gasket clamped on frame. Selfdraining cover. Available with an opening for breather valve.



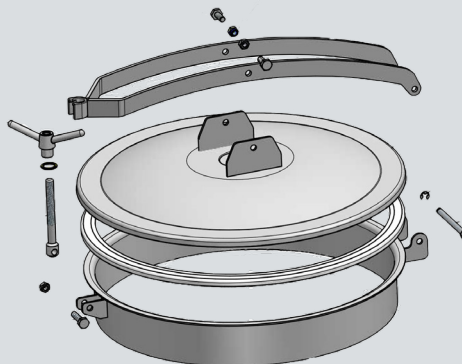
Material	temperature range
EPDM	-15° / 90°C
NBR	-30° / 110°C
MVQ (Silicone)	-50° / 200°C
FKM (Viton)	-10° / 250°C



H = Neck height  
 S1 = Thickness collar  
 S2 = Thickness cover  
 V = Hand wheel  
 G = Gasket



**T/500**



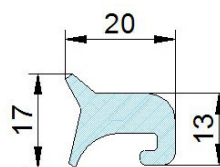
**MANWAYDOOR WITH EPDM GASKET**

Type	Ø outside	H =...mm	S1 collar	S2 cover	P max	304	316
T/500 - T/500/B	520	100	3	3	0,1 bar	37334T500	37338T500B
T/501 - T/501/B	520	150	3	3	0,1 bar	37334T501	37338T501B
T/502 - T/502/B	520	200	3	3	0,1 bar	37334T502	37338T502B

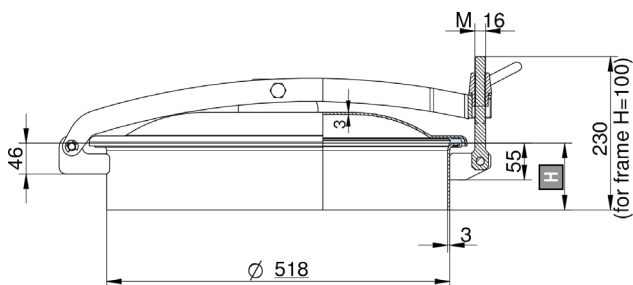
Gasket	EPDM	MVQ (Silicone)	FPM (Viton)	NBR
G/T500	37303113	37305113	37304113	37301113

Handle (M16)	art. nr.
V/VZ/165 Stainless Steel hand wheel	37309010
MEC/90 Stainless Steel hand wheel	37309008

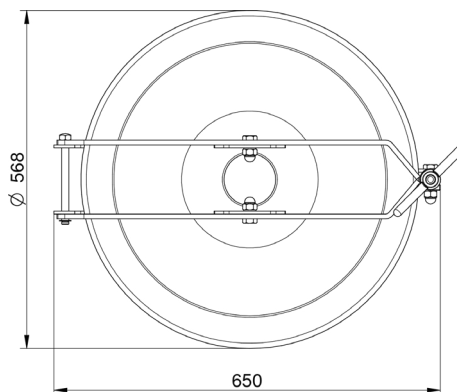
Available in AISI 304 and 316L, access Ø 500mm. Gasket clamped on cover. Selfdraining cover. Stainless steel handles. With PED certificate.



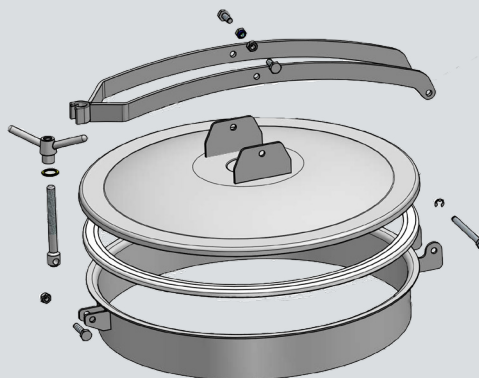
Material	temperature range
EPDM	-15° / 90°C
NBR	-30° / 110°C
MVQ (Silicone)	-50° / 200°C
FKM (Viton)	-10° / 250°C



H = Neck height  
 S1 = Thickness collar  
 S2 = Thickness cover  
 V = Hand wheel  
 G = Gasket



T/600



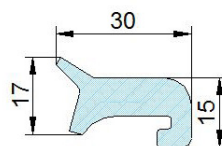
**MANWAY DOOR WITH EPDM GASKET**

Type	Ø outside	H =...mm	S1 collar	S2 cover	P max	304	316
T/600 - T/600/B	620	100	3	3	0 bar	37334T600	37338T600B
T/601 - T/601/B	620	150	3	3	0 bar	37334T601	37338T601B
T/602 - T/602/B	620	200	3	3	0 bar	37334T602	37338T602B

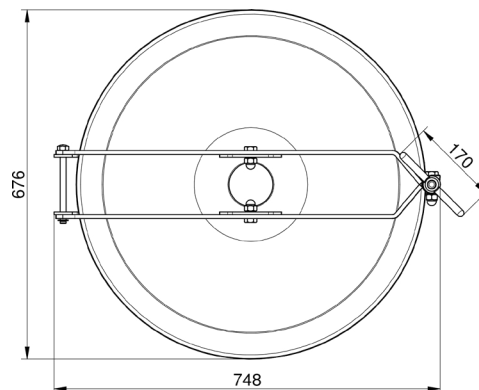
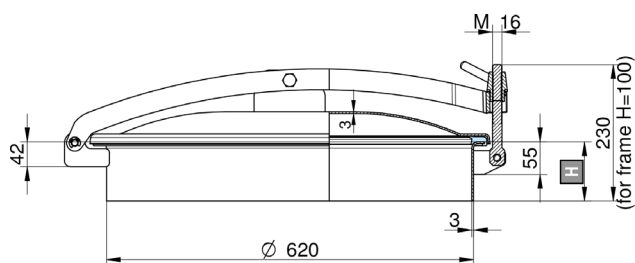
Gasket	EPDM	MVQ (Silicone)	FPM (Viton)	NBR		
G/T600	37303110	37305110	37304110	37301110		

Handle (M16)	art. nr.					
V/VZ/165 Stainless Steel hand wheel	37309010					
MEC/90 Stainless Steel hand wheel	37309008					

Available in AISI 304 and 316L, access Ø 614mm. Gasket clamped on collar. Selfdraining cover. Stainless steel handle.

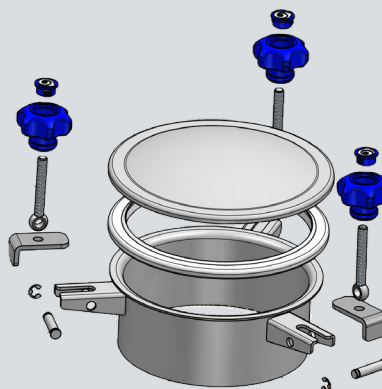


Material	temperature range
EPDM	-15° / 90°C
NBR	-30° / 110°C
MVQ (Silicone)	-50° / 200°C
FKM (Viton)	-10° / 250°C



H = Neck height  
 S1 = Thickness collar  
 S2 = Thickness cover  
 V = Hand wheel  
 G = Gasket

3V/200



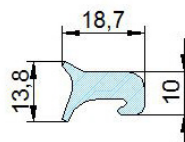
MANWAYDOOR Ø 200 MM

Type	ø outside	H =...mm	S1 collar	S2 cover	P max	304	316
3V200 - 3V200/B	202	85	2	1,5	0,4 bar	373343V200	373383V200B
3V201 - 3V201/B	202	150	2	1,5	0,4 bar	373343V201	373383V201B
3V202 - 3V202/B	202	200	2	1,5	0,4 bar	373343V202	373383V202B

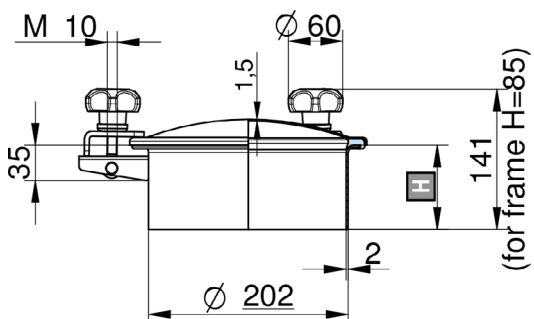
Gasket	EPDM	MVQ (Silicone)	FPM (Viton)	NBR		
G/T200	37303308	37305308	37304308	37301308		

Hand wheel (M10)	art. nr.					
MEC/60 Nylon hand wheel	37309001					
V/I/295 Stainless Steel hand wheel	37309013					

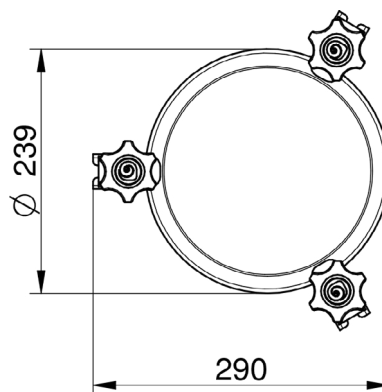
Available in AISI 304 and 316L. 3 nylon hand wheels. Gasket clamped on frame. Outward opening.



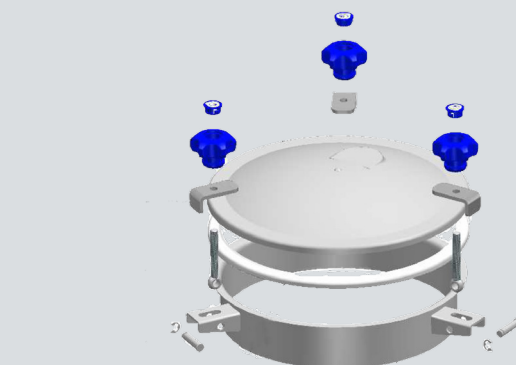
Material	temperature range
EPDM	-15° / 90°C
NBR	-30° / 110°C
MVQ (Silicone)	-50° / 200°C
FKM (Viton)	-10° / 250°C



H = Neck height  
 S1 = Thickness collar  
 S2 = Thickness cover  
 V = Hand wheel  
 G = Gasket



3V/300



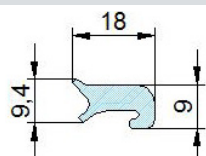
MANWAYDOOR Ø 300 MM

Type	ø outside	H =...mm	S1 collar	S2 cover	P max	304	316
3V300 - 3V300/B	306	65	2	1,5	0,15 bar	373343V300	373383V300B
3V301 - 3V301/B	306	100	2	1,5	0,15 bar	373343V301	373383V301B
3V302 - 3V302/B	306	150	2	1,5	0,15 bar	373343V302	373383V302B
3V303 - 3V303/B	306	200	2	1,5	0,15 bar	373343V303	373383V303B

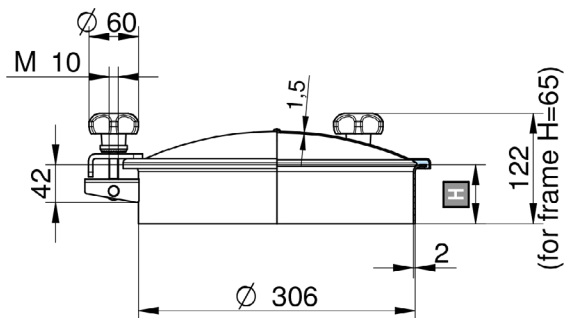
Gasket	EPDM	MVQ (Silicone)	FPM (Viton)	NBR		
G/T300	37303213	37305213	37304213	37301213		

Hand wheel (M10)	art. nr.					
MEC/60 Nylon hand wheel	37309001					
V/I/295 Stainless Steel hand wheel	37309013					

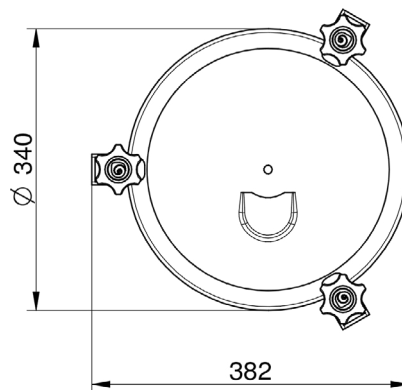
Available in AISI 304 and 316L. 3 nylon hand wheels. Gasket clamped on frame. Outward opening.



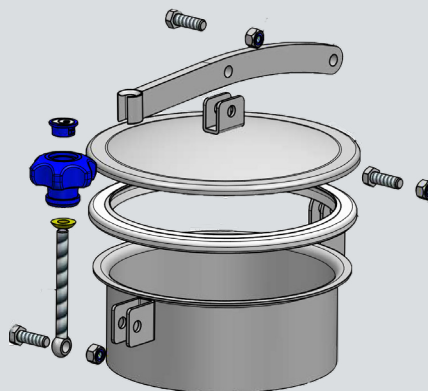
Material	temperature range
EPDM	-15° / 90°C
NBR	-30° / 110°C
MVQ (Silicone)	-50° / 200°C
FKM (Viton)	-10° / 250°C



H = Neck height  
 S1 = Thickness collar  
 S2 = Thickness cover  
 V = Hand wheel  
 G = Gasket



N/230



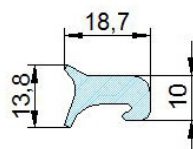
**MANWAY DOOR WITH EPDM GASKET**

Type	Ø outside	H =...mm	S1 collar	S2 cover	P max	304	316
N/230 - N/230/B	202	85	2	1,5	0,5 bar	37334N230	37338N230B
N/231 - N/231/B	202	150	2	1,5	0,5 bar	37334N231	37338N231B
N/232 - N/232/B	202	200	2	1,5	0,5 bar	37334N232	37338N232B

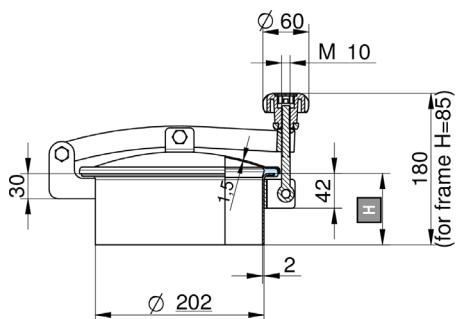
Gasket	EPDM	MVQ (Silicone)	FPM (Viton)	NBR		
G/T200	37303308	37305308	37304308	37301308		

Handle (M10)	art. nr.					
MEC/60A Nylon hand wheel	37309002					
V/I/295 Stainless Steel hand wheel	37309013					

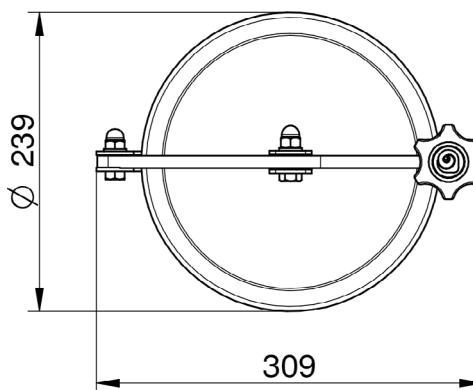
Available in AISI 304 and 316L, access Ø 198mm. Gasket clamped on collar. Selfdraining cover. Nylon hand wheel.



Material	temperature range
EPDM	-15° / 90°C
NBR	-30° / 110°C
MVQ (Silicone)	-50° / 200°C
FKM (Viton)	-10° / 250°C

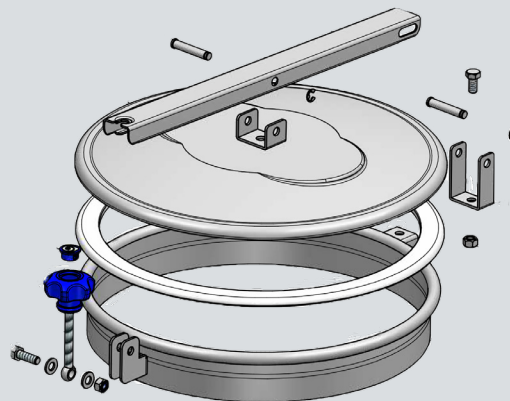


H = Neck height  
 S1 = Thickness collar  
 S2 = Thickness cover  
 V = Hand wheel  
 G = Gasket





**N/240**



**MANWAYDOOR Ø 400 MM**

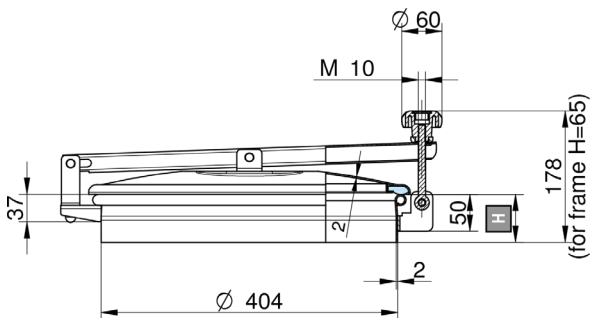
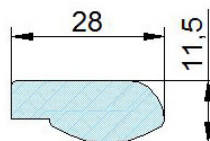
Type	ø outside	H =...mm	S1 collar	S2 cover	P max	304	316
N/240	404	65	2	2	0,1bar	37334N240	37338N240B
N/241	404	100	2	2	0,1 bar	37334N241	37338N241B
N/242	404	150	2	2	0,1 bar	37334N242	37338N242B
N/243	404	200	2	2	0,1 bar	37334N243	37338N243B

Gasket	EPDM	MVQ (Silicone)	FPM (Viton)	NBR			
G/NL250	37303103	37305103	37304103	37301103			

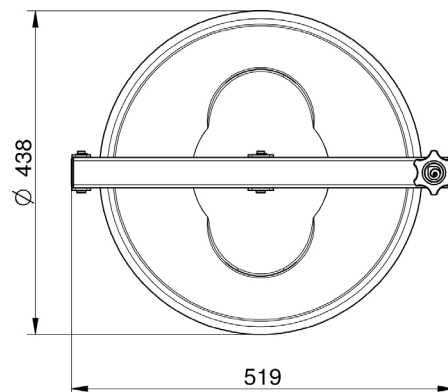
Hand wheel (M10)	art. nr.						
MEC/60 Nylon hand wheel	37309001						
V/I/295 Stainless Steel hand wheel	37309013						
MEC/80 Nylon hand wheel	37309003						

Available in AISI 304 and 316L, access Ø 400mm. Gasket glued in cover.  
Not selfdraining cover. Nylon hand wheel.

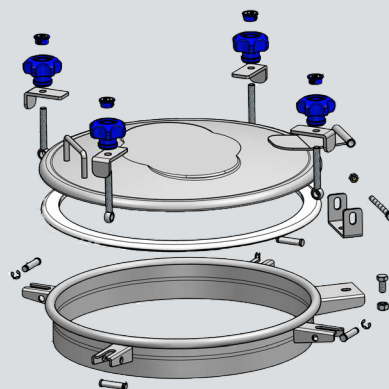
Material	temperature range
EPDM	-15° / 90°C
NBR	-30° / 110°C
MVQ (Silicone)	-50° / 200°C
FKM (Viton)	-10° / 250°C



H = Neck height  
S1 = Thickness collar  
S2 = Thickness cover  
V = Hand wheel  
G = Gasket



**N240/4V**



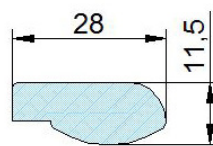
**MANWAYDOOR Ø 400 MM**

Type	ø outside	H =...mm	S1 collar	S2 cover	P max	304	316
N240/4V	404	65	2	2	0,2 bar	37334N2404V	37338N2404VB
N241/4V	404	100	2	2	0,2 bar	37334N2414V	37338N2414VB
N242/4V	404	150	2	2	0,2 bar	37334N2424V	37338N2424VB
N243/4V	404	200	2	2	0,2 bar	37334N2434V	37338N2434VB

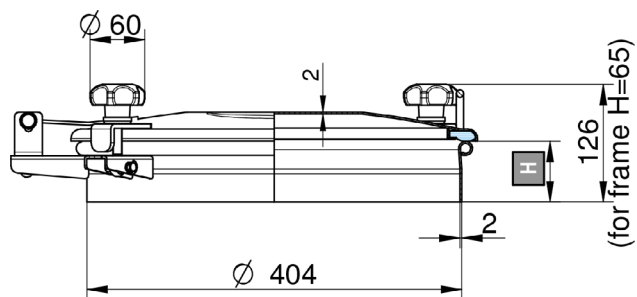
Gasket	EPDM	MVQ (Silicone)	FPM (Viton)	NBR			
G/NL250	37303103	37305103	37304103	37301103			

Hand wheel (M10)	art. nr.						
MEC/60 Nylon hand wheel	37309001						
V/I/295 Stainless Steel hand wheel	37309013						

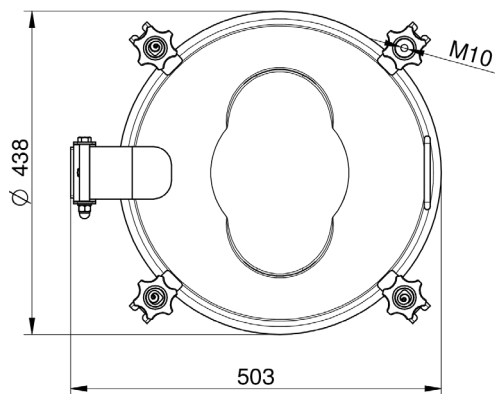
Available in AISI 304 and 316L, access Ø 404mm. Gasket clamped on cover. Selfdraining cover. 4 nylon hand wheels.



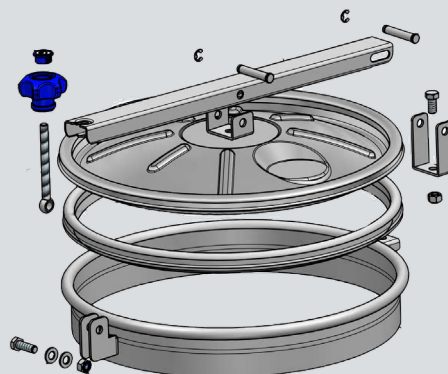
Material	temperature range
EPDM	-15° / 90°C
NBR	-30° / 110°C
MVQ (Silicone)	-50° / 200°C
FKM (Viton)	-10° / 250°C



H = Neck height  
 S1= Thickness collar  
 S2= Thickness cover  
 V = Hand wheel  
 G = Gasket



N/250



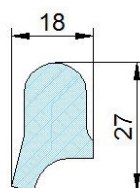
**MANWAYDOOR WITH EPDM GASKET**

Type	Ø outside	H =...mm	S1 collar	S2 cover	P max	304	316
N/250 - N/250/B	404	65	2	1,2	0 bar	37334N250	37338N250B
N/251 - N/251/B	404	100	2	1,2	0 bar	37334N251	37338N251B
N/252 - N/252/B	404	150	2	1,2	0 bar	37334N252	37338N252B
N/253 - N/253/B	404	200	2	1,2	0 bar	37334N253	37338N253B

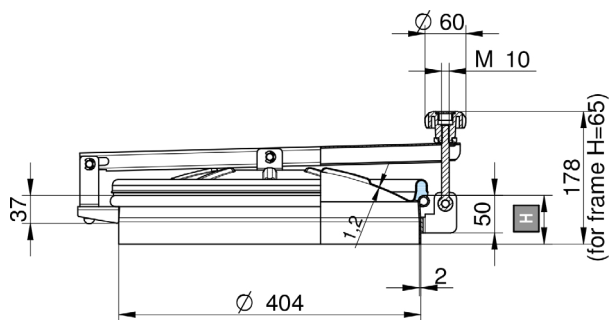
Gasket	EPDM	MVQ (Silicone)	FPM (Viton)	NBR
G/AE	37303013	37305013	37304013	37301013

Handle (M10)	art. nr.
MEC/60 Nylon hand wheel	37309001
MEC/90 Stainless Steel hand wheel	37309005
VI/295 Stainless Steel hand wheel	37309013

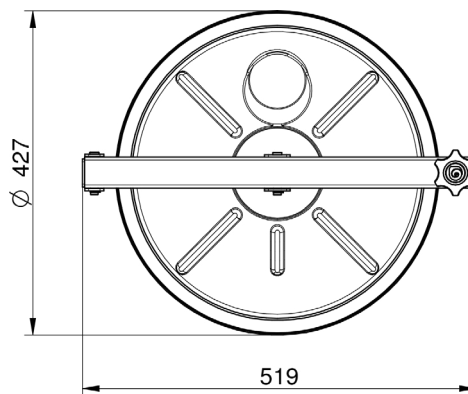
Available in AISI 304 and 316L, access Ø 400mm. Gasket glued in cover. Not selfdraining cover. Nylon hand wheel.



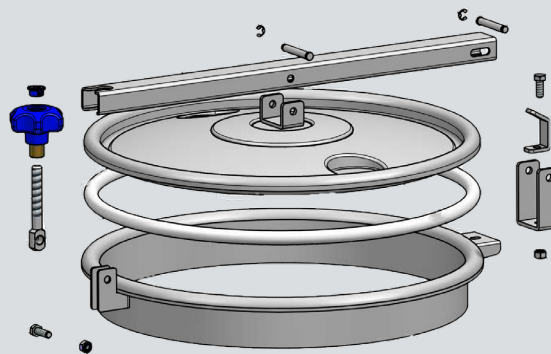
Material	temperature range
EPDM	-15° / 90°C
NBR	-30° / 110°C
MVQ (Silicone)	-50° / 200°C
FKM (Viton)	-10° / 250°C



H = Neck height  
 S1 = Thickness collar  
 S2 = Thickness cover  
 V = Hand wheel  
 G = Gasket



N/270



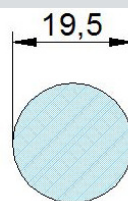
**MANWAYDOOR WITH EPDM GASKET**

Type	Ø outside	H =...mm	S1 collar	S2 cover	P max	304	316
N/270 - N/270/B	520	75	3	2	0,1 bar	37334N270	37338N270B
N/271 - N/271/B	520	100	3	2	0,1 bar	37334N271	37338N271B
N/272 - N/272/B	520	150	3	2	0,1 bar	37334N272	37338N272B
N/273 - N/273/B	520	200	3	2	0,1 bar	37334N273	37338N273B

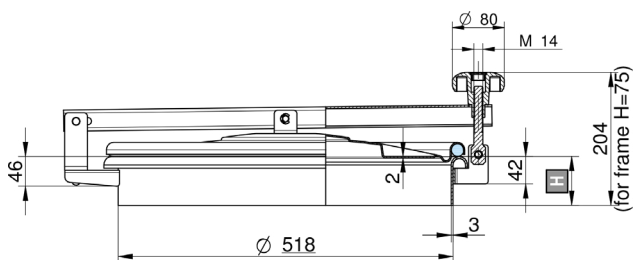
Gasket	EPDM	MVQ (Silicone)	FPM (Viton)	NBR
G/TR500	37303111	37305111	37304111	37301111

Handle (M14)	art. nr.
MEC/80A Nylon hand wheel	37309004
MEC/90 Stainless Steel hand wheel	37309007
V/I/Z/175A Stainless Steel hand wheel	37309024

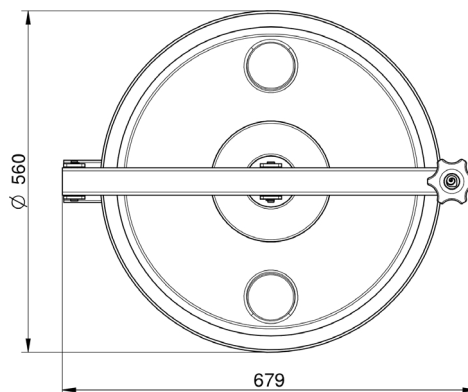
Available in AISI 304 and 316L, access Ø 514mm. Gasket glued in cover. Not selfdraining cover. Nylon hand wheel.



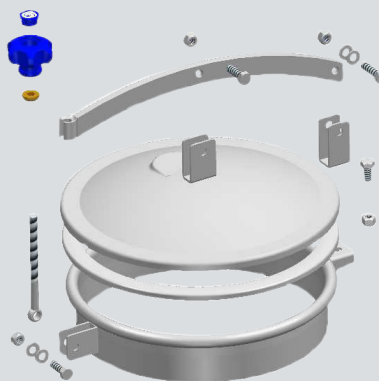
Material	temperature range
EPDM	-15° / 90°C
NBR	-30° / 110°C
MVQ (Silicone)	-50° / 200°C
FKM (Viton)	-10° / 250°C



H = Neck height  
 S1 = Thickness collar  
 S2 = Thickness cover  
 V = Hand wheel  
 G = Gasket



**N/300**



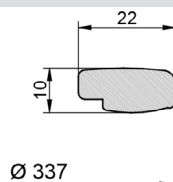
**MANWAY DOOR WITH EPDM GASKET**

Type	Ø outside	H =...mm	S1 collar	P max	Max. Temp °C	304	316
N/300	306	65	2	0 / 0,14		37334N300	37338N300B
N/301	306	100	2	0 / 0,14		37334N301	37338N301B
N/302	306	150	2	0 / 0,14		37334N302	37338N302B

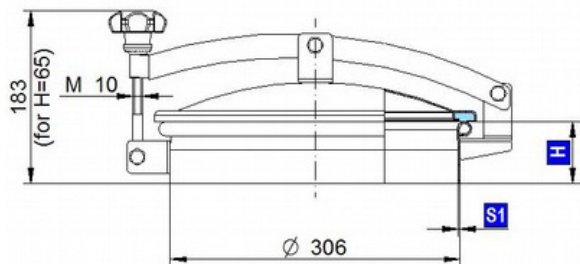
Gasket	EPDM	MVQ (Silicone)	FPM (Viton)	NBR		
GN/300	37303310	37305310	37304310	37301310		

Handwheel (M14)	art. nr.				
MEC/60 Nylon hand wheel	37309001				

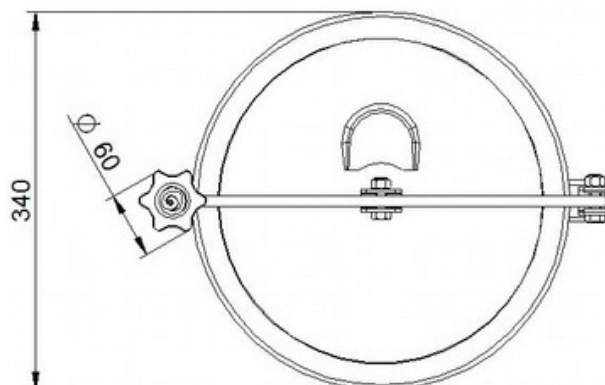
Available in AISI 304 and 316L. Outward opening with swing hinge. Stainless steel handle. With PED certificate.



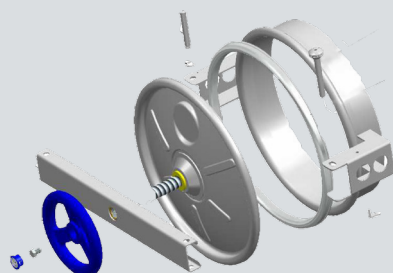
Material	temperature range
EPDM	-15° / 90°C
NBR	-30° / 110°C
MVQ (Silicone)	-50° / 200°C
FKM (Viton)	-10° / 250°C



H = Neck height  
 S1 = Thickness collar  
 S2 = Thickness cover  
 V = Hand wheel  
 G = Gasket



210



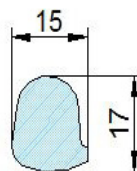
**HANDWAYDOOR WITH EPDM GASKET**

Type	Ø outside	H =...mm	S1 collar	S2 cover	P max	304	316
210 - 210/B	306	65	2	1,2	0,2 bar	37334210	37338210B
211 - 211/B	306	100	2	1,2	0,2 bar	37334211	37338211B
212 - 212/B	306	150	2	1,2	0,2 bar	37334212	37338212B
213 - 213/B	306	200	2	1,2	0,2 bar	37334213	37338213B

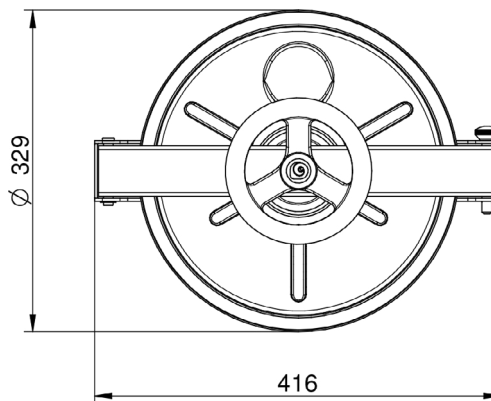
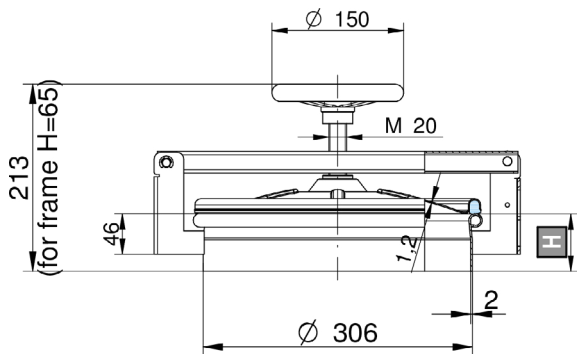
Gasket	EPDM	MVQ (Silicone)	FPM (Viton)	NBR
G/TR300	37303102	37305102	37304102	37301102

Handle (M10)	art. nr.
MEC/151 Nylon hand wheel	37309051
V/I/295 Stainless Steel hand wheel	37309013

Available in AISI 304 and 316L, access Ø 306mm. Gasket op frame geklemd. Nylon hand wheel.

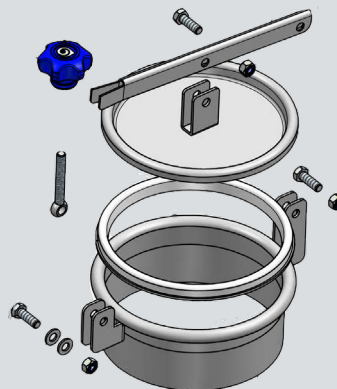


Material	temperature range
EPDM	-15° / 90°C
NBR	-30° / 110°C
MVQ (Silicone)	-50° / 200°C
FKM (Viton)	-10° / 250°C



H = Neck height  
 S1= Thickness collar  
 S2= Thickness cover  
 V = Hand wheel  
 G = Gasket

230



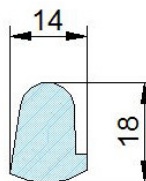
**HANDWAYDOOR WITH EPDM GASKET**

Type	Ø outside	H =...mm	S1 collar	S2 cover	P max	304	316
230 - 230/B	202	85	2	1,2	0,4 bar	37334230	37338230B
231 - 231/B	202	150	2	1,2	0,4 bar	37334231	37338231B
232 - 232/B	202	200	2	1,2	0,4 bar	37334232	37338232B

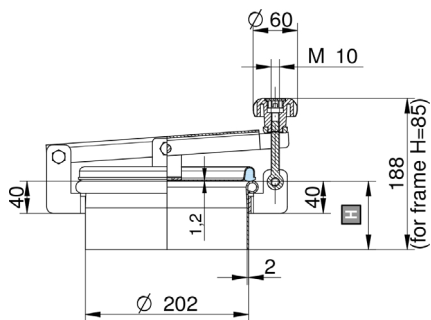
Gasket	EPDM	MVQ (Silicone)	FPM (Viton)	NBR		
G/P200	37303101	37305101	37304101	37301101		

Handle (M10)	art. nr.					
MEC/60 Nylon hand wheel	37309001					
V/I/295 Stainless Steel hand wheel	37309013					

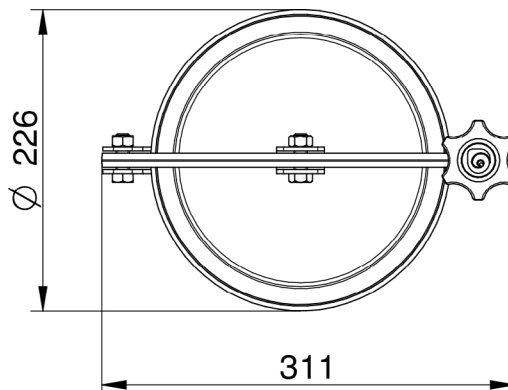
Available in AISI 304 and 316L, access Ø 198mm. Gasket glued in cover.  
Not selfdraining cover. Nylon hand wheel.



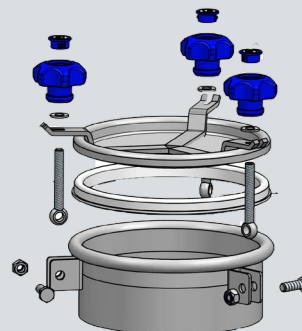
Material	temperature range
EPDM	-15° / 90°C
NBR	-30° / 110°C
MVQ (Silicone)	-50° / 200°C
FKM (Viton)	-10° / 250°C



H = Neck height  
S1 = Thickness collar  
S2 = Thickness cover  
V = Hand wheel  
G = Gasket



235



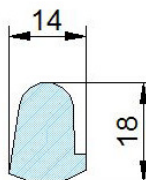
**HANDWAYDOOR WITH EPDM GASKET**

Type	Ø outside	H =...mm	S1 collar	S2 cover	P max	304	316
235 - 235/B	202	85	2	1,2	0,6 bar	37334235	37338235B
236 - 236/B	202	150	1,2	0,6 bar	37334236	37338236B	
237 - 237/B	202	200	2	1,2	0,6 bar	37334237	37338237B

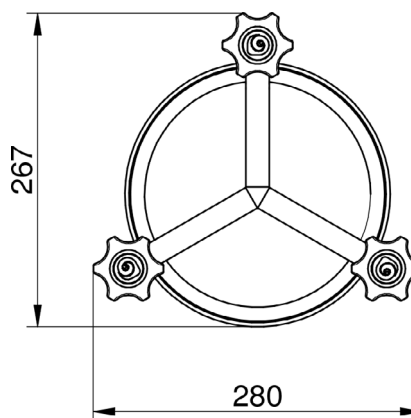
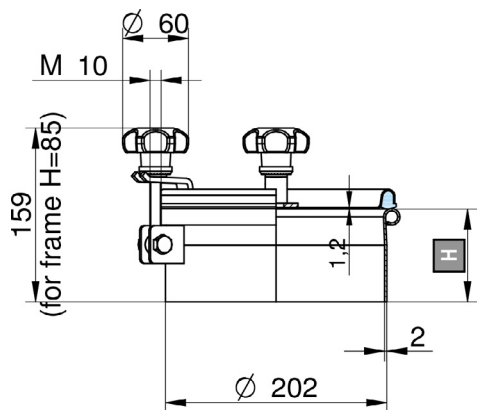
Gasket	EPDM	MVQ (Silicone)	FPM (Viton)	NBR
G/P200	37303101	37305101	37304101	37301101

Handle (M10)	art. nr.
MEC/60 Nylon hand wheel	37309001
VII/295 Stainless Steel hand wheel	37309013

Available in AISI 304 and 316L, access Ø 202mm. Gasket clamped on cover. Nylon hand wheel.



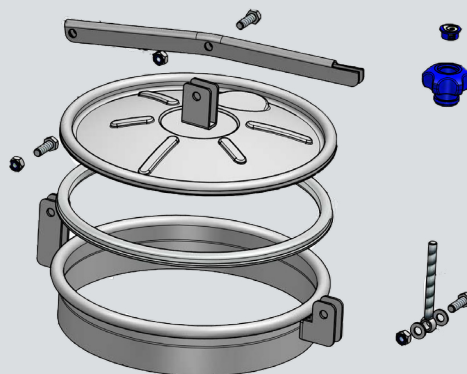
Material	temperature range
EPDM	-15° / 90°C
NBR	-30° / 110°C
MVQ (Silicone)	-50° / 200°C
FKM (Viton)	-10° / 250°C



H = Neck height  
 S1 = Thickness collar  
 S2 = Thickness cover  
 V = Hand wheel  
 G = Gasket



240



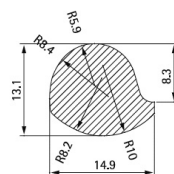
**HANDWAYDOOR WITH EPDM GASKET**

Type	Ø outside	H =...mm	S1 collar	S2 cover	P max	304	316
240 - 240/B	306	65	2	1,2	0,1 bar	37334240	37338240B
241 - 241/B	306	100	2	1,2	0,1 bar	37334241	37338241B
242 - 242/B	306	150	2	1,2	0,1 bar	37334242	37338242B
243 - 243/B	306	200	2	1,2	0,1 bar	37334243	37338243B

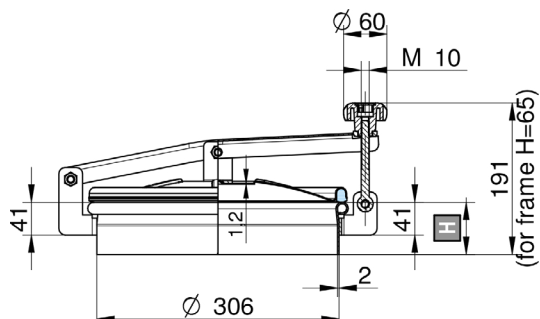
Gasket	EPDM	MVQ (Silicone)	FPM (Viton)	NBR
G/TR300	37303102	37305102	37304102	37301102

Handle (M10)	art. nr.
MEC/60 Nylon hand wheel	37309001
V/I/295 Stainless Steel hand wheel	37309013

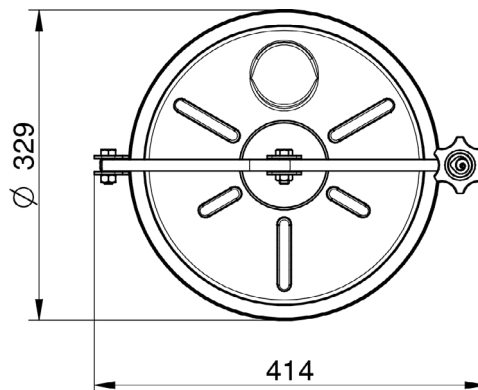
Available in AISI 304 and 316L, access Ø 302mm. Gasket glued in cover.  
Not selfdraining cover. Nylon hand wheel.



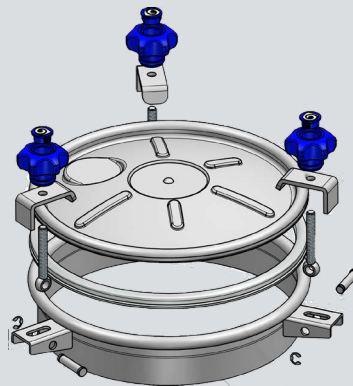
Material	temperature range
EPDM	-15° / 90°C
NBR	-30° / 110°C
MVQ (Silicone)	-50° / 200°C
FKM (Viton)	-10° / 250°C



H = Neck height  
S1 = Thickness collar  
S2 = Thickness cover  
V = Hand wheel  
G = Gasket



245



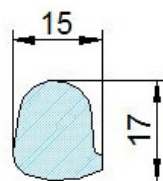
**MANWAYDOOR WITH EPDM GASKET**

Type	Ø outside	H =...mm	S1 collar	S2 cover	P max	304	316
245 - 245/B	306	65	2	1,2	0 / 0,1 bar	37334245	37338245B
246 - 246/B	306	100	2	1,2	0 / 0,1 bar	37334246	37338246B
247 - 247/B	306	150	1,2	0 / 0,1 bar	37334247	37338247B	
248 - 248/B	306	200	2	1,2	0 / 0,1 bar	37334248	37338248B

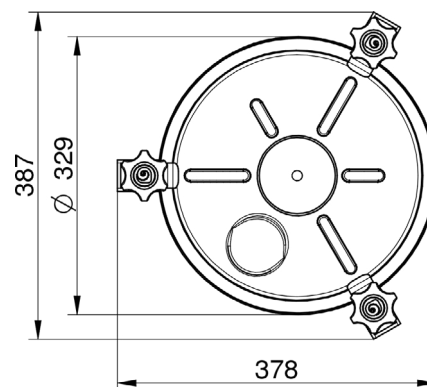
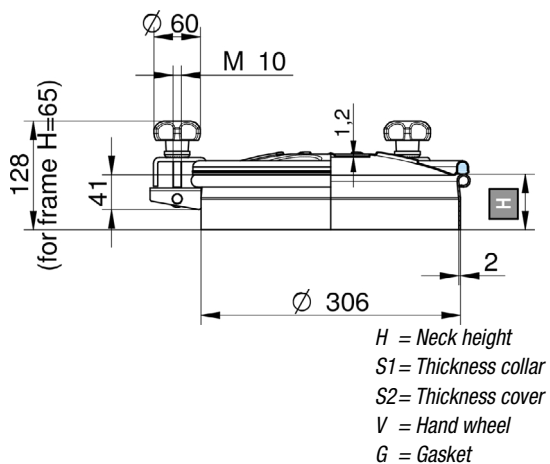
Gasket	EPDM	MVQ (Silicone)	FPM (Viton)	NBR
G/TR300	37303102	37305102	37304102	37301102

Handle (M10)	art. nr.
MEC/60 Nylon hand wheel	37309001
V/I/295 Stainless Steel hand wheel	37309013

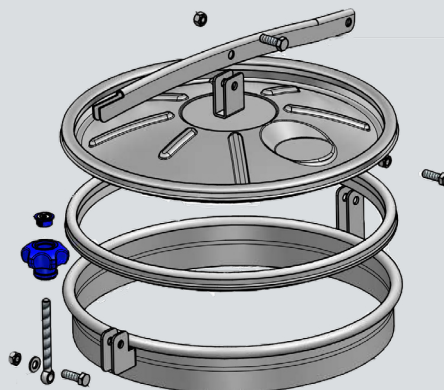
Available in AISI 304 and 316L, access Ø 329mm. Gasket clamped on cover. Nylon hand wheel or optional Stainless steel handle.



Material	temperature range
EPDM	-15° / 90°C
NBR	-30° / 110°C
MVQ (Silicone)	-50° / 200°C
FKM (Viton)	-10° / 250°C



250



**MANWAYDOOR WITH EPDM GASKET**

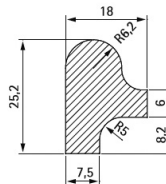
Type	Ø outside	H =...mm	S1 collar	S2 cover	P max	304	316
250 - 250/B	404	65	2	1,2	0 bar	37334250	37338250B
251 - 251/B	404	100	2	1,2	0 bar	37334251	37338251B
252 - 252/B	404	150	2	1,2	0 bar	37334252	37338252B
253 - 253/B	404	200	2	1,2	0 bar	37334253	37338253B

Also available with side swing and back side opening.

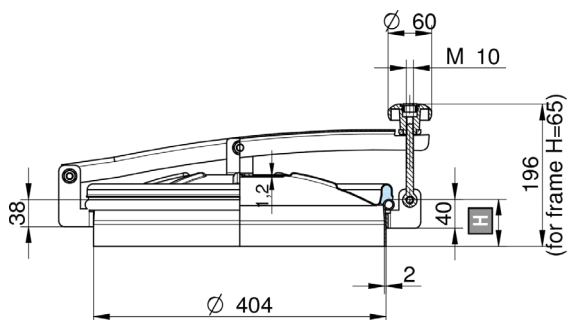
Gasket	EPDM	MVQ (Silicone)	FPM (Viton)	NBR
G/AE	37303013	37305013	37304013	37301013

Handle (M10)	art. nr.
MEC/60 Nylon hand wheel	37309001
MEC/90 Stainless Steel hand wheel	37309005
V/I/295 Stainless Steel hand wheel	37309013

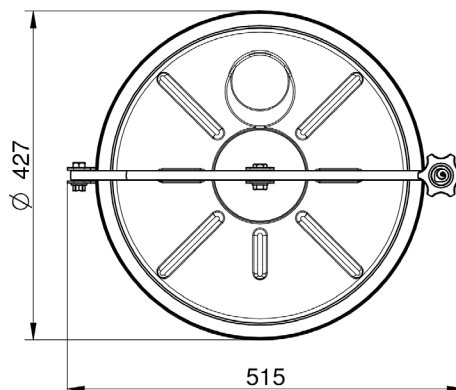
Available in AISI 304 and 316L, access Ø 400mm. Gasket glued in cover. Not selfdraining cover. Nylon hand wheel.



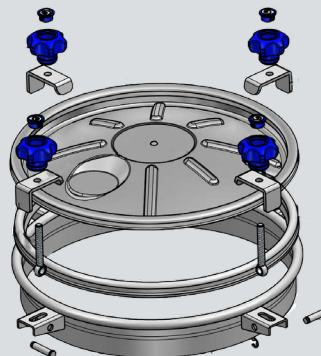
Material	temperature range
EPDM	-40° / 90°C
NBR	-15° / 90°C
MVQ (Silicone)	-50° / 200°C
FKM (Viton)	-17° / 240°C



H = Neck height  
 S1 = Thickness collar  
 S2 = Thickness cover  
 V = Hand wheel  
 G = Gasket



255



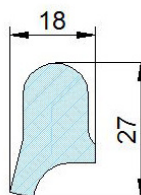
**MANWAYDOOR WITH EPDM GASKET**

Type	Ø outside	H =...mm	S1 collar	S2 cover	P max	304	316
255 - 255/B	404	65	2	1,2	0 / 0,2 bar	37334255	37338255B
256 - 256/B	404	100	2	1,2	0 / 0,2 bar	37334256	37338256B
257 - 257/B	404	150	2	1,2	0 / 0,2 bar	37334257	37338257B
258 - 258/B	404	200	2	1,2	0 / 0,2 bar	37334258	37338258B

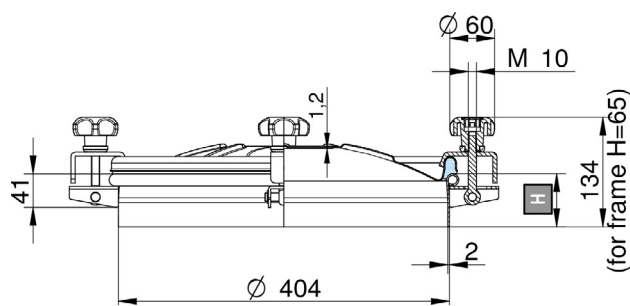
Gasket	EPDM	MVQ (Silicone)	FPM (Viton)	NBR
G/AE	37303013	37305013	37304013	37301013

Handle (M10)	art. nr.
MEC/60 Nylon hand wheel	37309001
VI/295 Stainless Steel hand wheel	37309013

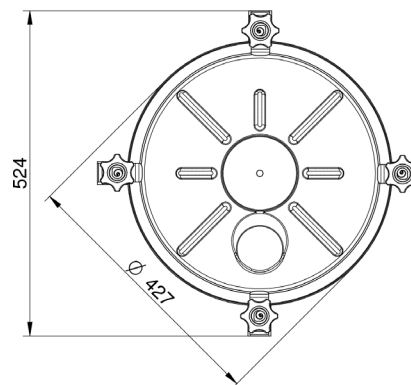
Available in AISI 304 and 316L, access Ø 404mm. Gasket clamped on cover. Nylon hand wheel.



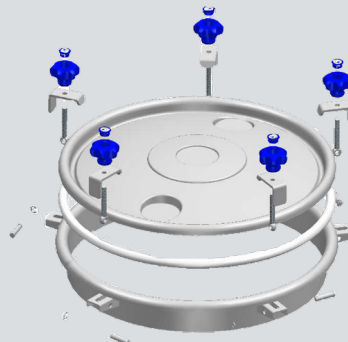
Material	temperature range
EPDM	-15° / 90°C
NBR	-30° / 110°C
MVQ (Silicone)	-50° / 200°C
FKM (Viton)	-10° / 250°C



H = Neck height  
 S1 = Thickness collar  
 S2 = Thickness cover  
 V = Hand wheel  
 G = Gasket



275



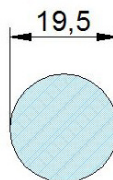
**MANWAYDOOR WITH EPDM GASKET**

Type	Ø outside	H =...mm	S1 collar	S2 cover	P max	304	316
275 - 275/B	516	75	3	2	0 / 0,2 bar	37334275	37338275B
276 - 276/B	516	100	3	2	0 / 0,2 bar	37334276	37338276B
277 - 277/B	516	150	3	2	0 / 0,2 bar	37334277	37338277B
278 - 278/B	516	200	3	2	0 / 0,2 bar	37334278	37338278B

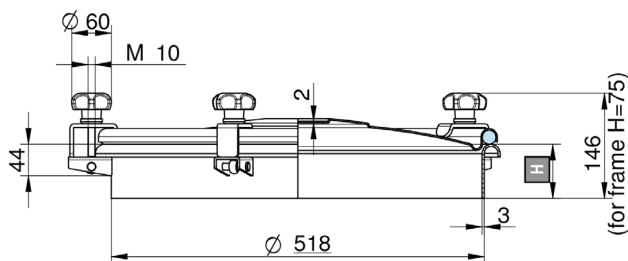
Afdichting	EPDM	MVQ (Silicone)	FPM (Viton)	NBR
G/TR500	37303111	37305111	37304111	37301111

Hendel (M10)	art. nr.
MEC/60 Nylon hand wheel	37309001
V//295 Stainless Steel hand wheel	37309013

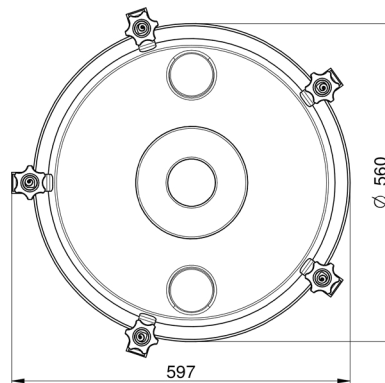
Available in AISI 304 and 316L, access Ø 560mm. Gasket clamped on cover. Nylon hand wheel or optional Stainless steel handle.



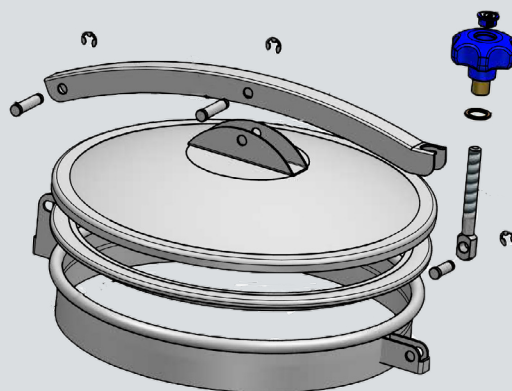
Material	temperature range
EPDM	-15° / 90°C
NBR	-30° / 110°C
MVQ (Silicone)	-50° / 200°C
FKM (Viton)	-10° / 250°C



H = Neck height  
 S1 = Thickness collar  
 S2 = Thickness cover  
 V = Hand wheel  
 G = Gasket



**400/AZ-GN**



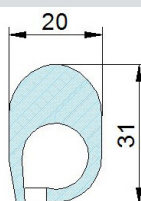
**MANWAYDOOR Ø 400 MM**

Type	ø outside	H =...mm	S1 collar	S2 cover	P max	304	316
400/AZ-GN	404	65	2	2	0,05 bar	37334400AZGN	37338400AZGNB
401/AZ-GN	404	100	2	2	0,05 bar	37334401AZGN	37338401AZGNB
402/AZ-GN	404	150	2	2	0,05 bar	37334402AZGN	37338402AZGNB
403/AZ-GN	404	200	2	2	0,05 bar	37334403AZGN	37338403AZGNB

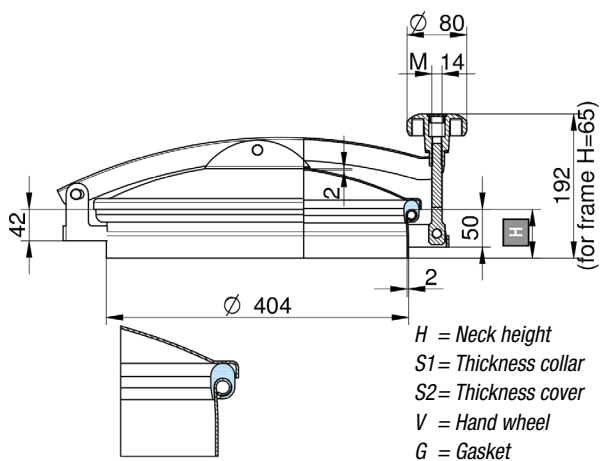
Gasket	EPDM	MVQ (Silicone)	FPM (Viton)	NBR		
400AZ/GN	37303306	37305306	37304306	37301306		

Hand wheel (M14)	art. nr.				
Nylon hand wheel MEC/80/A	37303004				
V/I/Z/175A Stainless Steel hand wheel	37309024				
MEC/80 Nylon hand wheel	37309003				

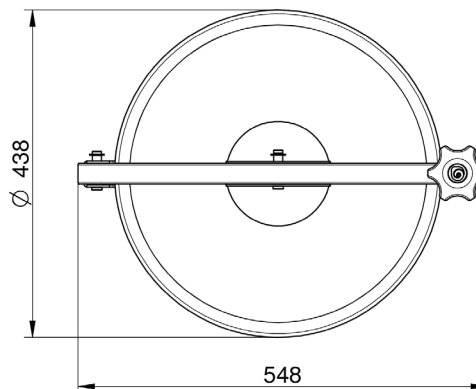
Available in AISI 304 and 316L, access Ø 404 mm. Gasket glued in cover. Not selfdraining cover. Nylon hand wheel.



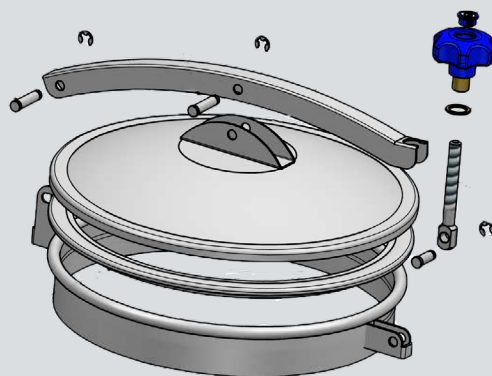
Material	temperature range
EPDM	-15° / 90°C
NBR	-30° / 110°C
MVQ (Silicone)	-50° / 200°C
FKM (Viton)	-10° / 250°C



MOD. 400/AZ GN



**400/AZ-NL**



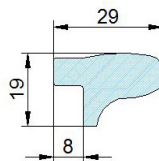
**MANWAYDOOR Ø 400 MM**

Type	ø outside	H =...mm	S1 collar	S2 cover	P max	304	316
400/AZ-NL	404	65	2	2	0,05 bar	37334400AZNL	37338400AZNLB
401/AZ-NL	404	100	2	2	0,05 bar	37334401AZNL	37338401AZNLB
402/AZ-NL	404	150	2	2	0,05 bar	37334402AZNL	37338402AZNLB
403/AZ-NL	404	200	2	2	0,05 bar	37334403AZNL	37338403AZNLB

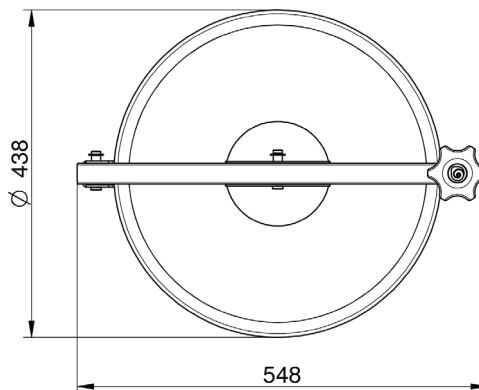
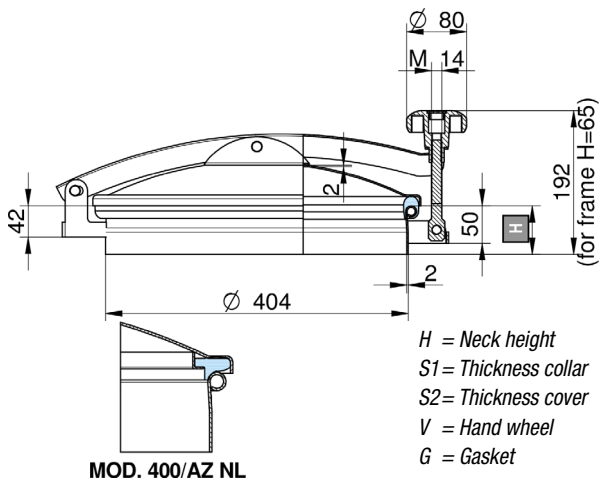
Gasket	EPDM	MVQ (Silicone)	FPM (Viton)	NBR
400AZ/NL	37303305	37305305	37304305	37301305

Hand wheel (M14)	art. nr.
MEC/80 Nylon hand wheel/A	37303004
V/VZ/175A Stainless Steel hand wheel	37309024
MEC/80 Nylon hand wheel	37309003

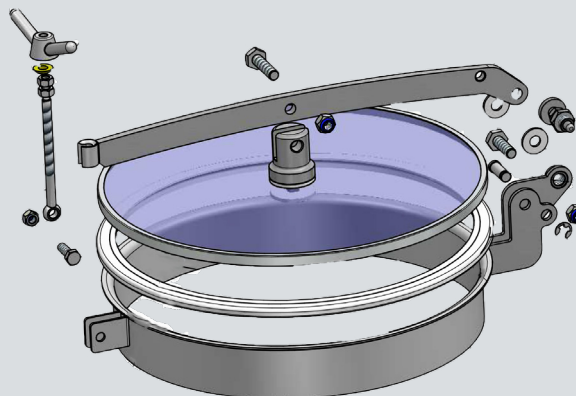
Available in AISI 304 and 316L, access Ø 404 mm. Gasket glued in cover. Not selfdraining cover. Nylon hand wheel.



Material	temperature range
EPDM	-15° / 90°C
NBR	-30° / 110°C
MVQ (Silicone)	-50° / 200°C
FKM (Viton)	-10° / 250°C



**T1/G400**

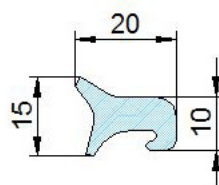


**INSPECTION DOOR ROUND WITH GLASS LID**

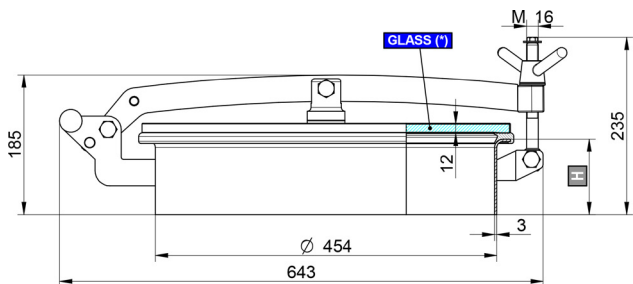
Type	Ø outside	H = ...mm	S1 collar	S2 cover	P max	304	316
T1/G400 - T1/G400/B	404	65	3	1,2	0 / 0,1 bar	37334T1G400	37338T1G400B
T1/G401 - T1/G401/B	404	100	3	1,2	0 / 0,1 bar	37334T1G401	37338T1G401B
T1/G402 - T1/G402/B	404	150	1,2	0 / 0,1 bar	37334T1G402	37338T1G402B	
T1/G403 - T1/G403/B	404	200	3	1,2	0 / 0,1 bar	37334T1G403	37338T1G403B

Gasket	EPDM	MVQ (Silicone)	FPM (Viton)	NBR			
G/T400	37303309	37305309	37304309	37301309			
Handle (M14)	art. nr.						
V/I/295 Stainless Steel hand wheel	37309013						

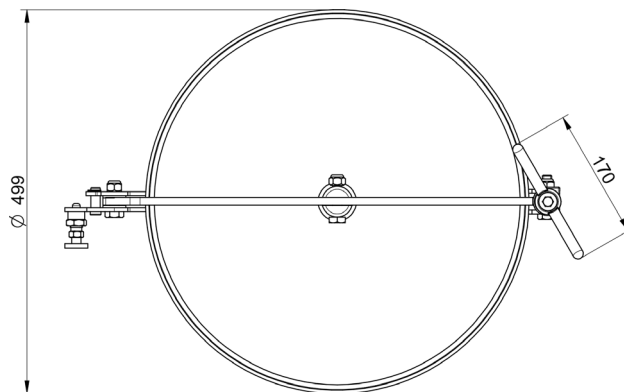
Available in AISI 304 and 316L, Gasket clamped on cover. Sodalime tempered glass. Stainless steel handle.



Material	temperature range
EPDM	-15° / 90°C
NBR	-30° / 110°C
MVQ (Silicone)	-50° / 200°C
FKM (Viton)	-10° / 250°C

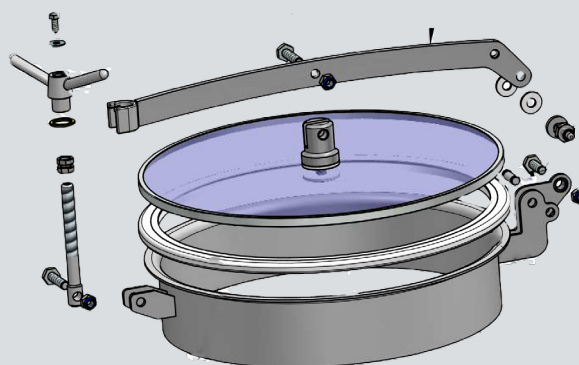
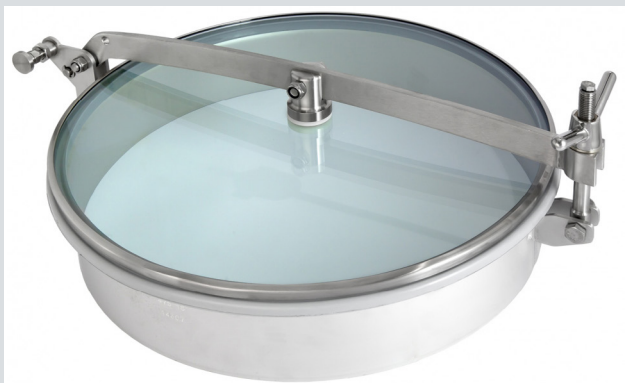


H = Neck height  
 S1 = Thickness collar  
 S2 = Thickness cover  
 V = Hand wheel  
 G = Gasket





**T1/G450**

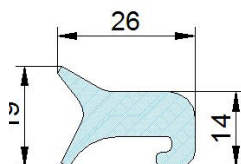


**INSPECTION DOOR ROUND WITH GLASS LID**

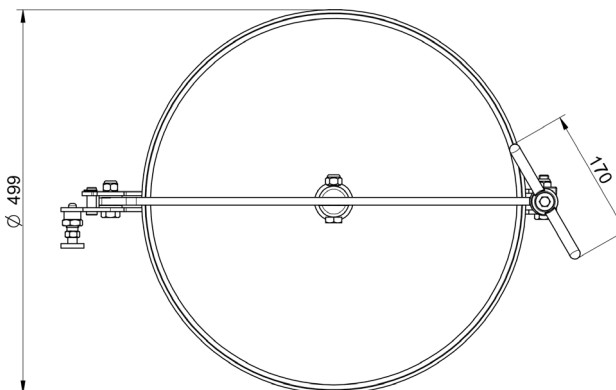
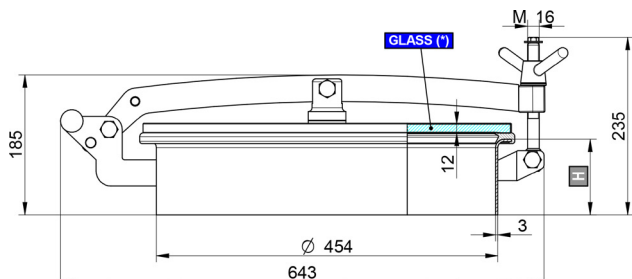
Type	Ø outside	H =...mm	S1 collar	S2 cover	P max	304	316
T1/G450 - T1/G450/B	454	100	3	1,2	0 / 0,1 bar	37334T1G450	37338T1G450B
T1/G451 - T1/G451/B	454	150	3	1,2	0 / 0,1 bar	37334T1G451	37338T1G451B
T1/G452 - T1/G452/B	454	200	3	1,2	0 / 0,1 bar	37334T1G452	37338T1G452B

Gasket	EPDM	MVQ (Silicone)	FPM (Viton)	NBR			
G/T450	37303105	37305105	37304105	37301105			
Handle (M14)	art. nr.						
VI/165A Stainless Steel hand wheel	37309012						

Available in AISI 304 and 316L, Gasket clamped on cover. Sodalime tempered glass. Stainless steel handle.

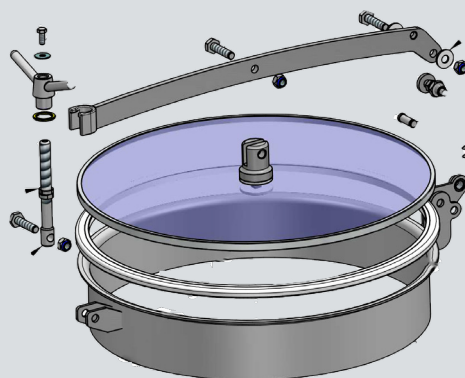
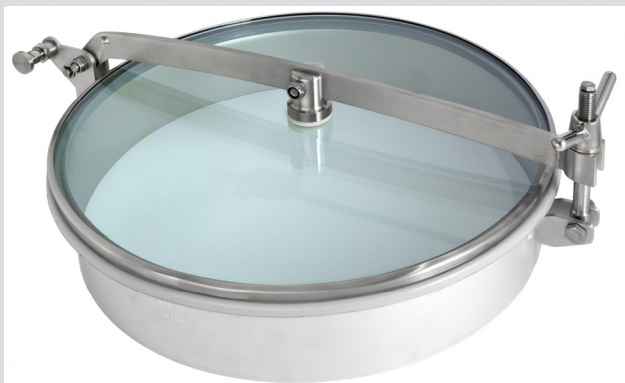


Material	temperature range
EPDM	-15° / 90°C
NBR	-30° / 110°C
MVQ (Silicone)	-50° / 200°C
FKM (Viton)	-10° / 250°C



H = Neck height  
 S1 = Thickness collar  
 S2 = Thickness cover  
 V = Hand wheel  
 G = Gasket

**T1/G500**

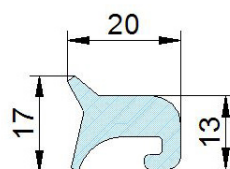


**INSPECTION DOOR ROUND WITH GLASS LID**

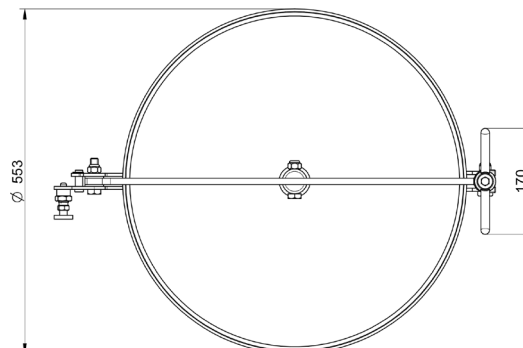
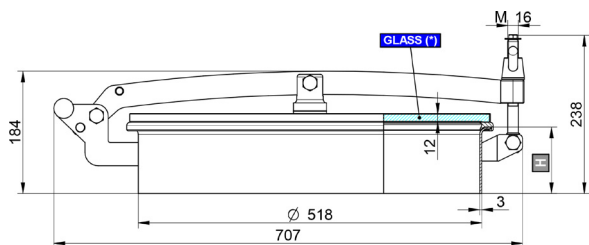
Type	Ø outside	H =...mm	S1 collar	S2 cover	P max	304	316
T1/500 - T1/500/B	518	100	3	1,2	0 / 0,1 bar	37334T1G500	37338T1G500B
T1/501 - T1/501/B	518	150	3	1,2	0 / 0,1 bar	37334T1G501	37338T1G501B
T1/502 - T1/502/B	518	200	3	1,2	0 / 0,1 bar	37334T1G502	37338T1G502B

Gasket	EPDM	MVQ (Silicone)	FPM (Viton)	NBR			
G/T500	37303113	37305113	37304113	37301113			
Handle (M14)	art. nr.						
VI/165A Stainless Steel hand wheel	37309012						

Available in AISI 304 and 316L, Gasket clamped on cover. Sodalime tempered glass. Stainless steel handle.

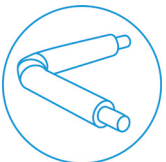
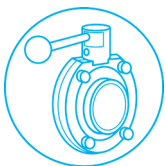
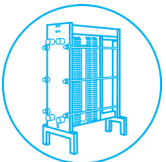
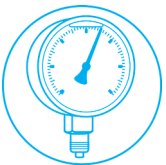
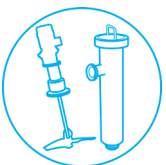
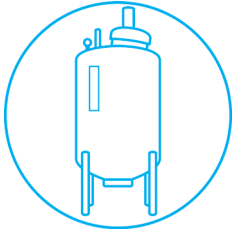


Material	temperature range
EPDM	-15° / 90°C
NBR	-30° / 110°C
MVQ (Silicone)	-50° / 200°C
FKM (Viton)	-10° / 250°C



H = Neck height  
 S1 = Thickness collar  
 S2 = Thickness cover  
 V = Hand wheel  
 G = Gasket





# RECTANGULAR MANWAY DOORS

---

As a total supplier, S.K.S. has a large collection of rectangular manway doors. These manway doors are available in various models and editions.

In addition to these manway doors, S.K.S. also offers a wide range of cleaning fixtures. Clean a tank with a spray ball or tank cleaning jet. Get inspired by all the possibilities on the S.K.S. website or contact one of our product specialists for more information.

# i | PIPETITE®

## THE HYGIENIC WALL BOOT SYSTEM

### “A new approach to an old problem”

The current solutions for pipe connections through walls are visually and hygienically flawed. They often do not seal properly and are not flexible or uniform.

With the Pipetite® program, S.K.S. offers a true solution to this problem. Pipetite® has been developed based on the above practical shortcomings and can therefore be used in any environment. All models are self-sealing, hygienic and easy to fit.

### Pipetite® is simple and effective

- 6 sizes for pipe diameters up to 380 mm
- Hygienic white silicone and 316 stainless steel
- Totally self-sealing and maintenance-free
- Vibration-absorbing
- Waterproof
- Resistant to temperatures up to 260°C (medium pipe)
- Quick and easy installation
- Long lifespan

Pipetite is available for wall connections (Pipetite® and ReBoot®), pipe connections (Pipe n Pipe®) or plate connections (Tube Grommets and Hose grommets).

As an option, the Pipetite® range can be made fireproof by using traditional firestop products.

Pipetite® can be used in many common situations. The connector surrounding the pipe is the same for all models. You trim the boot to size and slide the wall connector over the pipe. ReBoot® models can be easily

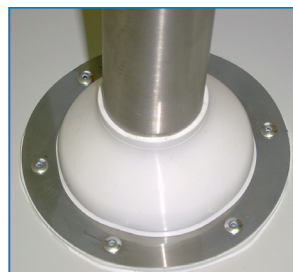


fitted around the existing situation and are sealed with a clip.

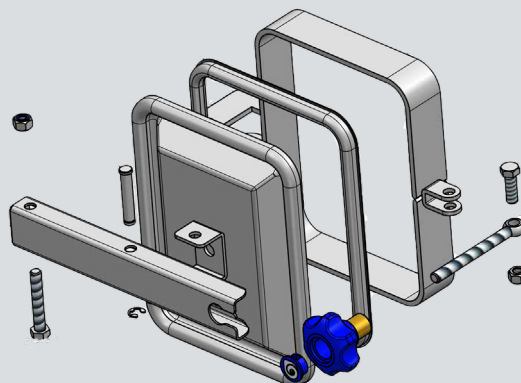
The actual connection with the application for the pipe is different for every model.

- The Pipetite® and ReBoot® can be easily fitted on walls or ceilings.
- The Pipe n Pipe® is made for pipe connections of 4"/NW100 or 6"/NW150.
- Grommets are used for pipe or hose connections through machine walls or stainless steel wall plates up to 3 mm thick. Multi range is available.
- Flat. A flat range for tank or wall boot and cover.

*In case you need assistance in choosing the right Pipetite®, please contact us.*



285



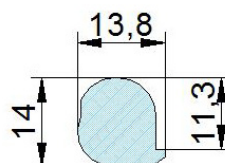
**INSPECTION DOOR RECTANGULAR WITH EPDM GASKET**

Type	L =...mm	W =...mm	H =...mm	S1 collar	S2 cover	P max	304	316
285 - 285/B	185	235	40	5	1,2	0,5 bar	37334285	37338285B

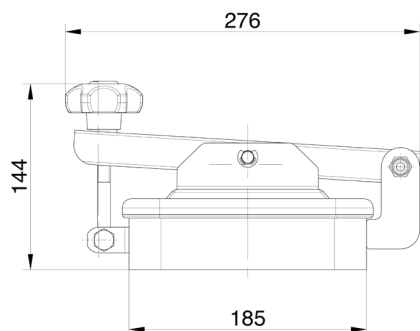
Gasket	EPDM	MVQ (Silicone)	FPM (Viton)	NBR				
G/295	37303000	37305000	37304000	37301000				

Handle (M10)	art. nr.							
MEC/60A Nylon hand wheel	37309002							
V/I/295A Stainless Steel hand wheel	37309014							

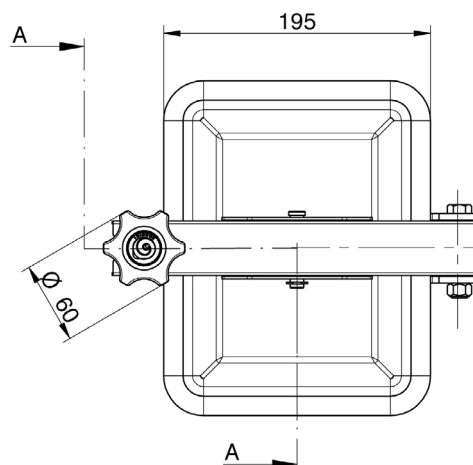
Available in AISI 304 and 316L, Gasket glued in cover.  
Not selfdraining cover. Nylon hand wheel.



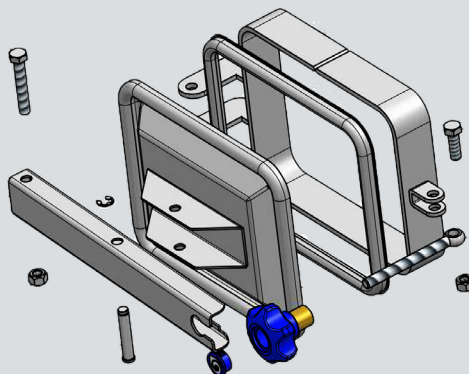
Material	temperature range
EPDM	-15° / 90°C
NBR	-30° / 110°C
MVQ (Silicone)	-50° / 200°C
FKM (Viton)	-10° / 250°C



H = Neck height  
S1 = Thickness collar  
S2 = Thickness cover  
V = Hand wheel  
G = Gasket



295



**INSPECTION DOOR RECTANGULAR WITH EPDM GASKET**

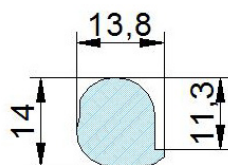
Type	L =...mm	W =...mm	H =...mm	S1 collar	S2 cover	P max	304	316
295 - 295/B	235	185	40	5	1,2	0,7 bar	37334295	37338295B

Type K = with s.s. handle V/I/295K, safety nut and gradual opening system

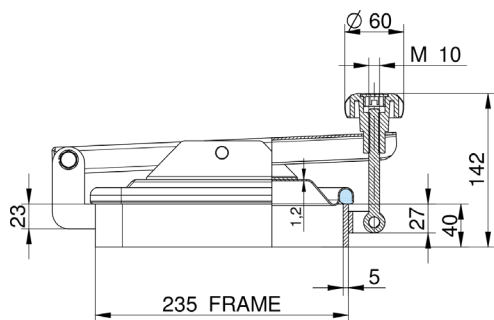
Gasket	EPDM	MVQ (Silicone)	FPM (Viton)	NBR				
G/295	37303000	37305000	37304000	37301000				

Handle (M10)	art. nr.						
V/I/295A Stainless Steel hand wheel	37309014						
V/I/295K Stainless Steel hand wheel	37309015						
MEC/60A Nylon hand wheel	37309002						

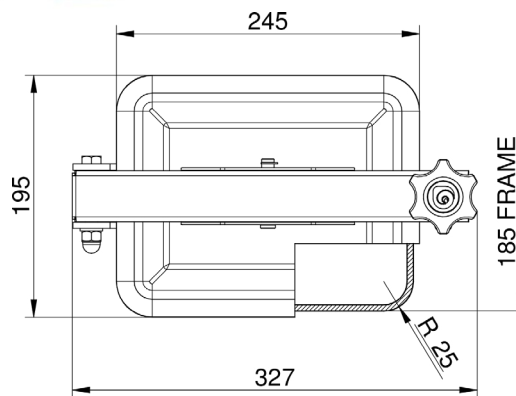
Available in AISI 304 and 316L, Gasket glued in cover.  
Not selfdraining cover. Nylon hand wheel.



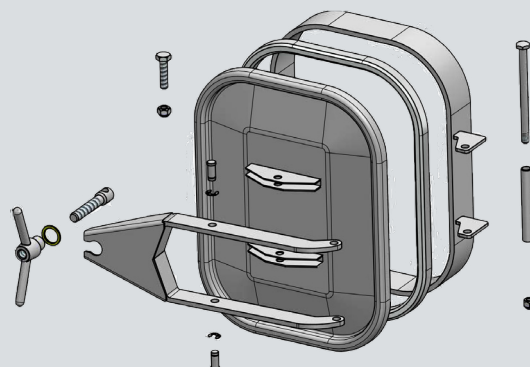
Material	temperature range
EPDM	-15° / 90°C
NBR	-30° / 110°C
MVQ (Silicone)	-50° / 200°C
FKM (Viton)	-10° / 250°C



H = Neck height  
S1 = Thickness collar  
S2 = Thickness cover  
V = Hand wheel  
G = Gasket



160



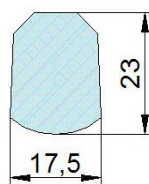
**INSPECTION DOOR RECTANGULAR WITH EPDM GASKET**

Type	L =...mm	W =...mm	H =...mm	S1 collar	S2 cover	P max	304	316
160 - 160/B	440	332	60	8	2	0,5 bar	37334160	37338160B
161 - 161/B	440	332	100	8	2	0,5 bar	37334161	37338161B
160/K - 160/K/B	440	332	60	8	2	0,5 bar	37334160K	37338160KB
161/K - 161/K/B	440	332	100	8	2	0,5 bar	37334161K	37338161KB

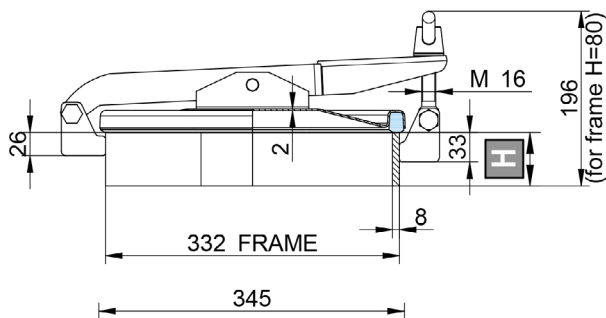
Gasket	EPDM	MVQ (Silicone)	FPM (Viton)	NBR
G/R165	37303007	37305007	37304007	37301007

Handle (M16)	art. nr.
V/I/165A Stainless Steel hand wheel	37309012
V/I/165K Stainless Steel hand wheel	37309009
MEC/90 Stainless Steel hand wheel	37309008
MEC/150 Nylon hand wheel	37309049

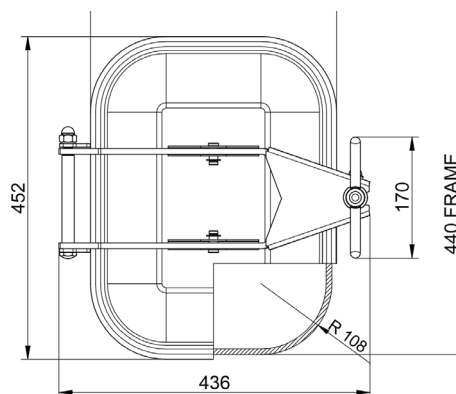
Available in AISI 304 and 316L, Gasket glued in cover. Not selfdraining cover. Stainless steel handle. "K" execution with safety nut and gradual opening system.



Material	temperature range
EPDM	-15° / 90°C
NBR	-30° / 110°C
MVQ (Silicone)	-50° / 200°C
FKM (Viton)	-10° / 250°C

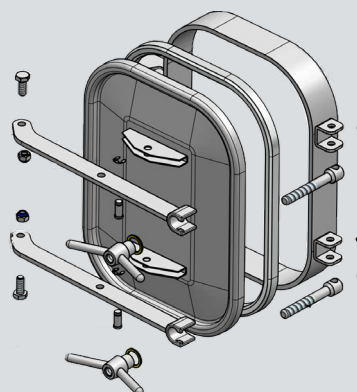


H = Neck height  
 S1 = Thickness collar  
 S2 = Thickness cover  
 V = Hand wheel  
 G = Gasket





160/2B



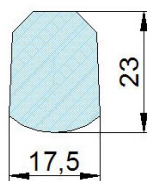
INSPECTION DOOR RECTANGULAR

Type	L =...mm	W =...mm	H =...mm	S1 collar	S2 cover	P max	304	316
160/2B	332	440	60	8	2	0/0,6 bar	373341602B	373381602BB
161/2B	332	440	100	8	2	0/0,6 bar	373341612B	373381612BB

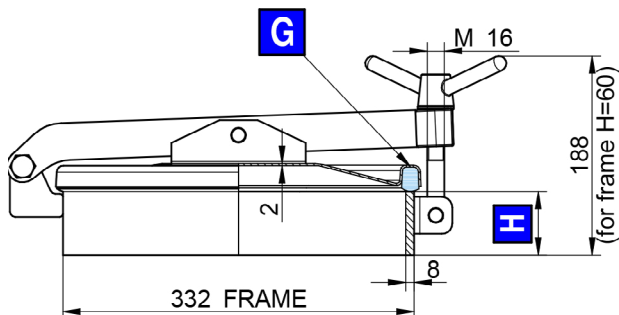
Gasket	EPDM	MVQ (Silicone)	FPM (Viton)	NBR				
G/R165	37303007	37305007	37304007	37301007				

Hand wheel (M16)	art. nr.						
V/I/165A Stainless Steel hand wheel	37309012						
MEC/80 Nylon hand wheel	37309003						
MEC/150A Nylon hand wheel	37309050						

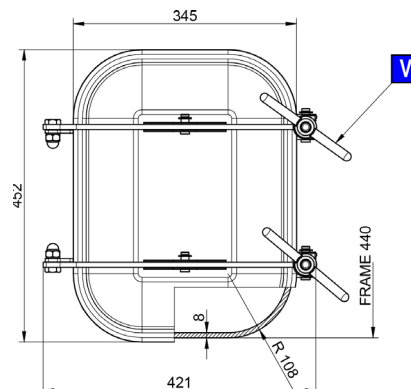
Available in AISI 304 and 316L. Stainless steel handle. Gasket clamped on cover.



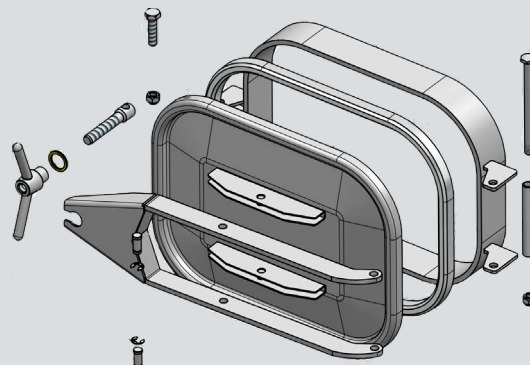
Material	temperature range
EPDM	-15° / 90°C
NBR	-30° / 110°C
MVQ (Silicone)	-50° / 200°C
FKM (Viton)	-10° / 250°C



H = Neck height  
 S1 = Thickness collar  
 S2 = Thickness cover  
 V = Hand wheel  
 G = Gasket



165



**INSPECTION DOOR RECTANGULAR WITH EPDM GASKET**

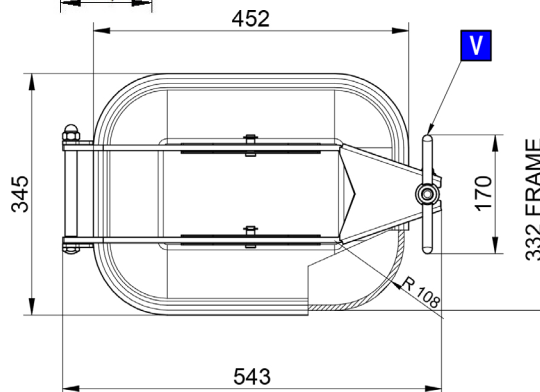
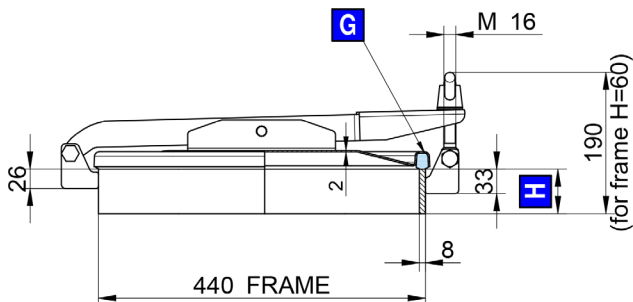
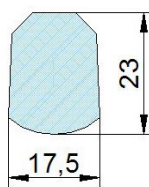
Type	L =...mm	W =...mm	H =...mm	S1 collar	S2 cover	P max	304	316
165 - 165/B	440	332	60	8	2	0,5 bar	37334165	37338165B
166 - 166/B	440	332	100	8	2	0,5 bar	37334166	37338166B
165/K - 165/K/B	440	332	60	8	2	0,5 bar	37334165K	37338165KB
166/K - 166/K/B	440	332	100	8	2	0,5 bar	37334166K	37338166KB

Gasket	EPDM	MVQ (Silicone)	FPM (Viton)	NBR				
G/R165	37303005			37301005				

Handle (M16)	art. nr.						
VII/165A Stainless Steel hand wheel	37309012						
VI/165K Stainless Steel hand wheel	37309009						
MEC/90 Stainless Steel hand wheel	37309007						
MEC/150 Nylon hand wheel	37309049						

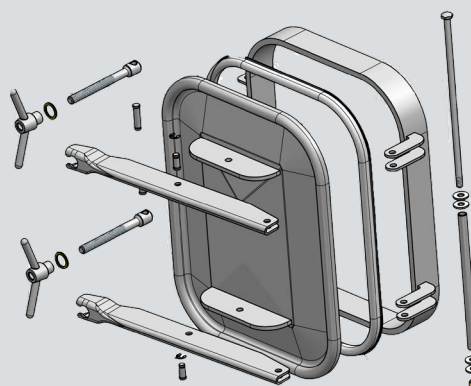
Available in AISI 304 and 316L, Gasket glued in cover. Not selfdraining cover. Stainless steel handle. "K" execution with safety nut and gradual opening system.

Material	temperature range
EPDM	-15° / 90°C
NBR	-30° / 110°C
MVQ (Silicone)	-50° / 200°C
FKM (Viton)	-10° / 250°C



H = Neck height  
 S1 = Thickness collar  
 S2 = Thickness cover  
 V = Hand wheel  
 G = Gasket

1500



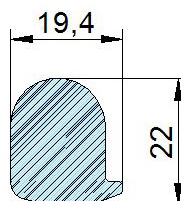
**INSPECTION DOOR RECTANGULAR WITH EPDM GASKET**

Type	L =...mm	W =...mm	H =...mm	S1 collar	S2 cover	P max	304	316
1500 - 1500/B	555	432	60	12	3	1 bar	373341500	373381500B
1501 - 1501/B	555	432	80	12	3	1 bar	373341501	373381501B
1502 - 1502/B	555	432	100	12	3	1 bar	373341502	373381502B
1500/E - 1500/E/B	551	428	60	8	2	0,6 bar	373341500E	373381500EB
1501/E - 1501/E/B	551	428	80	8	2	0,6 bar	373341501E	373381501EB
1502/E - 1502/E/B	551	428	100	8	2	0,6 bar	373341502E	373381502EB

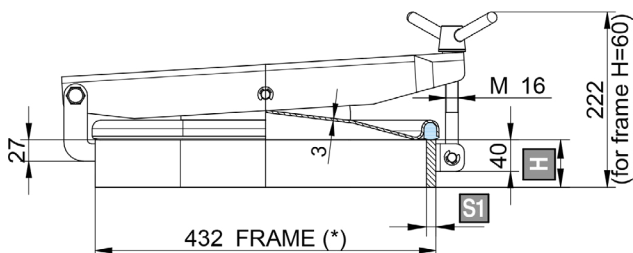
Gasket	EPDM	MVQ (Silicone)	FPM (Viton)	NBR				
G/1500	37303050	37305050	37304050	37301050				

Handle (M16)	art. nr.						
V/I/165A Stainless Steel hand wheel	37309012						
MEC/90 Stainless Steel hand wheel	37309007						
MEC/150 Nylon hand wheel	37309049						

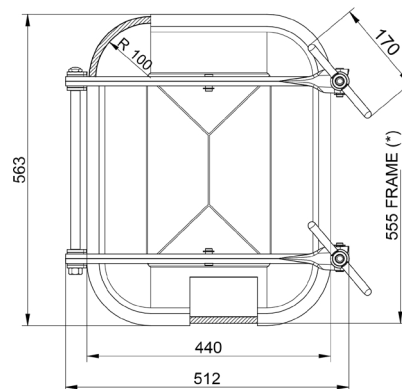
Available in AISI 304 and 316L, Gasket glued in cover. Not selfdraining cover. Stainless steel handle. "E" execution without bar between arms and with nylon hand wheel.



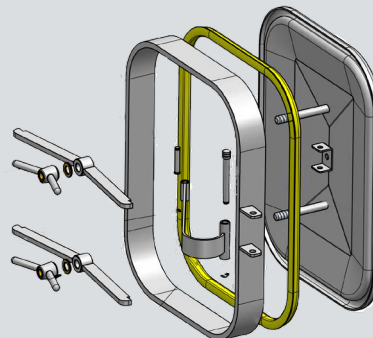
Material	temperature range
EPDM	-15° / 90°C
NBR	-30° / 110°C
MVQ (Silicone)	-50° / 200°C
FKM (Viton)	-10° / 250°C



H = Neck height  
 S1 = Thickness collar  
 S2 = Thickness cover  
 V = Hand wheel  
 G = Gasket



1500/AI



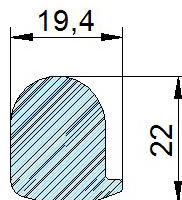
INSPECTION DOOR RECTANGULAR

Type	L =...mm	W =...mm	H =...mm	S1 collar	S2 cover	P max	304	316
1500/AI	432	555	60	12	3	1,2 bar	373341500AI	373381500AIB
1502/AI	432	555	100	12	3	1,2 bar	373341502AI	373381502AIB

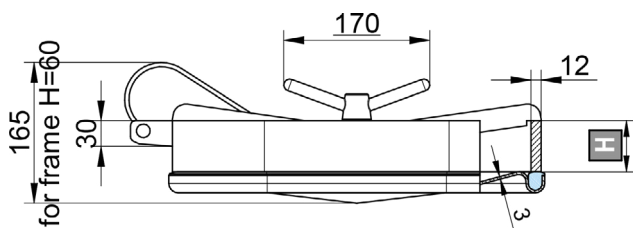
Gasket	EPDM	MVQ (Silicone)	FPM (Viton)	NBR				
G/1500	37303050	37305050	37304050	37301050				

Hand wheel (M16)	art. nr.							
V/I/165 Stainless Steel hand wheel	37309010							
MEC/80 Nylon hand wheel	37309003							

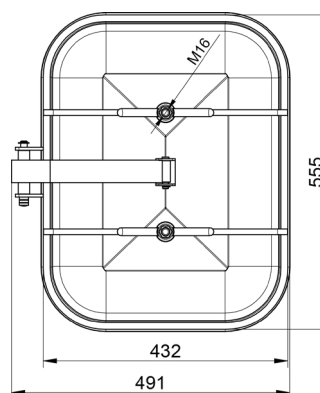
Available in AISI 304 and 316L. Stainless steel handle. Gasket clamped on cover. Inward opening.



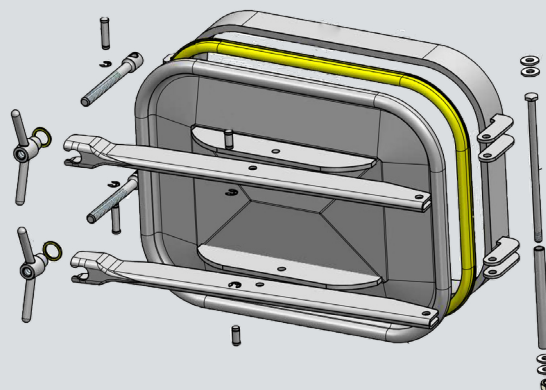
Material	temperature range
EPDM	-15° / 90°C
NBR	-30° / 110°C
MVQ (Silicone)	-50° / 200°C
FKM (Viton)	-10° / 250°C



H = Neck height  
 S1 = Thickness collar  
 S2 = Thickness cover  
 V = Hand wheel  
 G = Gasket



1600



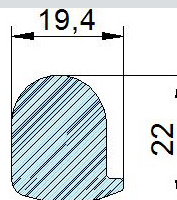
**INSPECTION DOOR RECTANGULAR WITH EPDM GASKET**

Type	L =...mm	W =...mm	H =...mm	S1 collar	S2 cover	P max	304	316
1600 - 1600/B	555	432	60	12	3	0,8 bar	373341600	373381600B
1601 - 1601/B	555	432	80	12	3	0,8 bar	373341601	373381601B
1602 - 1602/B	555	432	100	12	3	0,8 bar	373341602	373381602B
1603 - 1603/B	555	432	150	12	3	0,8 bar	373341603	373381603B
1600/E - 1600/E/B	551	428	60	8	2	0,5 bar	373341600E	373381600EB
1601/E - 1600/E/B	551	428	80	8	2	0,5 bar	373341601E	373381601EB
1602/E - 1602/E/B	551	428	100	8	2	0,5 bar	373341602E	373381602EB

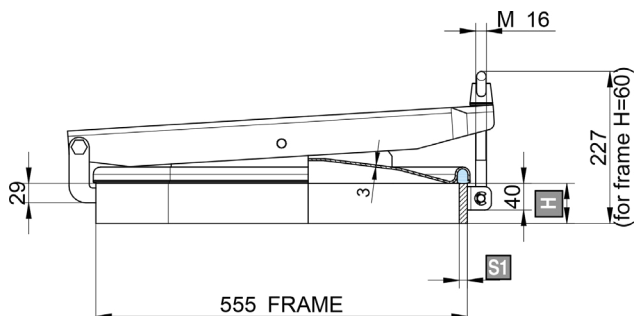
Gasket	EPDM	MVQ (Silicone)	FPM (Viton)	NBR				
G/1500	37303050	37305050	37304050	37301050				

Handle (M16)	art. nr.							
V/I/165A Stainless Steel hand wheel	37309012							
MEC/90 Stainless Steel hand wheel	37309007							
MEC/150 Nylon hand wheel	37309049							

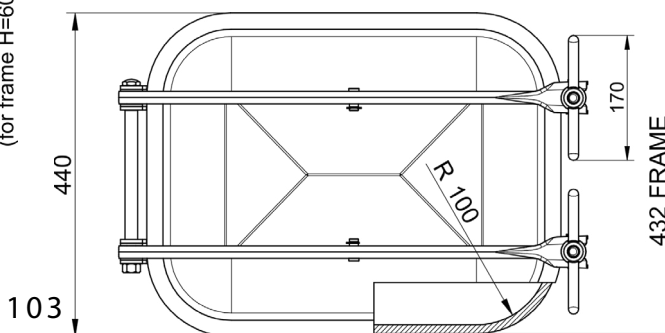
Available in AISI 304 and 316L, Gasket glued in cover. Not selfdraining cover. Stainless steel handle. "E" execution without bar between arms and with nylon hand wheel.



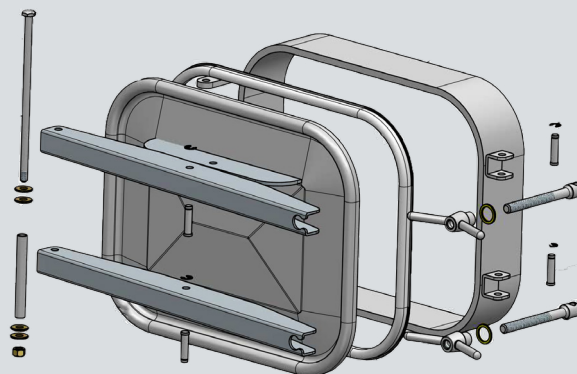
Material	temperature range
EPDM	-15° / 90°C
NBR	-30° / 110°C
MVQ (Silicone)	-50° / 200°C
FKM (Viton)	-10° / 250°C



H = Neck height  
 S1 = Thickness collar  
 S2 = Thickness cover  
 V = Hand wheel  
 G = Gasket



1700



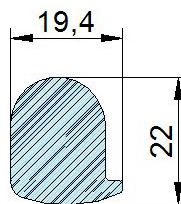
**INSPECTION DOOR RECTANGULAR**

Type	L =...mm	W =...mm	H =...mm	S1 collar	S2 cover	P max	304	316
1700 - 1700/B	555	432	60	12	3	0 / 1 bar	373341700	373381700B
1701 - 1701/B	555	432	80	12	3	0 / 1 bar	373341701	373381701B
1702 - 1702/B	555	432	100	12	3	0 / 1 bar	373341702	373381702B

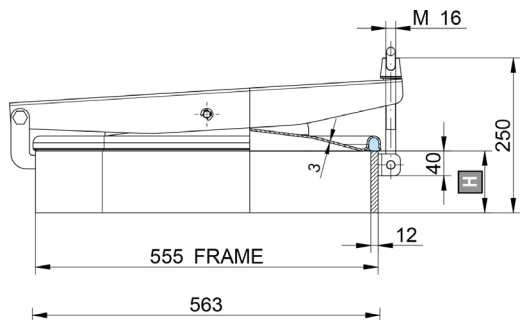
Gasket	EPDM	MVQ (Silicone)	FPM (Viton)	NBR				
G/1500	37303050	37305050	37304050	37301050				

Hand wheel (M16)	art. nr.							
V/I/165A Stainless Steel hand wheel	37309012							

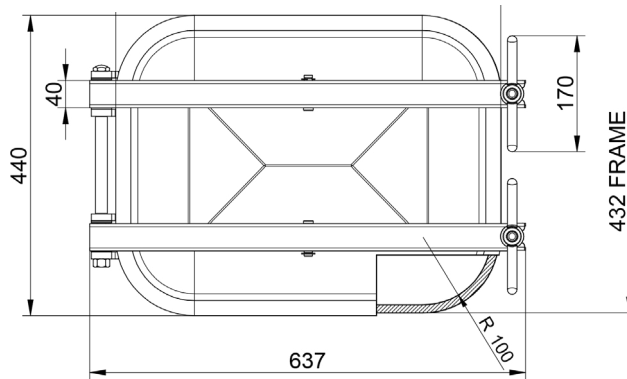
Available in AISI 304 and 316L. Stainless steel handle. Gasket clamped on cover. Outward opening.



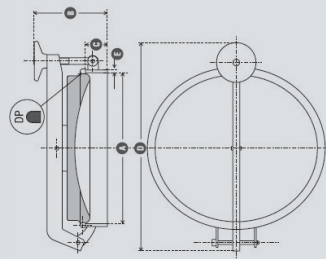
Material	temperature range
EPDM	-15° / 90°C
NBR	-30° / 110°C
MVQ (Silicone)	-50° / 200°C
FKM (Viton)	-10° / 250°C



H = Neck height  
 S1 = Thickness collar  
 S2 = Thickness cover  
 V = Hand wheel  
 G = Gasket



**P21**



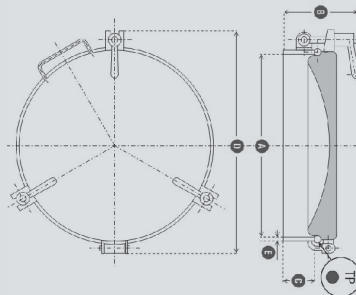
**INSPECTION DOOR OVAL WITH EPDM GASKET**

Type	A =...mm	B = ...mm	C =...mm	D = ... mm	E collar	P max	304	316
P21 - 503	307X442	170	60	429	8	0,3 bar	37533503B0	37536503B0
P21 - 507	442X307	200	80	567	8	0,3 bar	37533507B0	37536507B0

Gasket	EPDM	MVQ (Silicone)	FPM (Viton)	NBR				
P21 - 503	37503503B0	37505503B0	37504503B0	37501503B0				
P21 - 507	37503507B0	37505507B0	37504507B0	37501507B0				

Oval door free from dead spaces. Available in AISI 304 en 316L. Outside opening with hinge. Gasket glued on cover. Stainless steel hand wheel.

**P22**



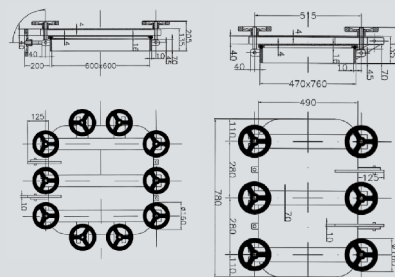
**INSPECTION DOOR ROUND WITH EPDM GASKET**

Type	A =...mm	B = ...mm	C =...mm	D = ... mm	E collar	nr. bolts	P max	304	316
P22 - 238	204	155	60	292	8	3	3,7 bar	37533238B0	37536238B0
P22 - 239	354	155	60	441	8	3	1,3 bar	37533239B0	37536239B0
P22 - 249	354	155	60	420	8	4	1,7 bar	37533249B0	37536249B0

Gasket	EPDM	MVQ (Silicone)	FPM (Viton)	NBR				
P22 - 238	37503238B0	37505238B0	37504238B0	37501238B0				
P22 - 239	37503239B0	37505239B0	37504239B0	37501239B0				
P22 - 249	37503239B0	37505239B0	37504239B0	37501239B0				

Oval door free from dead spaces. Available in AISI 304 en 316L. Outside opening with hinge. Gasket glued on cover. Stainless steel hand wheel.

**B1**



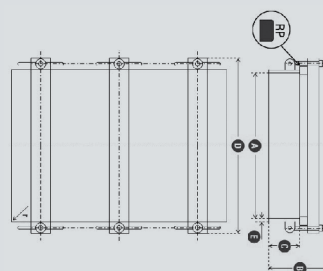
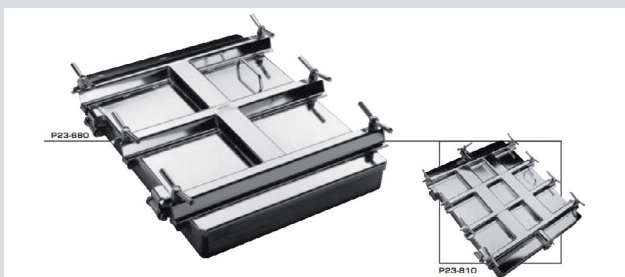
**INSPECTION DOOR RECTANGULAR MET EDPM GASKET**

Type	L =...mm	W =...mm	H =...mm	S1 collar	S2 cover	P max	304	316
B1 740x450	760	470	70	10	4	1 bar	374330B1LA	374360B1LA
B1 600x600	620	620	70	10	4	1 bar	374331B1LA	374361B1LA
B1 750x750	770	770	70	10	4	1 bar	374332B1LA	374362B1LA

Gasket	EPDM	MVQ (Silicone)	FPM (Viton)					
B1 740x450	374030B1LA	374050B1LA	374040B1LA					
B1 600x600	374031B1LA	374051B1LA	374041B1LA					
B1 750x750	374032B1LA	374052B1LA	374042B1LA					

Available in AISI 304 en 316L. Outside opening with hinge. Gasket glued on cover. Plastic hand wheel.

**P23**



**INSPECTION DOOR RECTANGULAR WITH EPDM GASKET**

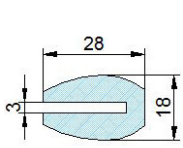
Type	A =...mm	B = ...mm	C =...mm	D = ... mm	E collar	P max	304	316
P23 680	600x800	141	80	530	10	0,8 bar	37533680B0	37536680B0
P23-810	800x1000	155	80	613	10	0,8 bar	37533810B0	37536810B0

Gasket	EPDM	MVQ (Silicone)	FPM (Viton)					
P23 680	37503680B0	37505680B0	37504680B0					
P23-810	37503810B0	37505810B0	37504810B0					

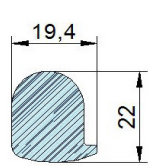
Available in AISI 304 en 316L. Outside opening with hinge. Gasket glued on cover. Stainless steel hand wheel.



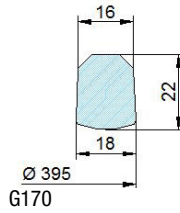
## Gaskets manwaydoors



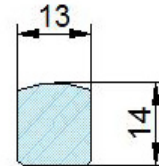
G15



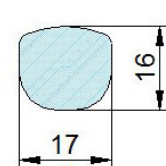
G1500



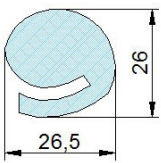
G170



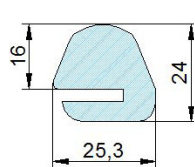
G200LKD



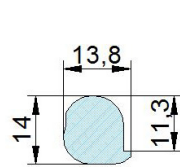
G200PES



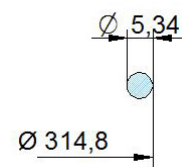
G200R



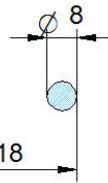
G200RP



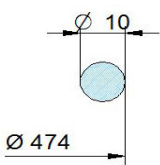
G295



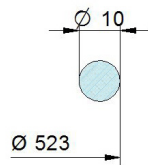
G300P



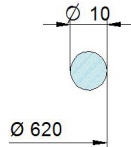
G400P



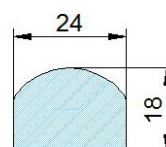
G450P



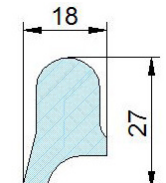
G500P



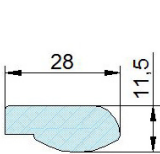
G600P



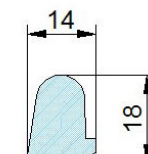
G6V250



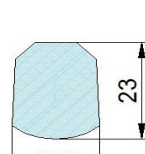
GAE



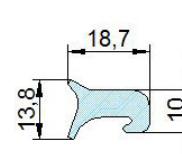
GNL250



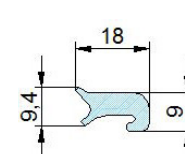
GP200



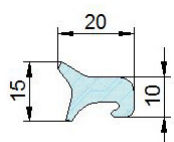
GR165



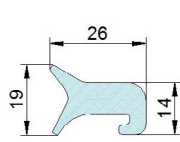
GT200



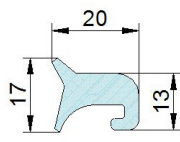
GT300



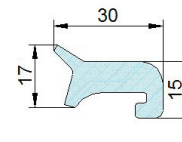
GT400



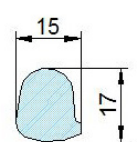
GT450



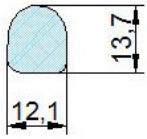
GT500



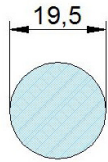
GT600



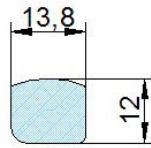
GTR300



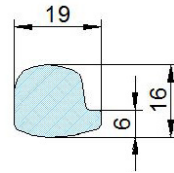
GZ175



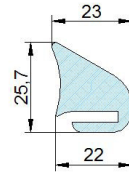
GTR500



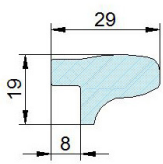
G480



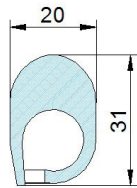
G630



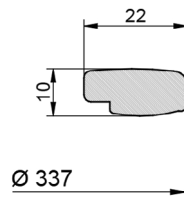
G800



400AZ/NL



400AZ/GN



GN 300

## GASKETS MANWAYDOORS

Type	For door type				EPDM	MVQ (Silicone)	FPM (Viton)	NBR
G/15	190	200			37303201	37305201	37304201	37301201
G/1500	1500	1600	1500/AI	1700	37303050	37305050	37304050	37301050
G/170	174/AE	170	180		37303200	37305200	37304200	37301200
G/200/LKD	200/LKD	200/LZD			37303202	37305202	37304202	37301202
G/200/PES	200/PES	200/K/PES	200Pesnodo		37303210	37305210	37304210	37301210
G/200/R	200/R				37303203	37305203	37304203	37301203
G/200/RP	200/RP				37303211	37305211	37304211	37301211
G/295	285	295			37303000	37305000	37304000	37301000
G/400/P	400/P	400L			37303240	37313240	37304240	37301240
G/450/P	450/P	450L			37303241	37313241	37304241	37301241
G/500/P	500/P	500L			37303242	37313242	37304242	37301242
G/600/P	600/P	600L			37303243	37313243	37304243	37301243
G/6V250	6V/250				37303020	37305020	37304020	37301020
G/AE	250	N/250	255		37303013	37305013	37304013	37301013
G/NL250	NL/250	N/240/4V	N/240		37303103	37305103	37304103	37301103
GP/200	230	235			37303101	37305101	37304101	37301101
GR/165	160	165	160/2B		37303007	37305007	37304007	37301007
GT/300	T1/300	3V/300			37303213	37305213	37304213	37301213
GT/450	TV/450	T/450	T1/(G)450	5V/450	37303105	37305105	37304105	37301105
GT/500	TV/500	T/500	T1/(G)500	6V/500	37303113	37305113	37304113	37301113
GT/600	TV/600	T/600	8V/600	T1/600	37303110	37305110	37304110	37301110
G/TR300	240	210			37303102	37305102	37304102	37301102
G/Z175	Z/175				37303025	37305025	37304025	37301025
TR/500	N/270	520			37303111	37305111	37304111	37301111
G/480	191				37303302	37305302	37304302	37301302
G/630	630				37303303	37305303	37304303	37301303
GT/400	4V/400	T1/(G)400			37303309	37305309	37304309	37301309
G/300P	300/P	300L			37303243	37305243	37304243	37301243
G/800	10V/800	T1/800			37303307	37305307	37304307	37301307
400 AZ/NL	400 AZ/NL				37303305	37305305	37304305	37301305
400 AZ/GN	400 AZ/GN				37303306	37305306	37304306	37301306
GT/200	3V200	N/230			37303308	37305308	37304308	37301308
GN/300	N/300				37303310	37305310	37304310	37301310

Material	temperature range
EPDM	-15° / 90°C
NBR	-30° / 110°C
MVQ (Silicone)	-50° / 200°C
FKM (Viton)	-10° / 250°C

**Hand wheels**



MEC/60



MEC/60Aí



MEC/70



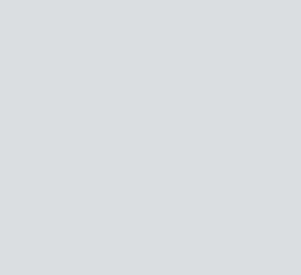
MEC/80



MEC/80A



MEC/80 INOX



MEC/80 BLU



MEC/90



MEC/150



MEC/150A



MEC/151



MEC/200



V/I/165 - V/I/170



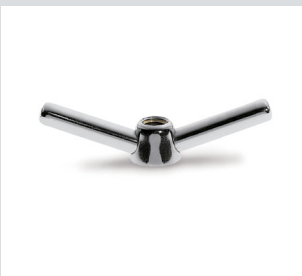
V/I/165A - V/I/175A - V/I/295A



V/I/165K - V/I/175K - V/I/295K



V/I/180



V/I/190



V/I/200



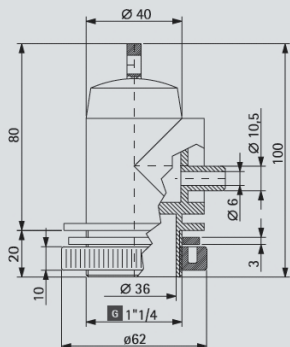
V/I/260



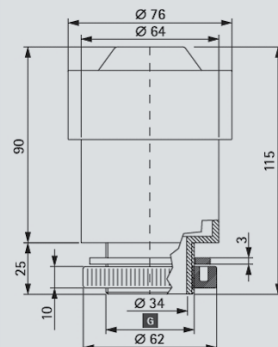
V/I/295

## HAND WHEELS

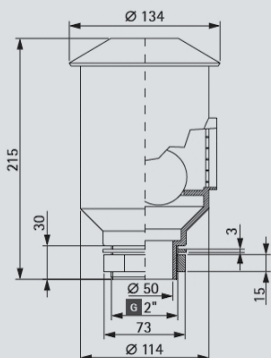
Type	Thread	Safety lock	safety nut	Diameter	Material	Art. nr.
MEC/60	M10	no	no	60mm	Nylon	37309001
MEC/60A	M10	yes	no	60mm	Nylon	37309002
MEC/70	M10	no	no	70mm	Nylon	37309089
MEC/80	M14	no	no	80mm	Nylon	37309003
MEC/80A	M14	yes	no	80mm	Nylon	37309004
MEC/80 INOX	M10	no	no	80mm	AISI 304	37309090
MEC/80 INOX	M12	no	no	80mm	AISI 304	37309091
MEC/80 INOX	M14	no	no	80mm	AISI 304	37309092
MEC/80 INOX	M16	no	no	80mm	AISI 304	37309093
MEC/80 BLU	m16	no	no	80mm	Nylon	37309095
MEC/90	M10	no	no	90mm	AISI 304	37309005
MEC/90	M14	no	no	90mm	AISI 304	37309007
MEC/90	M16	no	no	90mm	AISI 304	37309008
MEC/150	M14	no	no	150mm	Nylon	37309047
MEC/150	M16	no	no	150mm	Nylon	37309049
MEC/150A	M16	yes	no	150mm	Nylon	37309050
MEC/151	M16	no	no	150mm	Nylon/alu bush	37309051
MEC/200	M16	no	no	200mm	Nylon/alu bush	37309052
V/I/165	M16	no	no	-	AISI 304	37309010
V/I/165A	M16	yes	no	-	AISI 304	37309012
V/I/165K	M16	no	yes	-	AISI 304	37309009
V/I/170	M14	no	no	-	AISI 304	37309023
V/I/Z/175A	M14	yes	no	-	AISI 304	37309024
V/I/Z/175K	M14	no	yes	-	AISI 304	37309025
V/I/180	M16	no	no	-	AISI 304	37309027
V/I/190	M20	no	no	-	AISI 304	37309011
V/I/200	M10	no	no	-	AISI 304	37309094
V/I/260	M24	no	no	-	AISI 304	37309016
V/I/295	M10	no	no	-	AISI 304	37309013
V/I/295A	M10	yes	no	-	AISI 304	37309014
V/I/295K	M10	no	yes	-	AISI 304	37309015



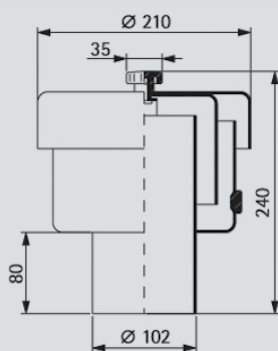
**A-10**



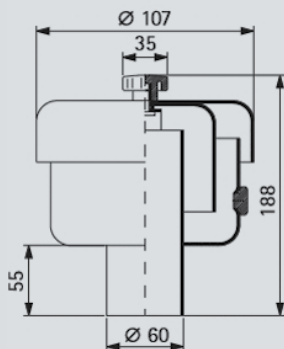
**A-20**



**A-30**



**A-40**



**A-50**

**VENTILATION**

Type	max. flow	Material	Thread	Art. Nr.
A-10	130 hl/h	Polietil.	1,25" BSP	37133512AL
A-20	400 hl/h	Polietil.	1,25" BSP	37133513AL
A-21	400 hl/h	Polietil.	1,5" BSP	37133517AL
A-30	800 hl/h	Polietil.	2" BSP	37133514AL
A-40	300 hl/h	AISI 304	60 mm tube	37133515AL
A-40/B	300 hl/h	AISI 316	60 mm tube	37136515AL
A-50	1000 hl/h	AISI 304	102 mm tube	37133516AL
A-50/B	1000 hl/h	AISI 316	102 mm tube	37136516AL